

FEATURES

Model LK940TS08L2S

- Two hole dual handle wall mount faucet
- Quarter turn ceramic disc cartridge
- 1/2" adjustable inlets with integral stops
- Solid brass construction
- Chrome finish
- 2.2 GPM VR aerator with 1.5 and .5 GPM inserts
- Includes spout swing restriction pin

Model LK940TS08T4S

- Same as LK940TS08L2S except with 4" wrist blades handles

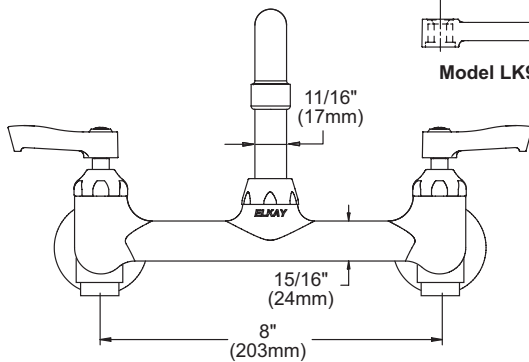
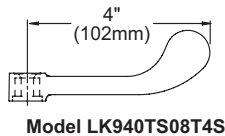
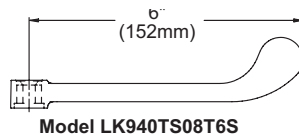
Model LK940TS08T6S

- Same as LK940TS08L2S except with 6" wrist blades handles

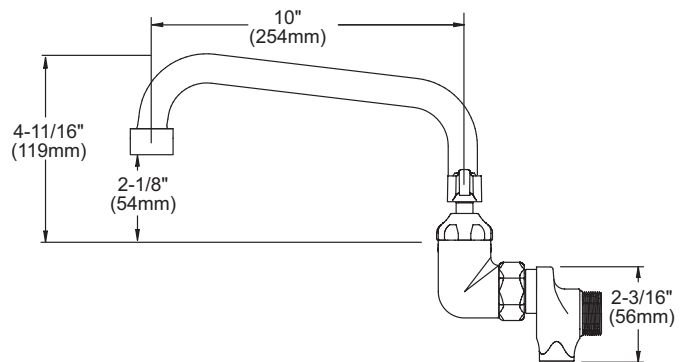
COMPLIES WITH:

- ASME/ANSI A112.18.1
- CSA B125-01
- NSF/ANSI 61 Annex G
- ADA
- UPC/CUPC
- IAPMO Listed
- Certified AB1953

Wall Mount 8" Center Commercial Faucet Models LK940TS08L2S, LK940TS08T4S, LK940TS08T6S



Model LK940TS08L2S
FRONT VIEW

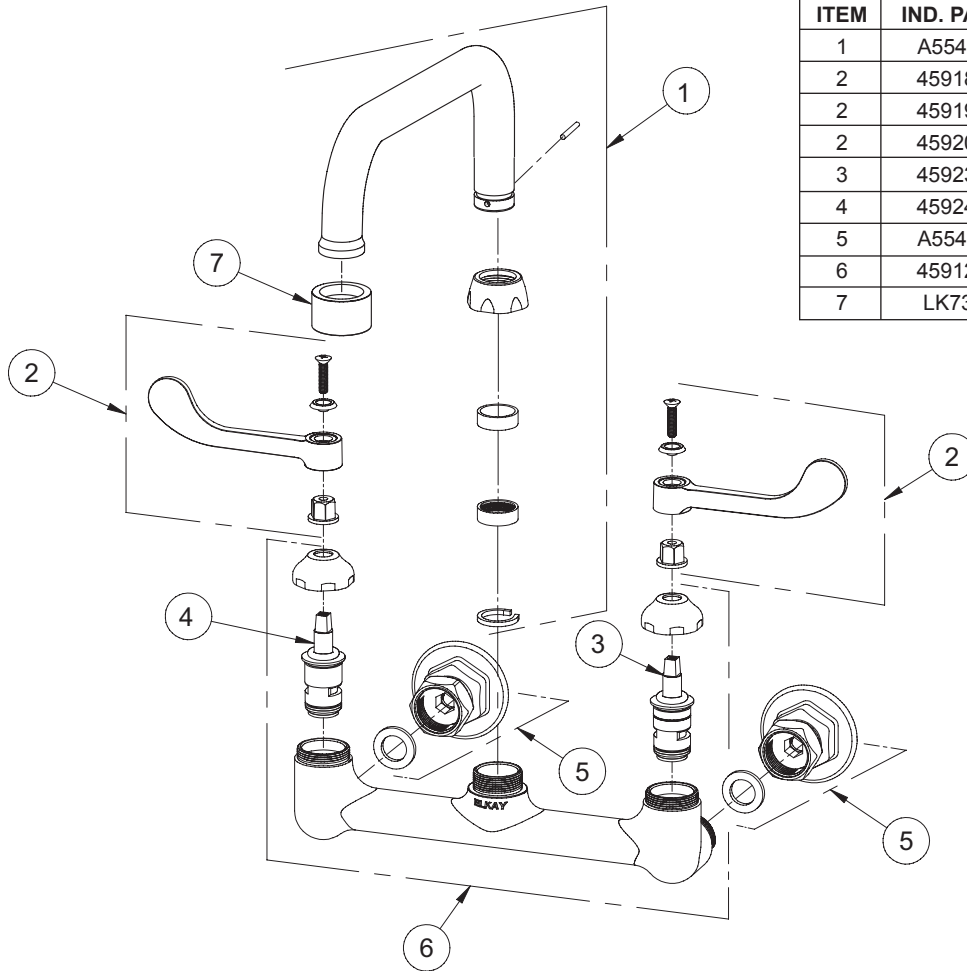


SIDE VIEW

Job Name:	Item #:
Notes:	
Architect/Engineer Approval:	Date:

SEE OTHER SIDE FOR REPLACEMENT PARTS

**Wall Mount 8" Center Commercial Faucet
Models LK940TS08L2S, LK940TS08T4S, LK940TS08T6S**



ITEM	IND. PART	DESCRIPTION
1	A55408	Spout
2	45918C	Handle, 2"
2	45919C	Handle, 4"
2	45920C	Handle, 6"
3	45923C	Right Cold Cartridge
4	45924C	Left Hot Cartridge
5	A55414	1/2" Offset Shutoff
6	45912C	Body
7	LK734	2.2 GPM VR Aerator