

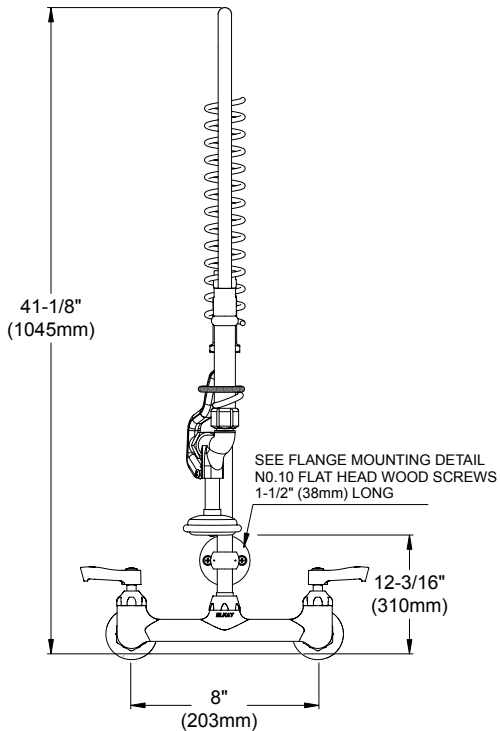
## Low Flow Wall Mount Pre-Rinse Commercial Faucet Model LK943LC

### FEATURES

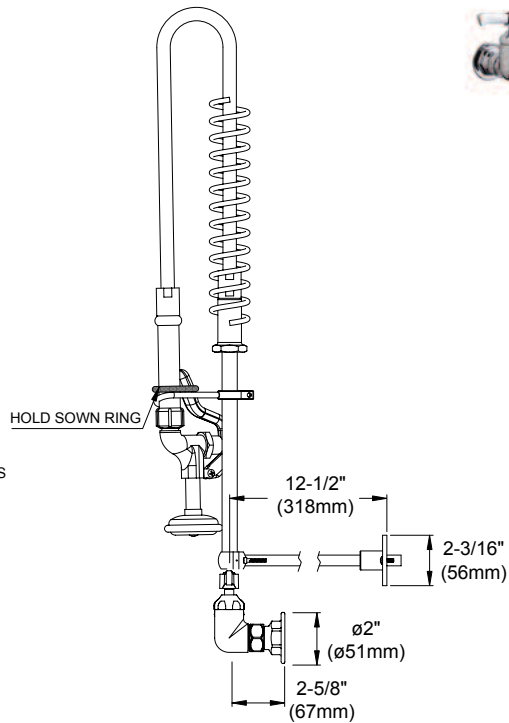
- Two hole dual handle wall mount faucet
- Quarter turn ceramic disc cartridge
- 1.2 GPM spray valve
- 1/2" adjustable inlets
- Solid brass construction
- Chrome finish
- Includes spout swing restriction pin

### COMPLIES WITH:

- ASME/ANSI A112.18.1
- CSA B125-01
- NSF/ANSI 61 Annex G
- ADA
- UPC/CUPC
- IAPMO Listed
- Certified AB1953



FRONT VIEW



SIDE VIEW

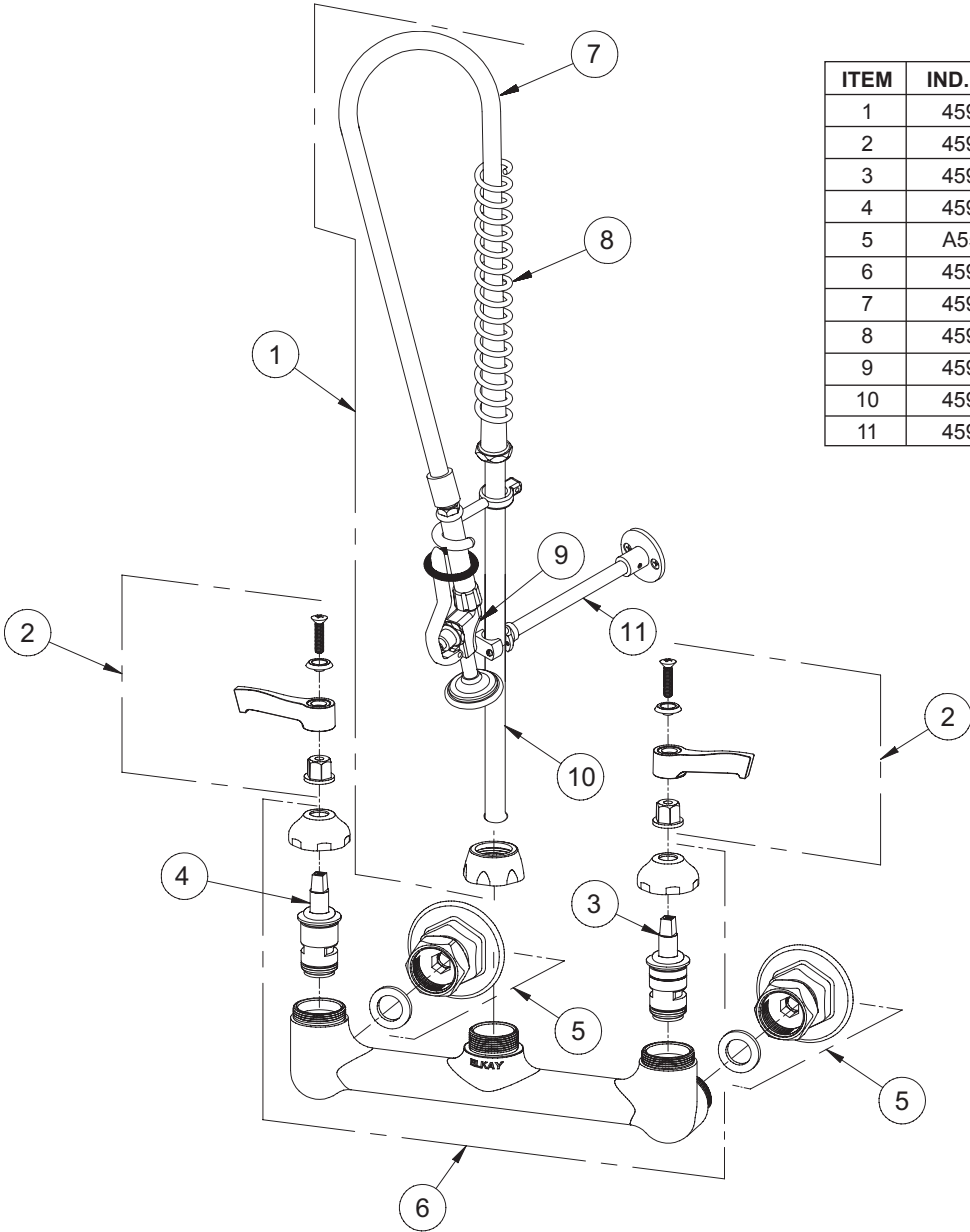
Job Name:	Item #:
Notes:	
Architect/Engineer Approval:	Date:

SEE OTHER SIDE FOR REPLACEMENT PARTS



# REPLACEMENT PARTS

## Low Flow Wall Mount Pre-Rinse Commercial Faucet Model LK943LC



ITEM	IND. PART	DESCRIPTION
1	45938C	Pre-Rinse Assembly
2	45918C	Handle, 2"
3	45923C	Right Cold Cartridge
4	45924C	Left Hot Cartridge
5	A55414	1/2" Offset Shutoff
6	45912C	Body
7	45943C	44" Hose
8	45944C	Spring
9	45942C	Spray Valve
10	45945C	Tall Riser
11	45946C	Support Rod