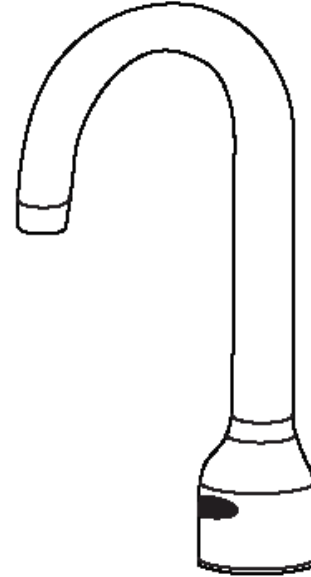


SPECIFICATIONS

GENERAL

LKB721C Sensor-operated, non-mixing deck-mounted gooseneck faucet with adjustable sensor eyes. A continuous beam is emitted from sensor and faucet is activated by user placing hands under the spout. Water will flow as long as hands remain within sensor range. When hands are removed, the water stops automatically based on the shut-off delay setting. The sensor then resets and is ready for the next user.

Chrome-plated solid brass construction with 2.0gpm laminar flow control on spout end. Includes water-resistant sensor control module and power cables. Features dual power options: AC plug-in and battery holder with four AA batteries. Slow-closing piston operated solenoid valve, in-line filter with clean out trap and flexible supply hose. Control circuit is solid state, has adjustable sensor range of 7/8"(22mm) to 6.75"(171mm), shut off delay preset at 1 second and field adjustable to 2 seconds (to prevent sink overflow).



Model LKB721C



This faucet is ADA compliant.

ELKAY FAUCET/WATER DISPENSERS LIMITED WARRANTY

Elkay warrants its faucet and water dispensers to be free of defects in workmanship and material for a period of one year from the date of purchase. Replacement parts are available from Elkay for a nominal charge. Upon return of a defective part to Elkay during the warranty period with written notice of the claimed defect, Elkay will refund the replacement charge.

WASTE FITTINGS AND ACCESSORIES ARE NOT WARRANTED; OTHER WARRANTY CONDITIONS:

Our warranty does not cover product failure caused by abusive treatment, misuse, or damage due to handling or faulty installations. This warranty is extended only to the original consumer purchaser of the product. This warranty does not cover shipping costs, labor costs, or any other charges for such items as installation or replacement of the sink, diagnosis or replacement of any faucet or component part, or any other expense or loss.

ALL INCIDENTAL OR CONSEQUENTIAL DAMAGES ARE SPECIFICALLY EXCLUDED. NO ADDITIONAL WARRANTIES, EXPRESS OR IMPLIED, ARE GIVEN. ANY IMPLIED WARRANTY, INCLUDING ONE OF MERCHANTABILITY OR FITNESS FOR A PARTICULAR PURPOSE, IS LIMITED TO THE DURATION OF THIS WRITTEN WARRANTY.

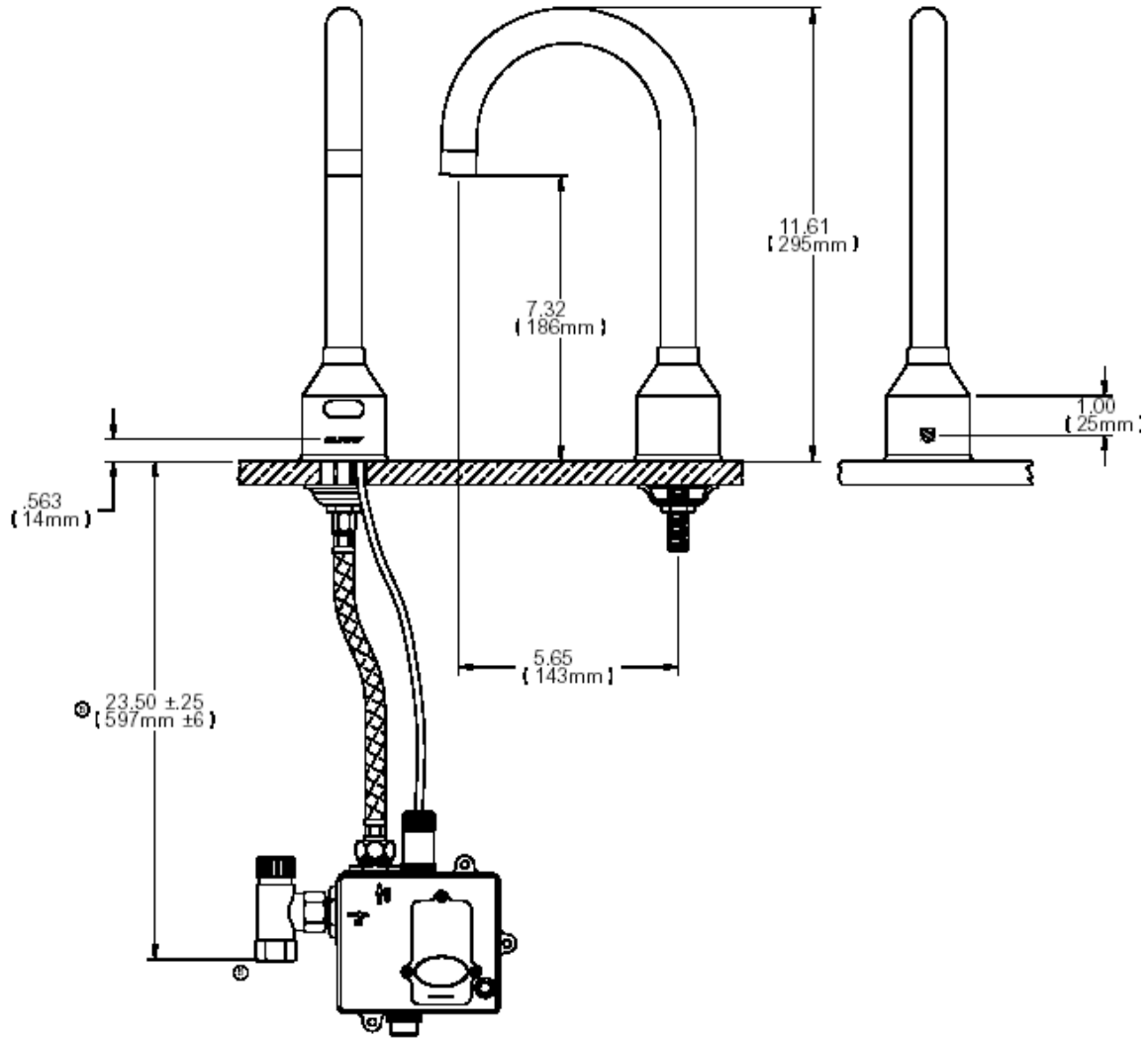
Some states do not allow the exclusion or limitation of incidental or consequential damages or limitations on how long an implied warranty lasts, so the above limitations or exclusions may not apply to you.

This warranty gives you specific legal rights, and you may also have other rights which vary from state to state.

TO OBTAIN SERVICE UNDER WARRANTY

1. Write to: Elkay Manufacturing Company
Attention: Consumer Service
2222 Camden Court
Oak Brook, Illinois 60523
2. Include a letter containing the following information:
 - a. Date of purchase and installation
 - b. Description of nature of defect
 - c. Model number or description of model and/or component part if possible.

PARTS LIST



PART NUMBER	NUMBER REQUIRED	PART DESCRIPTION
98539C	1	SOLENOID ASSEMBLY
98540C	1	PCB BOARD & SENSOR PLUG ASSEMBLY
98541C	1	SENSOR ASSEMBLY
98542C	1	AERATOR ASSEMBLY