

Item No.:	_____	Qty.:	_____
Model No.:	_____		
Project No.:	_____		



## Premium Spec-Line Series Work Table

*Premium Spec-Line Work Table, Backsplash with Stainless Steel Undershelf*

24"	30"	36"
<input type="checkbox"/> PSLWT24S18-BS	<input type="checkbox"/> PSLWT30S18-BS	<input type="checkbox"/> PSLWT36S18-BS
<input type="checkbox"/> PSLWT24S24-BS	<input type="checkbox"/> PSLWT30S24-BS	<input type="checkbox"/> PSLWT36S24-BS
<input type="checkbox"/> PSLWT24S30-BS	<input type="checkbox"/> PSLWT30S30-BS	<input type="checkbox"/> PSLWT36S30-BS
<input type="checkbox"/> PSLWT24S36-BS	<input type="checkbox"/> PSLWT30S36-BS	<input type="checkbox"/> PSLWT36S36-BS
<input type="checkbox"/> PSLWT24S48-BS	<input type="checkbox"/> PSLWT30S48-BS	<input type="checkbox"/> PSLWT36S48-BS
<input type="checkbox"/> PSLWT24S60-BS	<input type="checkbox"/> PSLWT30S60-BS	<input type="checkbox"/> PSLWT36S60-BS
<input type="checkbox"/> PSLWT24S72-BS	<input type="checkbox"/> PSLWT30S72-BS	<input type="checkbox"/> PSLWT36S72-BS
<input type="checkbox"/> PSLWT24S84-BS	<input type="checkbox"/> PSLWT30S84-BS	<input type="checkbox"/> PSLWT36S84-BS
<input type="checkbox"/> PSLWT24S96-BS	<input type="checkbox"/> PSLWT30S96-BS	<input type="checkbox"/> PSLWT36S96-BS
<input type="checkbox"/> PSLWT24S108-BS	<input type="checkbox"/> PSLWT30S108-BS	<input type="checkbox"/> PSLWT36S108-BS
<input type="checkbox"/> PSLWT24S120-BS	<input type="checkbox"/> PSLWT30S120-BS	<input type="checkbox"/> PSLWT36S120-BS
<input type="checkbox"/> PSLWT24S132-BS	<input type="checkbox"/> PSLWT30S132-BS	<input type="checkbox"/> PSLWT36S132-BS
<input type="checkbox"/> PSLWT24S144-BS	<input type="checkbox"/> PSLWT30S144-BS	<input type="checkbox"/> PSLWT36S144-BS

### Features

- 14 Gauge, 300 series stainless steel
- 4" Backsplash with 1" return
- Welded construction for consistent metal gauge thickness throughout
- Sound deadened between top and bottom hat channels with double sided tape
- 1-5/8" Stainless steel legs with stainless steel feet, adjustable up to 1"
- Fully adjustable stainless steel undershelf
- Shipped knocked down for reduced shipping costs and supplied with Allen wrench and screws

### Materials

- **Top:** 14 Gauge, 300 series stainless steel, 1-3/4" turned-down edge
- **Legs:** 1-5/8" Diameter heavy gauge stainless steel tubing with stainless steel leg gussets and stainless steel feet, adjustable up to 1"
- **Undershef:** 16 Gauge, 300 series stainless steel, 1-1/2" turned down edge, fully adjustable

### Options

- Custom Size / Height
- Cutout in Top (depending on size and location)
- Edge Modification
- Urn Trough
- Overshelves
- Undershelves
- Drawers
- Sink
- Splash
- Base Options
- Welded Set-Up
- Casters / Feet Upgrade

\* For additional available options, contact Elkay SSP



**AUTOQUOTES**



*In keeping with our policy of continuing product improvement, Elkay SSP reserves the right to change product specifications without notice.*

*This specification describes an Elkay SSP product with design, quality and functional benefits to the user. When making a comparison of other producers' offerings, be certain these features are not overlooked.*

### Elkay SSP

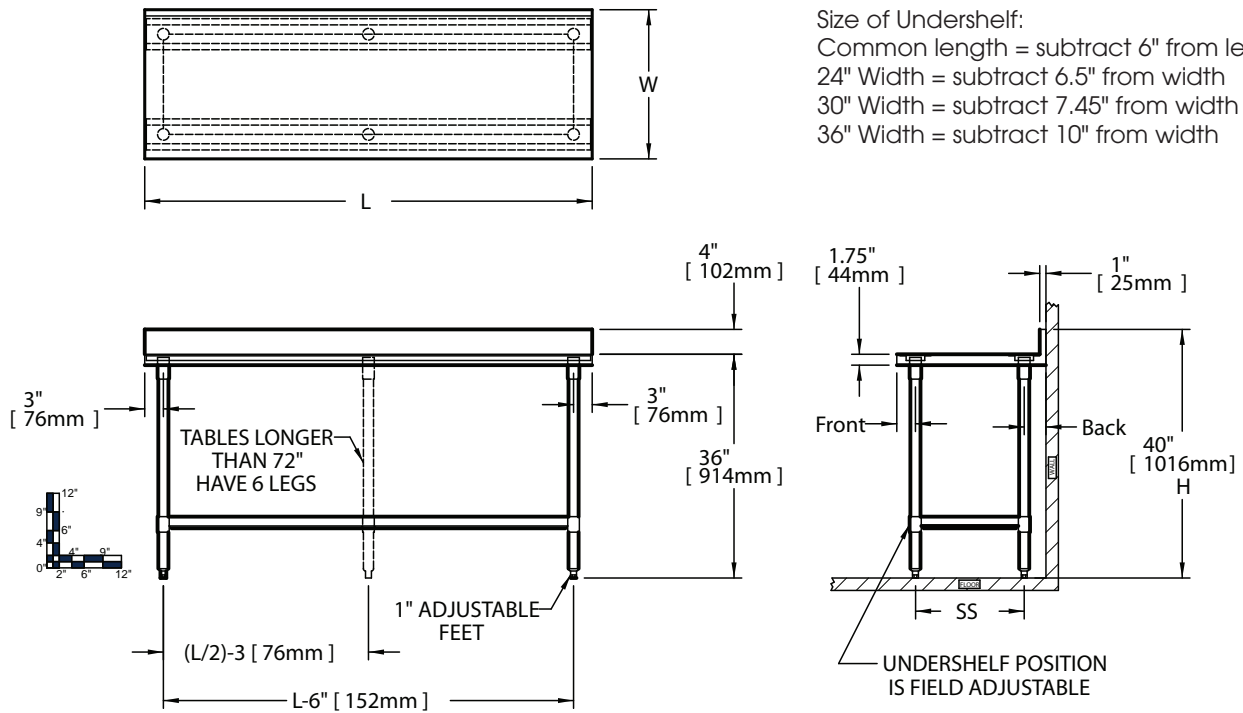
421 N. Freya St.  
Spokane, WA 99205  
Phone: 800-726-0553 Fax: 509-535-1493

Website: [www.sspinc.net](http://www.sspinc.net)  
Email: [sspsales@elkay.com](mailto:sspsales@elkay.com)

©2011 Elkay

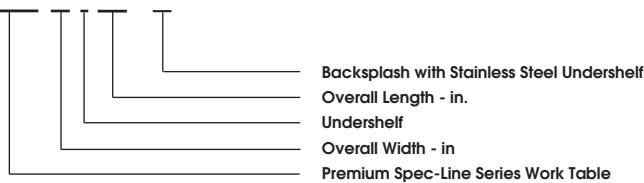


Item No.: \_\_\_\_\_ Qty.: \_\_\_\_\_  
 Model No.: \_\_\_\_\_  
 Project No.: \_\_\_\_\_



24" Work Table				30" Work Table				36" Work Table				Legs			
Model Number	Overall Size		Weight	Model Number	Overall Size		Weight	Model Number	Overall Size		Weight				
	Length	Height			Length	Height			Length	Height					
	L	H		L	H		L	H		L	H				
	in.	mm	lbs.   kg	in.	mm	lbs.   kg	in.	mm	lbs.   kg	in.	mm	lbs.   kg			
PSLWT 24 S 18 - BS	18	457	40   1016	71   32	PSLWT 30 S 18 - BS	18	762	40   1016	79   36	PSLWT 36 S 18 - BS	18	914	40   1016	89   40	4
PSLWT 24 S 24 - BS	24	610	40   1016	83   38	PSLWT 30 S 24 - BS	24	914	40   1016	92   42	PSLWT 36 S 24 - BS	24	1219	40   1016	105   48	4
PSLWT 24 S 30 - BS	30	762	40   1016	95   43	PSLWT 30 S 30 - BS	30	762	40   1016	104   47	PSLWT 36 S 30 - BS	30	1524	40   1016	120   55	4
PSLWT 24 S 36 - BS	36	914	40   1016	110   50	PSLWT 30 S 36 - BS	36	914	40   1016	124   56	PSLWT 36 S 36 - BS	36	914	40   1016	141   64	4
PSLWT 24 S 48 - BS	48	1219	40   1016	135   61	PSLWT 30 S 48 - BS	48	1219	40   1016	151   69	PSLWT 36 S 48 - BS	48	1219	40   1016	173   79	4
PSLWT 24 S 60 - BS	60	1524	40   1016	164   75	PSLWT 30 S 60 - BS	60	1524	40   1016	184   84	PSLWT 36 S 60 - BS	60	1524	40   1016	211   96	4
PSLWT 24 S 72 - BS	72	1829	40   1016	189   86	PSLWT 30 S 72 - BS	72	1829	40   1016	211   96	PSLWT 36 S 72 - BS	72	1829	40   1016	243   110	4
PSLWT 24 S 84 - BS	84	2134	40   1016	229   104	PSLWT 30 S 84 - BS	84	2134	40   1016	255   116	PSLWT 36 S 84 - BS	84	2134	40   1016	292   133	6
PSLWT 24 S 96 - BS	96	2438	40   1016	254   115	PSLWT 30 S 96 - BS	96	2438	40   1016	284   129	PSLWT 36 S 96 - BS	96	2438	40   1016	325   148	6
PSLWT 24 S 108 - BS	108	2743	40   1016	287   130	PSLWT 30 S 108 - BS	108	2743	40   1016	320   145	PSLWT 36 S 108 - BS	108	2743	40   1016	366   166	6
PSLWT 24 S 120 - BS	120	3048	40   1016	313   142	PSLWT 30 S 120 - BS	120	3048	40   1016	349   159	PSLWT 36 S 120 - BS	120	3048	40   1016	399   181	6
PSLWT 24 S 132 - BS	132	3353	40   1016	347   158	PSLWT 30 S 132 - BS	132	2743	40   1016	386   175	PSLWT 36 S 132 - BS	132	2743	40   1016	442   201	6
PSLWT 24 S 144 - BS	144	3658	40   1016	372   169	PSLWT 30 S 144 - BS	144	3048	40   1016	415   189	PSLWT 36 S 144 - BS	144	3048	40   1016	475   216	6

\* Custom sizes also available



Elkay SSP  
 421 N. Freya St.  
 Spokane, WA 99205  
 Phone: 800-726-0553 Fax: 509-535-1493

Website: www.sspinc.net  
 Email: sspsales@elkay.com  
 ©2011 Elkay