

Item No.:	_____	Qty.:	_____
Model No.:	_____		
Project No.:	_____		

## Premium Spec-Line Series Work Table

*Premium Spec-Line Work Table, Flat Top with Stainless Steel Undershef*



### 24"

- PSLWT24S18-ST5
- PSLWT24S24-ST5
- PSLWT24S30-ST5
- PSLWT24S36-ST5
- PSLWT24S48-ST5
- PSLWT24S60-ST5
- PSLWT24S72-ST5
- PSLWT24S84-ST5
- PSLWT24S96-ST5
- PSLWT24S108-ST5
- PSLWT24S120-ST5
- PSLWT24S132-ST5
- PSLWT24S144-ST5

### 30"

- PSLWT30S18-ST5
- PSLWT30S24-ST5
- PSLWT30S30-ST5
- PSLWT30S36-ST5
- PSLWT30S48-ST5
- PSLWT30S60-ST5
- PSLWT30S72-ST5
- PSLWT30S84-ST5
- PSLWT30S96-ST5
- PSLWT30S108-ST5
- PSLWT30S120-ST5
- PSLWT30S132-ST5
- PSLWT30S144-ST5

### 36"

- PSLWT36S18-ST5
- PSLWT36S24-ST5
- PSLWT36S30-ST5
- PSLWT36S36-ST5
- PSLWT36S48-ST5
- PSLWT36S60-ST5
- PSLWT36S72-ST5
- PSLWT36S84-ST5
- PSLWT36S96-ST5
- PSLWT36S108-ST5
- PSLWT36S120-ST5
- PSLWT36S132-ST5
- PSLWT36S144-ST5

## Features

- 14 Gauge, 300 series stainless steel
- Welded construction for consistent metal gauge thickness throughout
- Sound deadened between top and bottom hat channels with double sided tape
- 1-5/8" Stainless steel legs and feet, adjustable up to 1"
- Fully adjustable stainless steel undershef
- Shipped knocked down for reduced shipping costs and supplied with Allen wrench and screws

## Options

- Custom Size / Height
- Cutout in Top (depending on size and location)
- Edge Modification
- Urn Trough
- Overshelves
- Undershelves
- Drawers
- Sink
- Splash
- Base Options
- Welded Set-Up
- Casters / Feet Upgrade

\* For additional available options, contact Elkay SSP

## Materials

- **Top:** 14 Gauge, 300 series stainless steel, 1-3/4" turned-down edge
- **Legs:** 1-5/8" Diameter heavy gauge stainless steel tubing with stainless steel leg gussets and stainless steel feet, adjustable up to 1"
- **Undershef:** 16 Gauge, 300 series stainless steel, 1-1/2" turned-down edge, fully adjustable



**AUTOQUOTES**



*In keeping with our policy of continuing product improvement, Elkay SSP reserves the right to change product specifications without notice.*

*This specification describes an Elkay SSP product with design, quality and functional benefits to the user. When making a comparison of other producers' offerings, be certain these features are not overlooked.*

### Elkay SSP

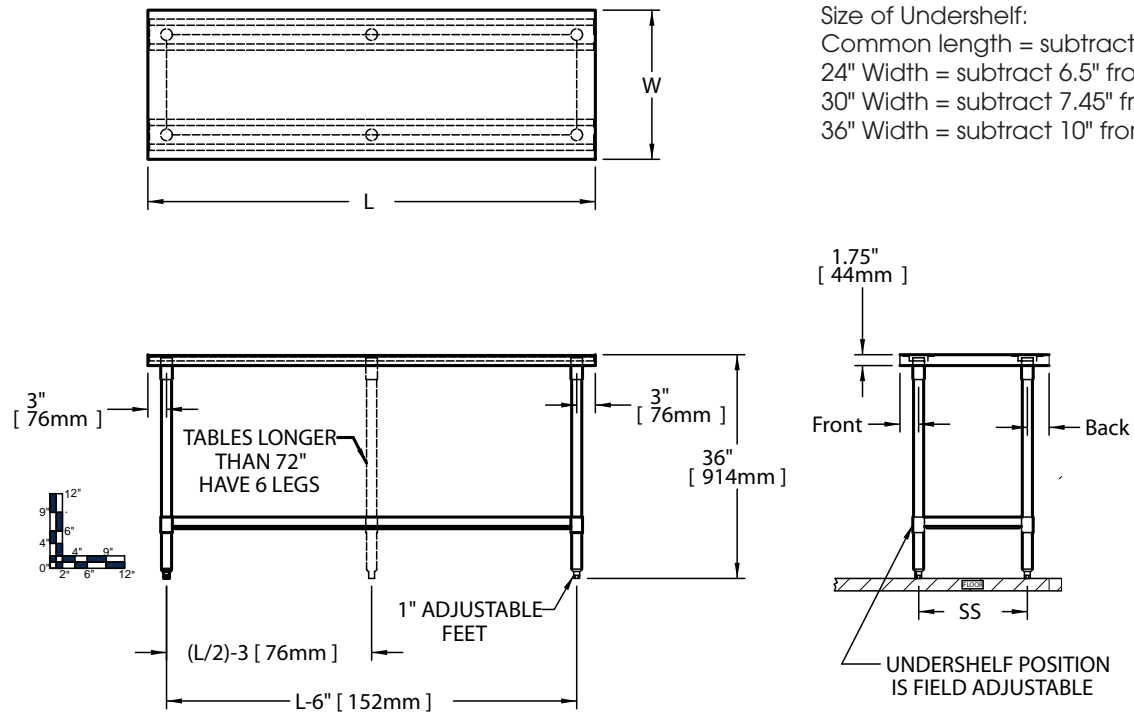
421 N. Freya St.  
Spokane, WA 99205  
Phone: 800-726-0553 Fax: 509-535-1493

Website: [www.sspinc.net](http://www.sspinc.net)  
Email: [sspsales@elkay.com](mailto:sspsales@elkay.com)

©2011 Elkay

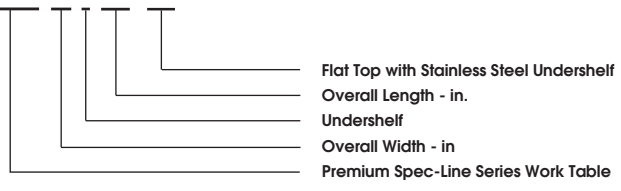


Item No.: \_\_\_\_\_ Qty.: \_\_\_\_\_  
 Model No.: \_\_\_\_\_  
 Project No.: \_\_\_\_\_



24" Work Table					30" Work Table					36" Work Table											
Model Number	Overall Size		Weight		Model Number	Overall Size		Weight		Model Number	Overall Size		Weight		Legs						
	Length	Height	lbs.	kg		Length	Height	lbs.	kg		Length	Height	lbs.	kg							
	L	H				L	H				L	H									
	in.	mm	in.	mm		in.	mm	in.	mm		in.	mm	in.	mm							
PSLWT 24 S 18 -STS	18	457	36	914	69	31	PSLWT 30 S 18 -STS	18	762	36	914	77	35	PSLWT 36 S 18 -STS	18	914	36	914	87	40	4
PSLWT 24 S 24 -STS	24	610	36	914	80	36	PSLWT 30 S 24 -STS	24	914	36	914	90	41	PSLWT 36 S 24 -STS	24	1219	36	914	102	46	4
PSLWT 24 S 30 -STS	30	762	36	914	92	42	PSLWT 30 S 30 -STS	30	762	36	914	104	47	PSLWT 36 S 30 -STS	30	1524	36	914	118	54	4
PSLWT 24 S 36 -STS	36	914	36	914	107	49	PSLWT 30 S 36 -STS	36	914	36	914	120	55	PSLWT 36 S 36 -STS	36	914	36	914	138	63	4
PSLWT 24 S 48 -STS	48	1219	36	914	131	60	PSLWT 30 S 48 -STS	48	1219	36	914	147	67	PSLWT 36 S 48 -STS	48	1219	36	914	169	77	4
PSLWT 24 S 60 -STS	60	1524	36	914	159	72	PSLWT 30 S 60 -STS	60	1524	36	914	179	81	PSLWT 36 S 60 -STS	60	1524	36	914	206	94	4
PSLWT 24 S 72 -STS	72	1829	36	914	184	84	PSLWT 30 S 72 -STS	72	1829	36	914	206	94	PSLWT 36 S 72 -STS	72	1829	36	914	238	108	4
PSLWT 24 S 84 -STS	84	2134	36	914	223	101	PSLWT 30 S 84 -STS	84	2134	36	914	249	113	PSLWT 36 S 84 -STS	84	2134	36	914	286	130	6
PSLWT 24 S 96 -STS	96	2438	36	914	248	113	PSLWT 30 S 96 -STS	96	2438	36	914	277	126	PSLWT 36 S 96 -STS	96	2438	36	914	318	145	6
PSLWT 24 S 108 -STS	108	2743	36	914	280	127	PSLWT 30 S 108 -STS	108	2743	36	914	313	142	PSLWT 36 S 108 -STS	108	2743	36	914	359	163	6
PSLWT 24 S 120 -STS	120	3048	36	914	305	139	PSLWT 30 S 120 -STS	120	3048	36	914	341	155	PSLWT 36 S 120 -STS	120	3048	36	914	392	178	6
PSLWT 24 S 132 -STS	132	3353	36	914	338	154	PSLWT 30 S 132 -STS	132	2743	36	914	378	172	PSLWT 36 S 132 -STS	132	2743	36	914	434	197	6
PSLWT 24 S 144 -STS	144	3658	36	914	363	165	PSLWT 30 S 144 -STS	144	3048	36	914	406	185	PSLWT 36 S 144 -STS	144	3048	36	914	466	212	6

\* Custom sizes also available



**Elkay SSP**  
 421 N. Freya St.  
 Spokane, WA 99205  
 Phone: 800-726-0553 Fax: 509-535-1493

Website: [www.sspinc.net](http://www.sspinc.net)  
 Email: [sspsales@elkay.com](mailto:sspsales@elkay.com)  
 ©2011 Elkay