

Item No.:	_____	Qty.:	_____
Model No.:	_____		
Project No.:	_____		



## Poly Top Work Table

*Poly Top Work Table, Flat Backsplash with Stainless Steel Undershef*

24"	30"	36"
<input type="checkbox"/> PT24S36-BS	<input type="checkbox"/> PT30S36-BS	<input type="checkbox"/> PT36S36-BS
<input type="checkbox"/> PT24S48-BS	<input type="checkbox"/> PT30S48-BS	<input type="checkbox"/> PT36S48-BS
<input type="checkbox"/> PT24S60-BS	<input type="checkbox"/> PT30S60-BS	<input type="checkbox"/> PT36S60-BS
<input type="checkbox"/> PT24S72-BS	<input type="checkbox"/> PT30S72-BS	<input type="checkbox"/> PT36S72-BS
<input type="checkbox"/> PT24S84-BS	<input type="checkbox"/> PT30S84-BS	<input type="checkbox"/> PT36S84-BS
<input type="checkbox"/> PT24S96-BS	<input type="checkbox"/> PT30S96-BS	<input type="checkbox"/> PT36S96-BS
<input type="checkbox"/> PT24S108-BS	<input type="checkbox"/> PT30S108-BS	<input type="checkbox"/> PT36S108-BS
<input type="checkbox"/> PT24S120-BS	<input type="checkbox"/> PT30S120-BS	<input type="checkbox"/> PT36S120-BS

## Features

- 5/8" Thick, high density, polyethylene top
- 4" Backsplash with no return
- Welded construction for consistent metal gauge thickness throughout
- Sound deadened between top and bottom hat channels with double sided tape
- 1-5/8" Stainless steel legs and feet, adjustable up to 1"
- Stainless steel undershef, fixed for added stability

## Materials

- **Top:** 5/8" Thick, high density, polyethylene
- **Legs:** 1-5/8" Diameter heavy gauge stainless steel tubing with stainless steel leg gussets and stainless steel feet, adjustable up to 1"
- **Undershef:** 18 Gauge, 400 series stainless steel

## Options

- Custom Size / Height
- Cutout in Top (depending on size and location)
- Edge Modification
- Urn Trough
- Overshelves
- Undershelves
- Drawers
- Sink
- Splash
- Base Options
- Welded Set-Up
- Casters / Feet Upgrade

\* For additional available options, contact Elkay SSP



**AUTOQUOTES**



*In keeping with our policy of continuing product improvement, Elkay SSP reserves the right to change product specifications without notice.*

*This specification describes an Elkay SSP product with design, quality and functional benefits to the user. When making a comparison of other producers' offerings, be certain these features are not overlooked.*

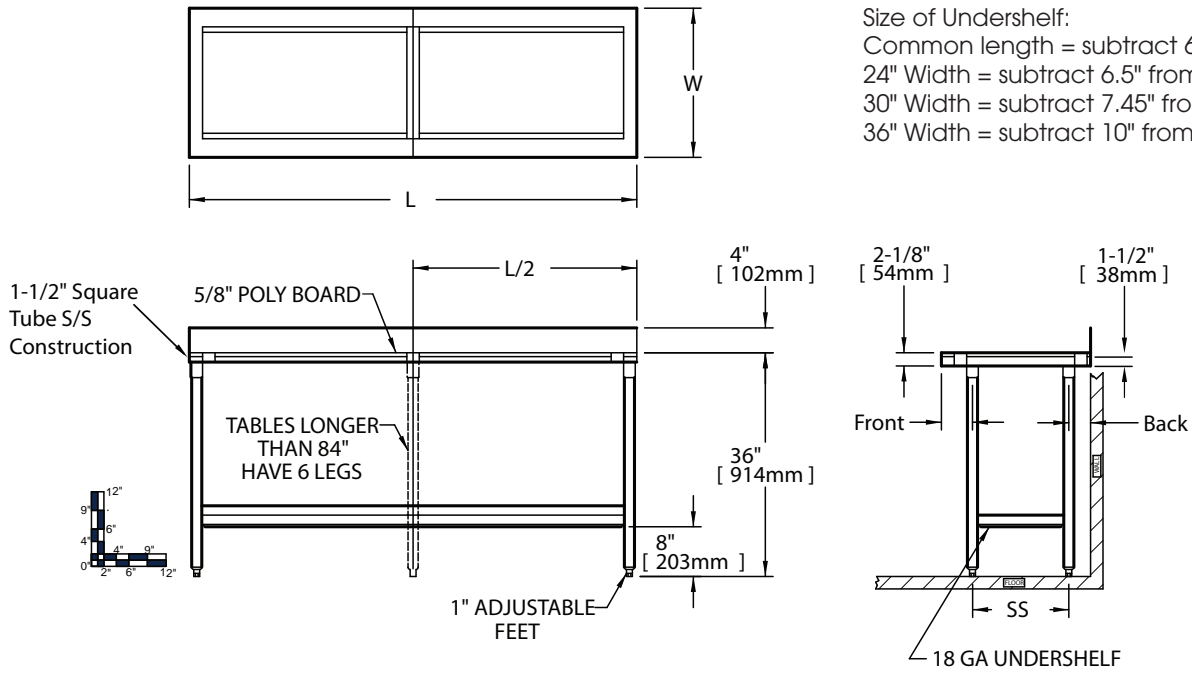
### Elkay SSP

421 N. Freya St.  
Spokane, WA 99205  
Phone: 800-726-0553 Fax: 509-535-1493

Website: [www.sspinc.net](http://www.sspinc.net)  
Email: [sspsales@elkay.com](mailto:sspsales@elkay.com)  
©2011 Elkay



Item No.: \_\_\_\_\_ Qty.: \_\_\_\_\_  
 Model No.: \_\_\_\_\_  
 Project No.: \_\_\_\_\_



24" Work Table					30" Work Table					36" Work Table					Legs						
Model Number	Overall Size		Weight		Model Number	Overall Size		Weight		Model Number	Overall Size		Weight								
	Length	Height				Length	Height				Length	Height									
	L	H	lbs.	kg		L	H	lbs.	kg		L	H	lbs.	kg							
	in.	mm	in.	mm		in.	mm	in.	mm		in.	mm	in.	mm	lbs.	kg					
PT 24 S 36 - BS	36	914	40	1016	100	45	PT 30 S 36 - BS	36	914	40	1016	112	51	PT 36 S 36 - BS	36	914	40	1016	124	56	4
PT 24 S 48 - BS	48	1219	40	1016	121	55	PT 30 S 48 - BS	48	1219	40	1016	135	61	PT 36 S 48 - BS	48	1219	40	1016	149	68	4
PT 24 S 60 - BS	60	1524	40	1016	150	68	PT 30 S 60 - BS	60	1524	40	1016	168	76	PT 36 S 60 - BS	60	1524	40	1016	186	85	4
PT 24 S 72 - BS	72	1829	40	1016	171	78	PT 30 S 72 - BS	72	1829	40	1016	192	87	PT 36 S 72 - BS	72	1829	40	1016	212	97	4
PT 24 S 84 - BS	84	2134	40	1016	206	94	PT 30 S 84 - BS	84	2134	40	1016	231	105	PT 36 S 84 - BS	84	2134	40	1016	255	116	6
PT 24 S 96 - BS	96	2438	40	1016	228	104	PT 30 S 96 - BS	96	2438	40	1016	255	116	PT 36 S 96 - BS	96	2438	40	1016	282	128	6
PT 24 S 108 - BS	108	2743	40	1016	259	118	PT 30 S 108 - BS	108	2743	40	1016	289	131	PT 36 S 108 - BS	108	2743	40	1016	319	145	6
PT 24 S 120 - BS	120	3048	40	1016	281	128	PT 30 S 120 - BS	120	3048	40	1016	314	143	PT 36 S 120 - BS	120	3048	40	1016	346	157	6

\* Custom sizes also available

