

Item No.:	_____	Qty.:	_____
Model No.:	_____		
Project No.:	_____		



Poly Top Work Table

Poly Top Work Table, Flat Top with Stainless Steel Undershef

- | 24" | 30" | 36" |
|---------------------------------------|---------------------------------------|---------------------------------------|
| <input type="checkbox"/> PT24S36-ST5 | <input type="checkbox"/> PT30S36-ST5 | <input type="checkbox"/> PT36S36-ST5 |
| <input type="checkbox"/> PT24S48-ST5 | <input type="checkbox"/> PT30S48-ST5 | <input type="checkbox"/> PT36S48-ST5 |
| <input type="checkbox"/> PT24S60-ST5 | <input type="checkbox"/> PT30S60-ST5 | <input type="checkbox"/> PT36S60-ST5 |
| <input type="checkbox"/> PT24S72-ST5 | <input type="checkbox"/> PT30S72-ST5 | <input type="checkbox"/> PT36S72-ST5 |
| <input type="checkbox"/> PT24S84-ST5 | <input type="checkbox"/> PT30S84-ST5 | <input type="checkbox"/> PT36S84-ST5 |
| <input type="checkbox"/> PT24S96-ST5 | <input type="checkbox"/> PT30S96-ST5 | <input type="checkbox"/> PT36S96-ST5 |
| <input type="checkbox"/> PT24S108-ST5 | <input type="checkbox"/> PT30S108-ST5 | <input type="checkbox"/> PT36S108-ST5 |
| <input type="checkbox"/> PT24S120-ST5 | <input type="checkbox"/> PT30S120-ST5 | <input type="checkbox"/> PT36S120-ST5 |

Features

- 5/8" Thick, high density, polyethylene top
- Welded construction for consistent metal gauge thickness throughout
- Sound deadened between top and bottom hat channels with double sided tape
- 1-5/8" Stainless steel legs and feet, adjustable up to 1"
- Stainless steel undershef, fixed for added stability

Options

- Custom Size / Height
- Cutout in Top (depending on size and location)
- Edge Modification
- Urn Trough
- Overshelves
- Undershelves
- Drawers
- Sink
- Splash
- Base Options
- Welded Set-Up
- Casters / Feet Upgrade

* For additional available options, contact Elkay SSP

Materials

- **Top:** 5/8" Thick, high density, polyethylene
- **Legs:** 1-5/8" Diameter heavy gauge stainless steel tubing with stainless steel leg gussets and stainless steel feet, adjustable up to 1"
- **Undershef:** 18 Gauge, 400 series, stainless steel, fixed



AUTOQUOTES



In keeping with our policy of continuing product improvement, Elkay SSP reserves the right to change product specifications without notice.

This specification describes an Elkay SSP product with design, quality and functional benefits to the user. When making a comparison of other producers' offerings, be certain these features are not overlooked.

Elkay SSP

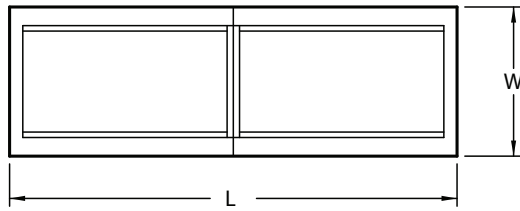
421 N. Freya St.
Spokane, WA 99205
Phone: 800-726-0553 Fax: 509-535-1493

Website: www.sspinc.net
Email: sspsales@elkay.com

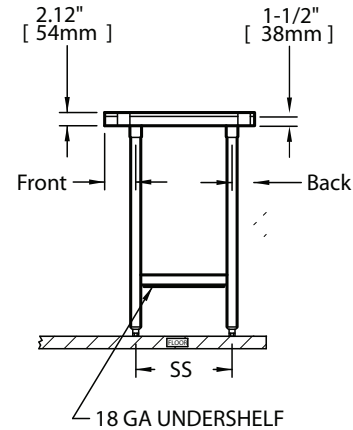
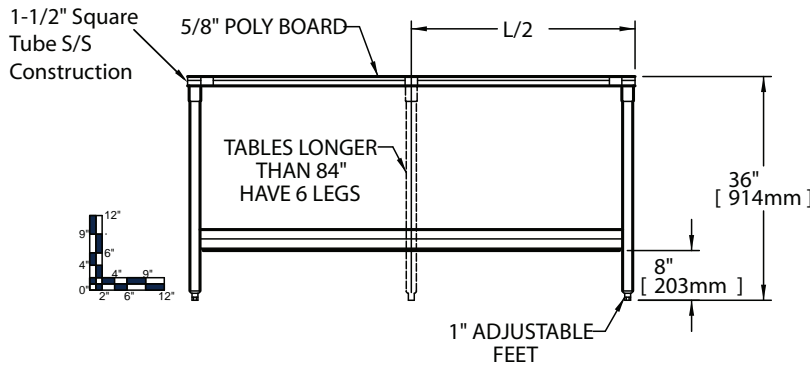
©2011 Elkay



Item No.: _____ Qty.: _____
 Model No.: _____
 Project No.: _____



Size of Undershelf:
 Common length = subtract 6" from length
 24" Width = subtract 6.5" from width
 30" Width = subtract 7.45" from width
 36" Width = subtract 10" from width



24" Work Table				30" Work Table				36" Work Table				Legs			
Model Number	Overall Size		Weight	Model Number	Overall Size		Weight	Model Number	Overall Size		Weight				
	Length	Height			Length	Height			Length	Height					
	L	H		L	H		L	H							
	in.	mm	lbs. kg		in.	mm	lbs. kg		in.	mm	lbs. kg				
PT 24 S 36 - STS	36	914	36 914	94 43	PT 30 S 36 - STS	36	914	36 914	106 48	PT 36 S 36 - STS	36	914	36 914	118 54	4
PT 24 S 48 - STS	48	1219	36 914	113 52	PT 30 S 48 - STS	48	1219	36 914	128 58	PT 36 S 48 - STS	48	1219	36 914	142 65	4
PT 24 S 60 - STS	60	1524	36 914	142 64	PT 30 S 60 - STS	60	1524	36 914	160 73	PT 36 S 60 - STS	60	1524	36 914	178 81	4
PT 24 S 72 - STS	72	1829	36 914	162 73	PT 30 S 72 - STS	72	1829	36 914	182 83	PT 36 S 72 - STS	72	1829	36 914	203 92	4
PT 24 S 84 - STS	84	2134	36 914	195 89	PT 30 S 84 - STS	84	2134	36 914	219 100	PT 36 S 84 - STS	84	2134	36 914	244 111	6
PT 24 S 96 - STS	96	2438	36 914	215 98	PT 30 S 96 - STS	96	2438	36 914	243 110	PT 36 S 96 - STS	96	2438	36 914	270 123	6
PT 24 S 108 - STS	108	2743	36 914	245 111	PT 30 S 108 - STS	108	2743	36 914	275 125	PT 36 S 108 - STS	108	2743	36 914	305 139	6
PT 24 S 120 - STS	120	3048	36 914	266 121	PT 30 S 120 - STS	120	3048	36 914	298 136	PT 36 S 120 - STS	120	3048	36 914	331 150	6

* Custom sizes also available

