

Item No.:	_____	Qty.:	_____
Model No.:	_____		
Project No.:	_____		



## Poly Top Work Table

*Poly Top Work Table, Flat Top with Stainless Steel Crossbracing*

24"	30"	36"
<input type="checkbox"/> PT24X36-ST5	<input type="checkbox"/> PT30X36-ST5	<input type="checkbox"/> PT36X36-ST5
<input type="checkbox"/> PT24X48-ST5	<input type="checkbox"/> PT30X48-ST5	<input type="checkbox"/> PT36X48-ST5
<input type="checkbox"/> PT24X60-ST5	<input type="checkbox"/> PT30X60-ST5	<input type="checkbox"/> PT36X60-ST5
<input type="checkbox"/> PT24X72-ST5	<input type="checkbox"/> PT30X72-ST5	<input type="checkbox"/> PT36X72-ST5
<input type="checkbox"/> PT24X84-ST5	<input type="checkbox"/> PT30X84-ST5	<input type="checkbox"/> PT36X84-ST5
<input type="checkbox"/> PT24X96-ST5	<input type="checkbox"/> PT30X96-ST5	<input type="checkbox"/> PT36X96-ST5
<input type="checkbox"/> PT24X108-ST5	<input type="checkbox"/> PT30X108-ST5	<input type="checkbox"/> PT36X108-ST5
<input type="checkbox"/> PT24X120-ST5	<input type="checkbox"/> PT30X120-ST5	<input type="checkbox"/> PT36X120-ST5

### Features

- 5/8" Thick, high density, polyethylene top
- Welded construction for consistent metal gauge thickness throughout
- Sound deadened between top and bottom hat channels with double sided tape
- 1-5/8" Stainless steel legs and feet, adjustable up to 1"
- Stainless steel crossbracing, fixed for added stability

### Materials

- **Top:** 5/8" Thick, high density, polyethylene
- **Legs:** 1-5/8" Diameter heavy gauge stainless steel tubing with stainless steel leg gussets and stainless steel feet, adjustable up to 1"
- **Crossbracing:** 1-1/4" Diameter, stainless steel, fixed

### Options

- Custom Size / Height
- Cutout in Top (depending on size and location)
- Edge Modification
- Urn Trough
- Overshelves
- Undershelves
- Drawers
- Sink
- Splash
- Base Options
- Welded Set-Up
- Casters / Feet Upgrade

\* For additional available options, contact Elkay SSP



**AUTOQUOTES**



*In keeping with our policy of continuing product improvement, Elkay SSP reserves the right to change product specifications without notice.*

*This specification describes an Elkay SSP product with design, quality and functional benefits to the user. When making a comparison of other producers' offerings, be certain these features are not overlooked.*

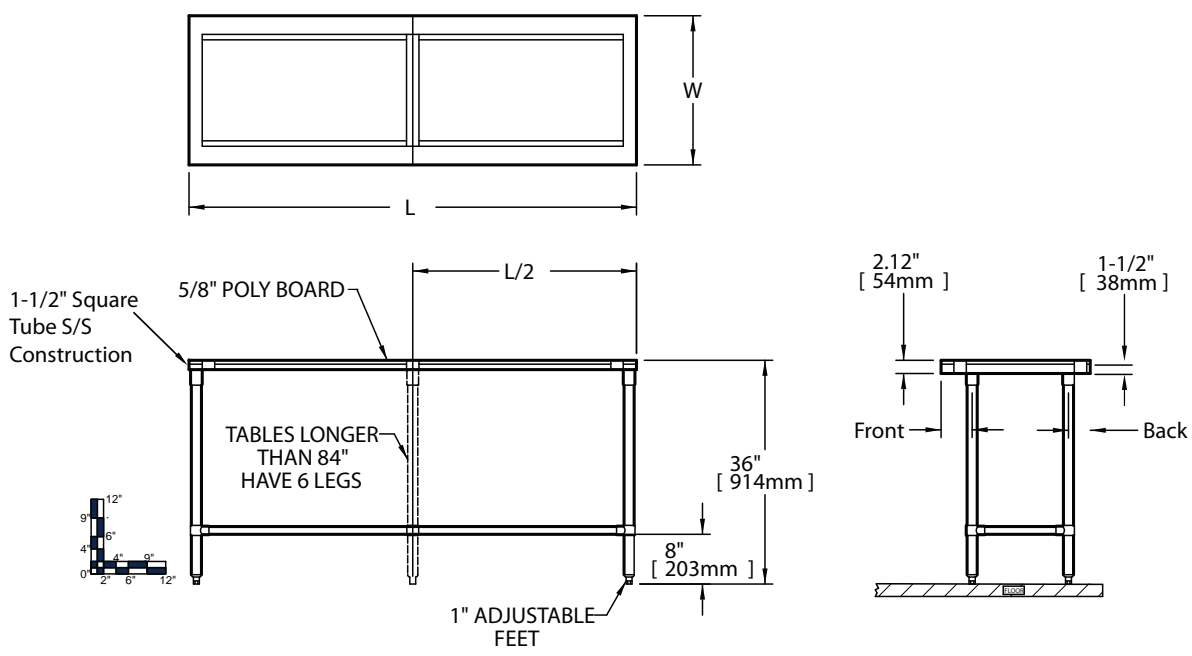
#### Elkay SSP

421 N. Freya St.  
Spokane, WA 99205  
Phone: 800-726-0553 Fax: 509-535-1493

Website: [www.sspinc.net](http://www.sspinc.net)  
Email: [sspsales@elkay.com](mailto:sspsales@elkay.com)  
©2011 Elkay



Item No.: \_\_\_\_\_ Qty.: \_\_\_\_\_  
 Model No.: \_\_\_\_\_  
 Project No.: \_\_\_\_\_



24" Work Table				30" Work Table				36" Work Table				Legs			
Model Number	Overall Size		Weight	Model Number	Overall Size		Weight	Model Number	Overall Size		Weight				
	Length L	Height H			Length L	Height H			Length L	Height H					
	in.	mm	lbs.   kg		in.	mm	lbs.   kg		in.	mm	lbs.   kg				
PT 24 X 36 - STS	36	914	36   914	96   43	PT 30 X 36 - STS	36	914	36   914	105   48	PT 36 X 36 - STS	36	914	36   914	115   52	4
PT 24 X 48 - STS	48	1219	36   914	112   51	PT 30 X 48 - STS	48	1219	36   914	122   56	PT 36 X 48 - STS	48	1219	36   914	133   61	4
PT 24 X 60 - STS	60	1524	36   914	136   62	PT 30 X 60 - STS	60	1524	36   914	150   68	PT 36 X 60 - STS	60	1524	36   914	163   74	4
PT 24 X 72 - STS	72	1829	36   914	153   69	PT 30 X 72 - STS	72	1829	36   914	168   76	PT 36 X 72 - STS	72	1829	36   914	99   45	4
PT 24 X 84 - STS	84	2134	36   914	189   86	PT 30 X 84 - STS	84	2134	36   914	208   94	PT 36 X 84 - STS	84	2134	36   914	226   103	6
PT 24 X 96 - STS	96	2438	36   914	206   94	PT 30 X 96 - STS	96	2438	36   914	226   103	PT 36 X 96 - STS	96	2438	36   914	246   112	6
PT 24 X 108 - STS	108	2743	36   914	232   105	PT 30 X 108 - STS	108	2743	36   914	254   115	PT 36 X 108 - STS	108	2743	36   914	275   125	6
PT 24 X 120 - STS	120	3048	36   914	250   113	PT 30 X 120 - STS	120	3048	36   914	273   124	PT 36 X 120 - STS	120	3048	36   914	296   135	6

\* Custom sizes also available

