

Item No.:	_____	Qty.:	_____
Model No.:	_____		
Project No.:	_____		



## Poly Top Work Table

*Poly Top Work Table, Flat Backsplash with Stainless Steel Crossbracing*

24"	30"	36"
<input type="checkbox"/> PT24X36-BS	<input type="checkbox"/> PT30X36-BS	<input type="checkbox"/> PT36X36-BS
<input type="checkbox"/> PT24X48-BS	<input type="checkbox"/> PT30X48-BS	<input type="checkbox"/> PT36X48-BS
<input type="checkbox"/> PT24X60-BS	<input type="checkbox"/> PT30X60-BS	<input type="checkbox"/> PT36X60-BS
<input type="checkbox"/> PT24X72-BS	<input type="checkbox"/> PT30X72-BS	<input type="checkbox"/> PT36X72-BS
<input type="checkbox"/> PT24X84-BS	<input type="checkbox"/> PT30X84-BS	<input type="checkbox"/> PT36X84-BS
<input type="checkbox"/> PT24X96-BS	<input type="checkbox"/> PT30X96-BS	<input type="checkbox"/> PT36X96-BS
<input type="checkbox"/> PT24X108-BS	<input type="checkbox"/> PT30X108-BS	<input type="checkbox"/> PT36X108-BS
<input type="checkbox"/> PT24X120-BS	<input type="checkbox"/> PT30X120-BS	<input type="checkbox"/> PT36X120-BS

### Features

- 5/8" Thick, high density, polyethylene top
- 4" Backsplash with no return
- Welded construction for consistent metal gauge thickness throughout
- Sound deadened between top and bottom hat channels with double sided tape
- 1-5/8" Stainless steel legs and feet, adjustable up to 1"
- Stainless steel crossbracing, fixed for added stability

### Materials

- **Top:** 5/8" Thick, high density, polyethylene
- **Legs:** 1-5/8" Diameter heavy gauge stainless steel tubing with stainless steel leg gussets and stainless steel feet, adjustable up to 1"
- **Crossbracing:** 1-1/4" Diameter, stainless steel, fixed

### Options

- Custom Size / Height
- Cutout in Top (depending on size and location)
- Edge Modification
- Urn Trough
- Overshelves
- Undershelves
- Drawers
- Sink
- Splash
- Base Options
- Welded Set-Up
- Casters / Feet Upgrade

\* For additional available options, contact Elkay SSP



**AUTOQUOTES**



*In keeping with our policy of continuing product improvement, Elkay SSP reserves the right to change product specifications without notice.*

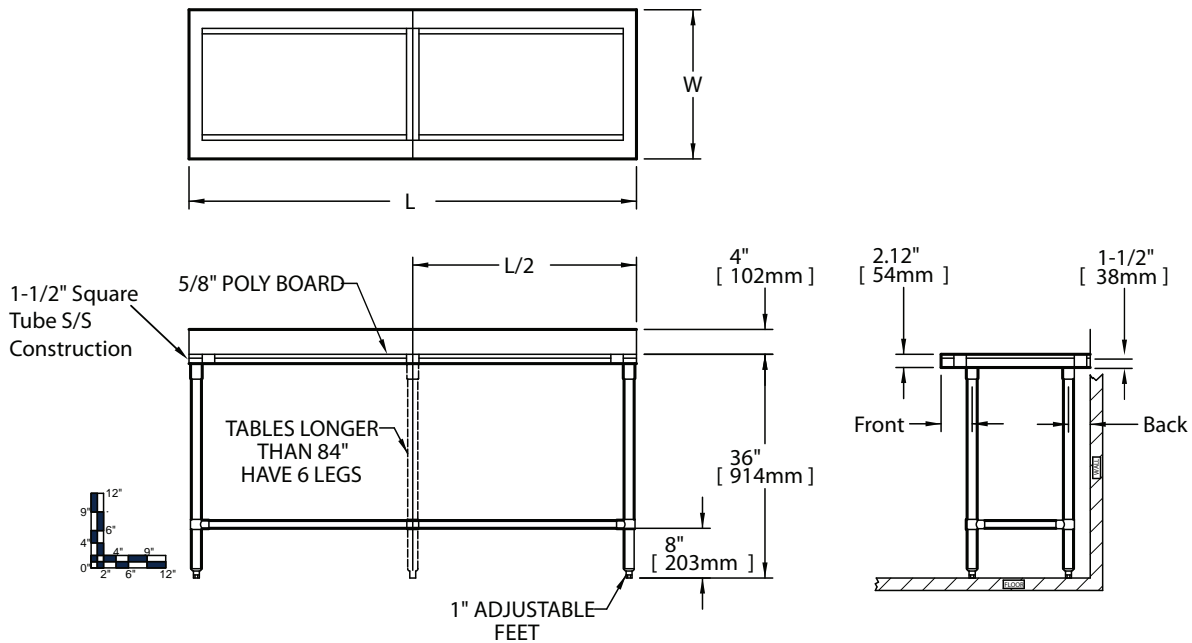
*This specification describes an Elkay SSP product with design, quality and functional benefits to the user. When making a comparison of other producers' offerings, be certain these features are not overlooked.*

**Elkay SSP**  
 421 N. Freya St.  
 Spokane, WA 99205  
 Phone: 800-726-0553 Fax: 509-535-1493

Website: [www.sspinc.net](http://www.sspinc.net)  
 Email: [sspsales@elkay.com](mailto:sspsales@elkay.com)  
 ©2011 Elkay



Item No.: \_\_\_\_\_ Qty.: \_\_\_\_\_  
 Model No.: \_\_\_\_\_  
 Project No.: \_\_\_\_\_



24" Work Table				30" Work Table				36" Work Table				Legs			
Model Number	Overall Size		Weight	Model Number	Overall Size		Weight	Model Number	Overall Size		Weight				
	Length	Height			Length	Height			Length	Height					
	L	H		L	H		L	H		L	H				
	in.	mm	lbs.   kg		in.	mm	lbs.   kg		in.	mm	lbs.   kg				
PT 24 X 36 - BS	36	914	40   1016	102   46	PT 30 X 36 - BS	36	914	40   1016	111   51	PT 36 X 36 - BS	36	914	40   1016	121   55	4
PT 24 X 48 - BS	48	1219	40   1016	119   54	PT 30 X 48 - BS	48	1219	40   1016	130   59	PT 36 X 48 - BS	48	1219	40   1016	141   64	4
PT 24 X 60 - BS	60	1524	40   1016	145   66	PT 30 X 60 - BS	60	1524	40   1016	158   72	PT 36 X 60 - BS	60	1524	40   1016	172   78	4
PT 24 X 72 - BS	72	1829	40   1016	163   74	PT 30 X 72 - BS	72	1829	40   1016	177   81	PT 36 X 72 - BS	72	1829	40   1016	99   45	4
PT 24 X 84 - BS	84	2134	40   1016	200   91	PT 30 X 84 - BS	84	2134	40   1016	219   99	PT 36 X 84 - BS	84	2134	40   1016	237   108	6
PT 24 X 96 - BS	96	2438	40   1016	219   99	PT 30 X 96 - BS	96	2438	40   1016	239   108	PT 36 X 96 - BS	96	2438	40   1016	259   118	6
PT 24 X 108 - BS	108	2743	40   1016	246   112	PT 30 X 108 - BS	108	2743	40   1016	268   122	PT 36 X 108 - BS	108	2743	40   1016	289   132	6
PT 24 X 120 - BS	120	3048	40   1016	265   120	PT 30 X 120 - BS	120	3048	40   1016	288   131	PT 36 X 120 - BS	120	3048	40   1016	311   141	6

\* Custom sizes also available

