

Item No.:	_____	Qty.	_____
Model No.:	_____		
Project No.:	_____		



RTB-14-SL

## Rethermalizer

### Available Models:

- |                 |                 |
|-----------------|-----------------|
| Basket Style    | Clamshell Style |
| - RTB-14-SL     | - RTC-16-SL     |
| - RTB-14-SL-CS* | - RTC-16-SL-CS* |

\*Caster models

## SPECIFICATIONS

### Electrical

- 208V, 3 Phase, 9000W, 25.0 Amps, 30 Amp Circuit

### Water/Drain

- Hot water hose bib behind unit
- 6' (1,829 mm) hose to connect to hot water included
- Faucet with back flush hose included
- Floor sink drain required

### Controls

- Front digital thermometer display
- 6' (1,829 mm) 14/4 rubber cord, NEMA rated twist lock plug
- Set point range 100°-190°F

## General

- 26" (660 mm) W x 34" (864 mm) H x 30" (762 mm) D
- All stainless steel, type 304
- 14 or 16 one-gallon pouches capacity
- Electric heater with on/off switch
- UL accepted and listed, conforms to NSF standard 4 performance 2000
- Patent no. 5,706,718

## Options

- Standard with legs
- Optional with 3" adjustable casters



**AUTOQUOTES**

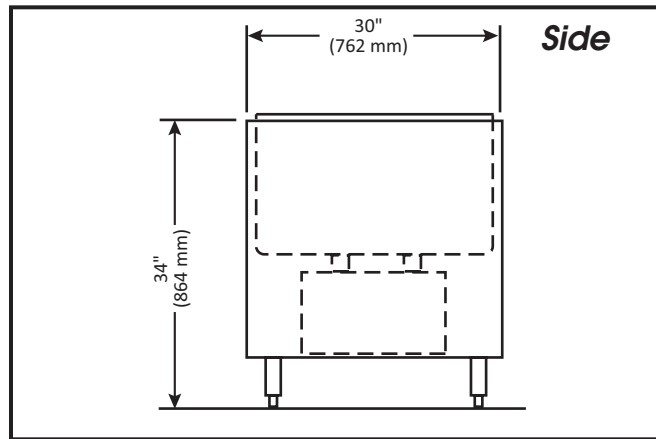
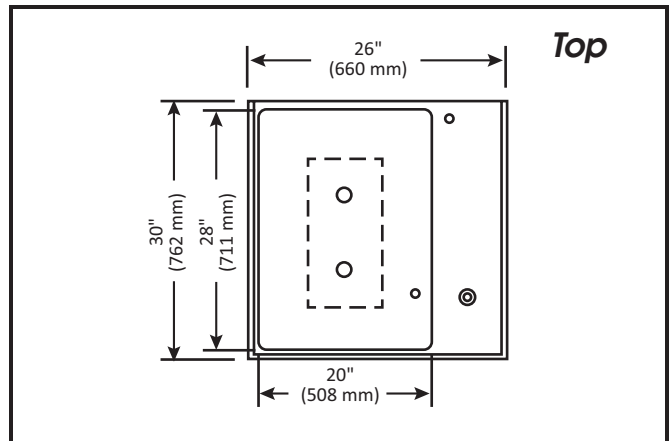
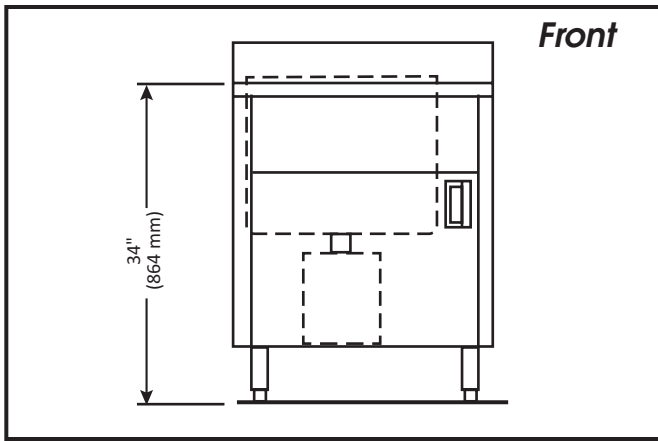


*In keeping with our policy of continuing product improvement, Elkay SSP reserves the right to change product specifications without notice.*

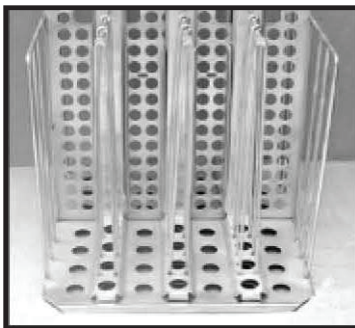
*This specification describes an Elkay SSP product with design, quality and functional benefits to the user. When making a comparison of other producers' offerings, be certain these features are not overlooked.*



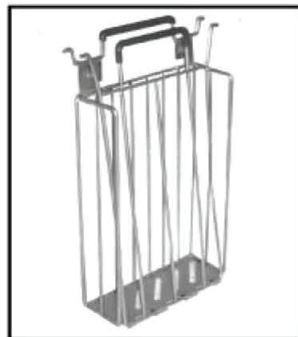
Item No.: \_\_\_\_\_ Qty. \_\_\_\_\_  
 Model No.: \_\_\_\_\_  
 Project No.: \_\_\_\_\_



### Product Holding Racks



8 Pouch Basket System



Clam Shell Racks

**Model RTB-14 Holds**  
 1 - 8 Pouch Rack and 1 - 6 Pouch Rack

**Model RTC-16 Has**  
 10 - 3" Clam Shell Racks and  
 6 - 2" Clam Shell Racks

- Speeds rethermalization.
- Holds & compresses package product.
- Tailored to your food packaging.
- Eases handling.
- Protects package from breakage.