

Item No.:	_____	Qty.	_____
Model No.:	_____		
Project No.:	_____		



14" Spec-Line Series Sinks

14" Deep Spec-Line Series One Compartment Stainless Steel Sinks

- | | |
|---|---|
| <input type="checkbox"/> SL1C16X20-R-18 | <input type="checkbox"/> SL1C20X20-R-24 |
| <input type="checkbox"/> SL1C16X20-R-24 | <input type="checkbox"/> SL1C20X28-R-20 |
| <input type="checkbox"/> SL1C18X18-R-18 | <input type="checkbox"/> SL1C20X28-R-24 |
| <input type="checkbox"/> SL1C18X18-R-24 | <input type="checkbox"/> SL1C24X24-R-24 |
| <input type="checkbox"/> SL1C18X24-R-18 | <input type="checkbox"/> SL1C24X24-R-30 |
| <input type="checkbox"/> SL1C18X24-R-24 | <input type="checkbox"/> SL1C24X30-R-24 |
| <input type="checkbox"/> SL1C18X30-R-18 | <input type="checkbox"/> SL1C24X30-R-30 |
| <input type="checkbox"/> SL1C18X30-R-24 | <input type="checkbox"/> SL1C30X30-R-24 |
| <input type="checkbox"/> SL1C20X20-R-20 | <input type="checkbox"/> SL1C30X30-R-30 |

Options

- Overshelves & Pot Racks
- Skirts & End Splashes
- Faucets
- Additional Modified Faucet Holes
- Tub & Drainboard Modifications
- Tub Accessories
- Disposer Provisions
- Rotary Drain Options
- Undershelves
- Additional Front or Back Crossbracing
- Stainless Steel Flange Foot Option

Materials

- Sink & Bowl: 14 Ga. stainless steel
- Top: Drainboard and backsplash are 14 gauge stainless steel.
- Legs: All sinks furnished with 1-5/8" (41.3 mm) diameter heavy gauge stainless steel tubing with stainless steel leg gussets and high impact corrosion resistant fully adjustable 1" (25.4 mm) feet.

Mechanical

- 1-1/8" (28.6mm) faucet holes on 8" (203.2mm) centers
- 3-1/2" (88.9mm) waste drain opening



AUTOQUOTES



Specifications

14" Spec-Line Series Sink, with one compartment, right drainboard, 10" backsplash, 14 gauge, stainless steel top and bowl, stainless steel H-frame legs & adjustable feet, raised 1-1/2" rolled edge, includes 3-1/2" basket strainer, NSF approved

Features

- 14 Ga. stainless steel
- Welded construction for consistent metal gauge thickness throughout
- 14" (355.6 mm) deep tub with 3/4" (19.1 mm) coved radius tub corners
- Drainboard is die stamped for positive drainage
- 10" (254 mm) backsplash with tile ledge for easy installation
- Raised 1-1/2" (38.1 mm) diameter rolled edge
- 3-1/2" (88.9 mm) drain with basket strainer included
- 1-5/8" (41.3 mm) stainless steel H-Frame legs with 1" (25.4 mm) adjustable feet

In keeping with our policy of continuing product improvement, Elkay SSP reserves the right to change product specifications without notice.

This specification describes an Elkay SSP product with design, quality and functional benefits to the user. When making a comparison of other producers' offerings, be certain these features are not overlooked.

Elkay SSP

421 N. Freya St.
Spokane, WA 99205
Phone: 800-726-0553 Fax: 509-535-1493

Website: www.sspinc.net
Email: sspsales@elkay.com
©2011 SSP INC.



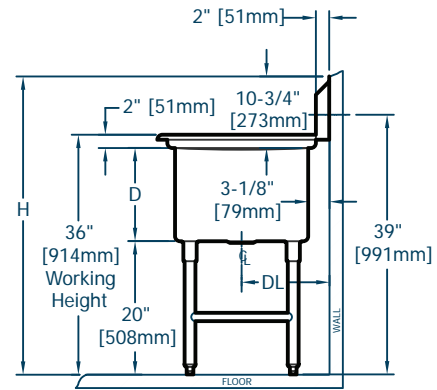
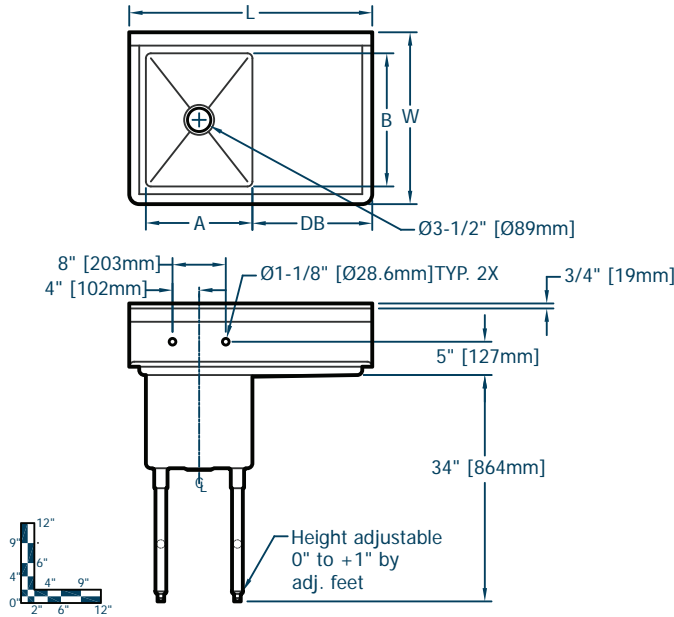
Item No.: _____ Qty. _____

Model No.: _____

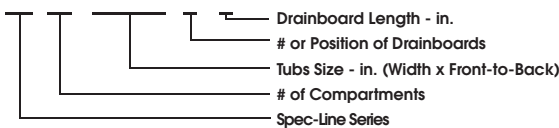
Project No.: _____

14" Spec-Line Series Sinks

14" Deep Spec-Line Series One Compartment Stainless Steel Sinks



Spec-Line Series Sinks																			
Model Number	Bowl Dimensions						Overall Size			Drainboard		Drain	Weight						
	Width		Front-to-Back		Depth	Length	Width	Height	Location	Size	Location	lbs.	kg						
	A	mm	B	mm	D									mm	mm	mm	DB	DL	
SL 1C 16 X 20 R 18	16	406	20	508	14	356	36.5	927	25.8	656	44.8	1137	Right	18	457	13.1	333	119	54
SL 1C 16 X 20 R 24	16	406	20	508	14	356	42.5	1080	25.8	656	44.8	1137	Right	24	610	13.1	333	124	56
SL 1C 18 X 18 R 18	18	457	18	457	14	356	38.5	978	23.8	605	44.8	1137	Right	18	457	12.1	308	121	55
SL 1C 18 X 18 R 24	18	457	18	457	14	356	44.5	1130	23.8	605	44.8	1137	Right	24	610	12.1	308	129	58
SL 1C 18 X 24 R 18	18	457	24	610	14	356	38.5	978	29.8	757	44.8	1137	Right	18	457	15.1	384	132	60
SL 1C 18 X 24 R 24	18	457	24	610	14	356	44.5	1130	29.8	757	44.8	1137	Right	24	610	15.1	384	141	64
SL 1C 18 X 30 R 18	18	457	30	762	14	356	38.5	978	35.8	910	44.8	1137	Right	18	457	18.1	460	140	64
SL 1C 18 X 30 R 24	18	457	30	762	14	356	44.5	1130	35.8	910	44.8	1137	Right	24	610	18.1	460	150	68
SL 1C 20 X 20 R 20	20	508	20	508	14	356	42.5	1080	25.8	656	44.8	1137	Right	20	508	13.1	333	139	63
SL 1C 20 X 20 R 24	20	508	20	508	14	356	46.5	1181	25.8	656	44.8	1137	Right	24	610	13.1	333	145	66
SL 1C 20 X 28 R 20	20	508	28	711	14	356	42.5	1080	33.8	859	44.8	1137	Right	20	508	17.1	435	146	66
SL 1C 20 X 28 R 24	20	508	28	711	14	356	46.5	1181	33.8	859	44.8	1137	Right	24	610	17.1	435	153	69
SL 1C 24 X 24 R 24	24	610	24	610	14	356	50.5	1283	29.8	757	44.8	1137	Right	24	610	15.1	384	161	73
SL 1C 24 X 24 R 30	24	610	24	610	14	356	56.5	1435	29.8	757	44.8	1137	Right	30	762	15.1	384	183	83
SL 1C 24 X 30 R 24	24	610	30	762	14	356	50.5	1283	35.8	910	44.8	1137	Right	24	610	18.1	460	170	77
SL 1C 24 X 30 R 30	24	610	30	762	14	356	56.5	1435	35.8	910	44.8	1137	Right	30	762	18.1	460	199	90
SL 1C 30 X 30 R 24	30	762	30	762	14	356	56.5	1435	35.8	910	44.8	1137	Right	24	610	18.1	460	191	86
SL 1C 30 X 30 R 30	30	762	30	762	14	356	62.5	1588	35.8	910	44.8	1137	Right	30	762	18.1	460	220	100



Elkay SSP

421 N. Freya St.
Spokane, WA 99205
Phone: 800-726-0553 Fax: 509-535-1493

Website: www.sspinc.net
Email: sspsales@elkay.com
©2011 SSP INC.