

Item No.:	_____	Qty.	_____
Model No.:	_____		
Project No.:	_____		



## 14" Spec-Line Series Sinks

14" Deep Spec-Line Series One Compartment Stainless Steel Sinks

- |   |   |
|---|---|
| <input type="checkbox"/> SL1C16X20-2-18 | <input type="checkbox"/> SL1C20X20-2-24 |
| <input type="checkbox"/> SL1C16X20-2-24 | <input type="checkbox"/> SL1C20X28-2-20 |
| <input type="checkbox"/> SL1C18X18-2-18 | <input type="checkbox"/> SL1C20X28-2-24 |
| <input type="checkbox"/> SL1C18X18-2-24 | <input type="checkbox"/> SL1C24X24-2-24 |
| <input type="checkbox"/> SL1C18X24-2-18 | <input type="checkbox"/> SL1C24X24-2-30 |
| <input type="checkbox"/> SL1C18X24-2-24 | <input type="checkbox"/> SL1C24X30-2-24 |
| <input type="checkbox"/> SL1C18X30-2-18 | <input type="checkbox"/> SL1C24X30-2-30 |
| <input type="checkbox"/> SL1C18X30-2-24 | <input type="checkbox"/> SL1C30X30-2-24 |
| <input type="checkbox"/> SL1C20X20-2-20 | <input type="checkbox"/> SL1C30X30-2-30 |

## Options

- Overshelves & Pot Racks
- Skirts & End Splashes
- Faucets
- Additional Modified Faucet Holes
- Tub & Drainboard Modifications
- Tub Accessories
- Disposer Provisions
- Rotary Drain Options
- Undershelves
- Additional Front or Back Crossbracing
- Stainless Steel Flange Foot Option

## Materials

- Sink & Bowl: 14 Ga. stainless steel
- Top: Drainboards and backsplash are 14 gauge stainless steel.
- Legs: All sinks furnished with 1-5/8" (41.3 mm) diameter heavy gauge stainless steel tubing with stainless steel leg gussets and high impact corrosion resistant fully adjustable 1" (25.4 mm) feet.

## Mechanical

- 1-1/8" (38mm) faucet holes on 8" (203mm) centers
- 3-1/2" (89mm) waste drain opening

## Specifications

14" Spec-Line Series Sink, with one compartment, both left and right drainboards, 10" backsplash, 14 gauge, stainless steel top and bowl, stainless steel H-frame legs & adjustable feet, raised 1-1/2" rolled edge, includes 3-1/2" basket strainer, NSF approved

## Features

- 14 Ga. stainless steel
- Welded construction for consistent metal gauge thickness throughout
- 14" (355.6 mm) deep tub with 3/4" (19.1 mm) coved radius tub corners
- All drainboards are die stamped for positive drainage
- 10" (254 mm) backsplash with tile ledge for easy installation
- Raised 1-1/2" (38.1 mm) diameter rolled edge
- 3-1/2" (88.9 mm) drain with basket strainer included
- 1-5/8" (41.3 mm) stainless steel H-Frame legs with 1" (25.4 mm) adjustable feet



**AUTOQUOTES**



*In keeping with our policy of continuing product improvement, Elkay SSP reserves the right to change product specifications without notice.*

*This specification describes an Elkay SSP product with design, quality and functional benefits to the user. When making a comparison of other producers' offerings, be certain these features are not overlooked.*

### Elkay SSP

421 N. Freya St.  
Spokane, WA 99205  
Phone: 800-726-0553 Fax: 509-535-1493

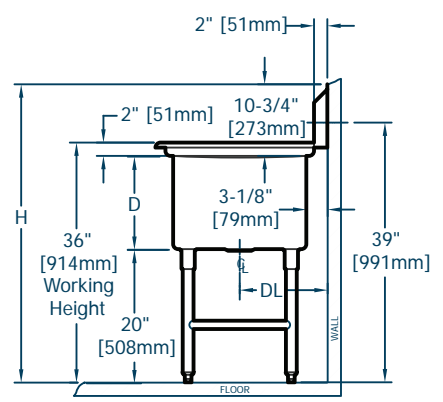
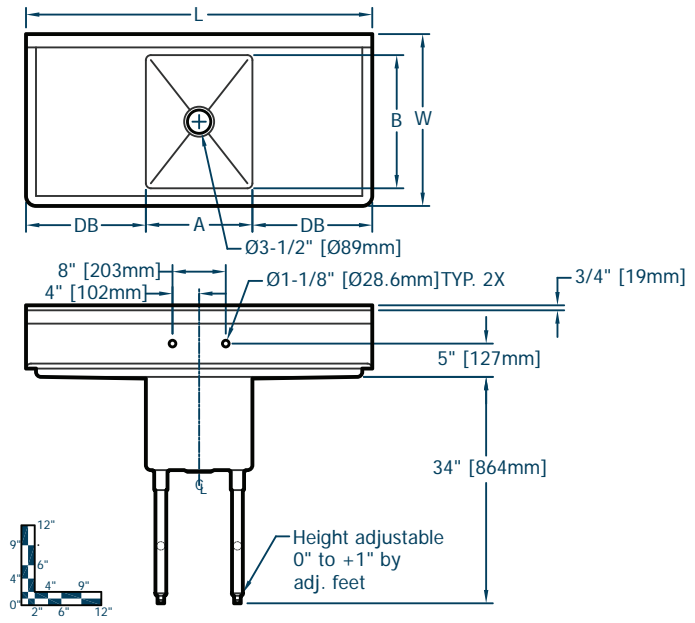
Website: [www.sspinc.net](http://www.sspinc.net)  
Email: [sspsales@elkay.com](mailto:sspsales@elkay.com)  
©2011 SSP INC.



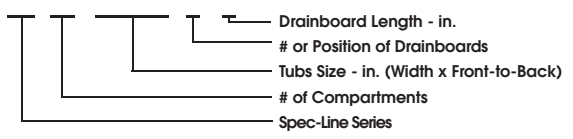
Item No.: \_\_\_\_\_ Qty. \_\_\_\_\_  
 Model No.: \_\_\_\_\_  
 Project No.: \_\_\_\_\_

### 14" Spec-Line Series Sinks

14" Deep Spec-Line Series One Compartment Stainless Steel Sinks



Spec-Line Series Sinks																			
Model Number	Bowl Dimensions						Overall Size			Drainboard		Drain Location		Weight					
	Width A		Front-to-Back B		Depth D		Length L		Width W		Height H		Location	Size DB	Location DL	lbs.	kg		
	in.	mm	in.	mm	in.	mm	in.	mm	in.	mm	in.	mm		in.	mm	in.	mm		
SL 1C 16 X 20 2 18	16	406	20	508	14	356	52	1321	25.8	656	44.8	1137	L & R	18 457	13.1 333	141	64		
SL 1C 16 X 20 2 24	16	406	20	508	14	356	64	1626	25.8	656	44.8	1137	L & R	24 610	13.1 333	156	71		
SL 1C 18 X 18 2 18	18	457	18	457	14	356	54	1372	23.8	605	44.8	1137	L & R	18 457	12.1 308	142	65		
SL 1C 18 X 18 2 24	18	457	18	457	14	356	66	1676	23.8	605	44.8	1137	L & R	24 610	12.1 308	159	72		
SL 1C 18 X 24 2 18	18	457	24	610	14	356	54	1372	29.8	757	44.8	1137	L & R	18 457	15.1 384	156	71		
SL 1C 18 X 24 2 24	18	457	24	610	14	356	66	1676	29.8	757	44.8	1137	L & R	24 610	15.1 384	175	79		
SL 1C 18 X 30 2 18	18	457	30	762	14	356	54	1372	35.8	910	44.8	1137	L & R	18 457	18.1 460	167	76		
SL 1C 18 X 30 2 24	18	457	30	762	14	356	66	1676	35.8	910	44.8	1137	L & R	24 610	18.1 460	187	85		
SL 1C 20 X 20 2 20	20	508	20	508	14	356	60	1524	25.8	656	44.8	1137	L & R	20 508	13.1 333	164	75		
SL 1C 20 X 20 2 24	20	508	20	508	14	356	68	1727	25.8	656	44.8	1137	L & R	24 610	13.1 333	176	80		
SL 1C 20 X 28 2 20	20	508	28	711	14	356	60	1524	33.8	859	44.8	1137	L & R	20 508	17.1 435	175	79		
SL 1C 20 X 28 2 24	20	508	28	711	14	356	68	1727	33.8	859	44.8	1137	L & R	24 610	17.1 435	188	85		
SL 1C 24 X 24 2 24	24	610	24	610	14	356	72	1829	29.8	757	44.8	1137	L & R	24 610	15.1 384	194	88		
SL 1C 24 X 24 2 30	24	610	24	610	14	356	84	2134	29.8	757	44.8	1137	L & R	30 762	15.1 384	238	108		
SL 1C 24 X 30 2 24	24	610	30	762	14	356	72	1829	35.8	910	44.8	1137	L & R	24 610	18.1 460	207	94		
SL 1C 24 X 30 2 30	24	610	30	762	14	356	84	2134	35.8	910	44.8	1137	L & R	30 762	18.1 460	259	118		
SL 1C 30 X 30 2 24	30	762	30	762	14	356	78	1981	35.8	910	44.8	1137	L & R	24 610	18.1 460	227	103		
SL 1C 30 X 30 2 30	30	762	30	762	14	356	90	2286	35.8	910	44.8	1137	L & R	30 762	18.1 460	280	127		



**Elkay SSP**  
 421 N. Freya St.  
 Spokane, WA 99205  
 Phone: 800-726-0553 Fax: 509-535-1493

Website: [www.sspinc.net](http://www.sspinc.net)  
 Email: [sspsales@elkay.com](mailto:sspsales@elkay.com)  
 ©2011 SSP INC.