

Item No.:	_____	Qty.	_____
Model No.:	_____		
Project No.:	_____		



## 14" Spec-Line Series Sinks

14" Deep Spec-Line Series Two Compartment Stainless Steel Sinks

- |   |   |
|---|---|
| <input type="checkbox"/> SL2C16X20-L-18 | <input type="checkbox"/> SL2C20X28-L-20 |
| <input type="checkbox"/> SL2C18X18-L-18 | <input type="checkbox"/> SL2C20X28-L-24 |
| <input type="checkbox"/> SL2C18X18-L-24 | <input type="checkbox"/> SL2C24X24-L-24 |
| <input type="checkbox"/> SL2C18X24-L-18 | <input type="checkbox"/> SL2C24X24-L-30 |
| <input type="checkbox"/> SL2C18X24-L-24 | <input type="checkbox"/> SL2C24X30-L-24 |
| <input type="checkbox"/> SL2C18X30-L-18 | <input type="checkbox"/> SL2C24X30-L-30 |
| <input type="checkbox"/> SL2C18X30-L-24 | <input type="checkbox"/> SL2C30X30-L-24 |
| <input type="checkbox"/> SL2C20X20-L-20 | <input type="checkbox"/> SL2C30X30-L-30 |
| <input type="checkbox"/> SL2C20X20-L-24 |   |

## Options

- Overshelves & Pot Racks
- Skirts & End Splashes
- Faucets
- Additional Modified Faucet Holes
- Tub & Drainboard Modifications
- Tub Accessories
- Disposer Provisions
- Rotary Drain Options
- Undershelves
- Additional Front or Back Crossbracing
- Stainless Steel Flange Foot Option

## Materials

- Sink & Bowl: 14 Ga. stainless steel
- Top: Drainboard and backsplash are 14 gauge stainless steel.
- Legs: All sinks furnished with 1-5/8" (41.3 mm) diameter heavy gauge stainless steel tubing with stainless steel leg gussets and high impact corrosion resistant fully adjustable 1" (25.4 mm) feet.

## Mechanical

- 1-1/8" (28.6mm) faucet holes on 8" (203.2mm) centers
- 3-1/2" (88.9mm) waste drain opening



**AUTOQUOTES**



## Specifications

14" Spec-Line Series Sink, with two compartments, left drainboard, 10" backsplash, 14 gauge, stainless steel top and bowl, stainless steel H-frame legs & adjustable feet, raised 1-1/2" rolled edge, includes 3-1/2" basket strainer, NSF approved

## Features

- 14 Ga. stainless steel
- Welded construction for consistent metal gauge thickness throughout
- 14" (355.6 mm) deep tub with 3/4" (19.1 mm) coved radius tub corners
- Drainboard is die stamped for positive drainage
- 10" (254 mm) backsplash with tile ledge for easy installation
- Raised 1-1/2" (38.1 mm) diameter rolled edge
- 3-1/2" (88.9 mm) drain with basket strainers included
- 1-5/8" (41.3 mm) stainless steel H-Frame legs with 1" (25.4 mm) adjustable feet
- 2" (50.8 mm) divider between each tub

*In keeping with our policy of continuing product improvement, Elkay SSP reserves the right to change product specifications without notice.*

*This specification describes an Elkay SSP product with design, quality and functional benefits to the user. When making a comparison of other producers' offerings, be certain these features are not overlooked.*

### Elkay SSP

421 N. Freya St.  
Spokane, WA 99205  
Phone: 800-726-0553 Fax: 509-535-1493

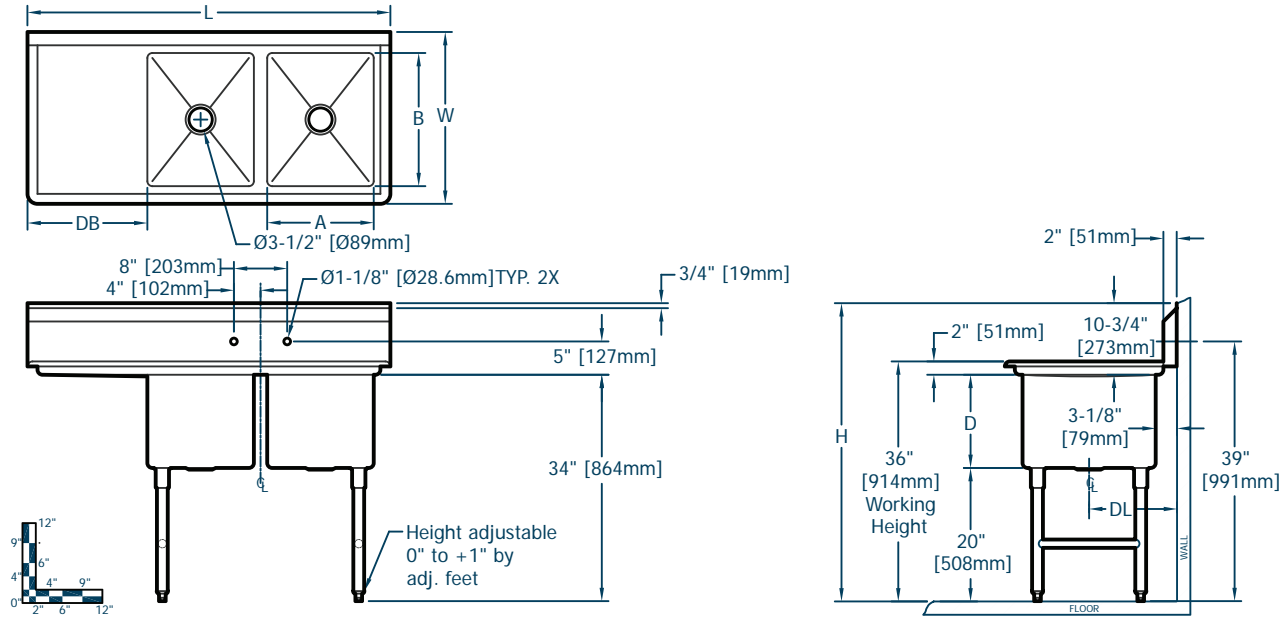
Website: [www.sspinc.net](http://www.sspinc.net)  
Email: [sspsales@elkay.com](mailto:sspsales@elkay.com)  
©2011 SSP INC.



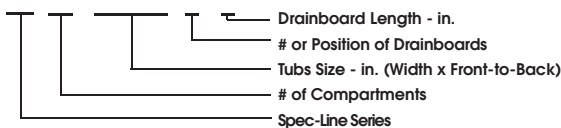
Item No.: \_\_\_\_\_ Qty. \_\_\_\_\_  
 Model No.: \_\_\_\_\_  
 Project No.: \_\_\_\_\_

### 14" Spec-Line Series Sinks

14" Deep Spec-Line Series Two Compartment Stainless Steel Sinks



Spec-Line Series Sinks																			
Model Number	Bowl Dimensions						Overall Size			Drainboard		Drain Location		Weight					
	Width		Front-to-Back		Depth		Length		Width	Height	Location	Size DB	Location DL	lbs.	kg				
	in.	mm	in.	mm	in.	mm	in.	mm	in.	mm		in.	mm	in.	mm				
SL 2C 16 X 20 L 18	16	406	20	508	14	356	54.5	1384	25.8	656	44.8	1137	Left	18	457	13.1	333	175	79
SL 2C 18 X 18 L 18	18	457	18	457	14	356	58.5	1486	23.8	605	44.8	1137	Left	18	457	12.1	308	180	82
SL 2C 18 X 18 L 24	18	457	18	457	14	356	64.5	1638	23.8	605	44.8	1137	Left	24	610	12.1	308	189	86
SL 2C 18 X 24 L 18	18	457	24	610	14	356	58.5	1486	29.8	757	44.8	1137	Left	18	457	15.1	384	199	90
SL 2C 18 X 24 L 24	18	457	24	610	14	356	64.5	1638	29.8	757	44.8	1137	Left	24	610	15.1	384	209	95
SL 2C 18 X 30 L 18	18	457	30	762	14	356	58.5	1486	35.8	910	44.8	1137	Left	18	457	18.1	460	209	95
SL 2C 18 X 30 L 24	18	457	30	762	14	356	64.5	1638	35.8	910	44.8	1137	Left	24	610	18.1	460	219	99
SL 2C 20 X 20 L 20	20	508	20	508	14	356	64.5	1638	25.8	656	44.8	1137	Left	20	508	13.1	333	212	96
SL 2C 20 X 20 L 24	20	508	20	508	14	356	68.5	1740	25.8	656	44.8	1137	Left	24	610	13.1	333	218	99
SL 2C 20 X 28 L 20	20	508	28	711	14	356	64.5	1638	33.8	859	44.8	1137	Left	20	508	17.1	435	229	104
SL 2C 20 X 28 L 24	20	508	28	711	14	356	68.5	1740	33.8	859	44.8	1137	Left	24	610	17.1	435	238	108
SL 2C 24 X 24 L 24	24	610	24	610	14	356	76.5	1943	29.8	757	44.8	1137	Left	24	610	15.1	384	246	111
SL 2C 24 X 24 L 30	24	610	24	610	14	356	82.5	2096	29.8	757	44.8	1137	Left	30	762	15.1	384	268	122
SL 2C 24 X 30 L 24	24	610	30	762	14	356	76.5	1943	35.8	910	44.8	1137	Left	24	610	18.1	460	260	118
SL 2C 24 X 30 L 30	24	610	30	762	14	356	82.5	2096	35.8	910	44.8	1137	Left	30	762	18.1	460	293	133
SL 2C 30 X 30 L 24	30	762	30	762	14	356	88.5	2248	35.8	910	44.8	1137	Left	24	610	18.1	460	299	136
SL 2C 30 X 30 L 30	30	762	30	762	14	356	94.5	2400	35.8	910	44.8	1137	Left	30	762	18.1	460	334	151



**Elkay SSP**  
 421 N. Freya St.  
 Spokane, WA 99205  
 Phone: 800-726-0553 Fax: 509-535-1493

Website: [www.sspinc.net](http://www.sspinc.net)  
 Email: [sspsales@elkay.com](mailto:sspsales@elkay.com)  
 ©2011 SSP INC.