

Item No.:	_____	Qty.	_____
Model No.:	_____		
Project No.:	_____		



Specifications

14" Spec-Line Series Sink, with two compartments, both left and right drainboards, 10" backsplash, 14 gauge, stainless steel top and bowl, stainless steel H-frame legs & adjustable feet, raised 1-1/2" rolled edge, includes 3-1/2" basket strainer, NSF approved

Features

- 14 Ga. stainless steel
- Welded construction for consistent metal gauge thickness throughout
- 14" (355.6 mm) deep tub with 3/4" (19.1 mm) coved radius tub corners
- All Drainboards are die stamped for positive drainage
- 10" (254 mm) backsplash with tile ledge for easy installation
- Raised 1-1/2" (38.1 mm) diameter rolled edge
- 3-1/2" (88.9 mm) drain with basket strainers included
- 1-5/8" (41.3 mm) stainless steel H-Frame legs with 1" (25.4 mm) adjustable feet
- 2" (50.8 mm) divider between each tub

14" Spec-Line Series Sinks

14" Deep Spec-Line Series Two Compartment Stainless Steel Sinks

- | | |
|---|---|
| <input type="checkbox"/> SL2C16X20-2-18 | <input type="checkbox"/> SL2C20X28-2-20 |
| <input type="checkbox"/> SL2C18X18-2-18 | <input type="checkbox"/> SL2C20X28-2-24 |
| <input type="checkbox"/> SL2C18X18-2-24 | <input type="checkbox"/> SL2C24X24-2-24 |
| <input type="checkbox"/> SL2C18X24-2-18 | <input type="checkbox"/> SL2C24X24-2-30 |
| <input type="checkbox"/> SL2C18X24-2-24 | <input type="checkbox"/> SL2C24X30-2-24 |
| <input type="checkbox"/> SL2C18X30-2-18 | <input type="checkbox"/> SL2C24X30-2-30 |
| <input type="checkbox"/> SL2C18X30-2-24 | <input type="checkbox"/> SL2C30X30-2-24 |
| <input type="checkbox"/> SL2C20X20-2-20 | <input type="checkbox"/> SL2C30X30-2-30 |
| <input type="checkbox"/> SL2C20X20-2-24 | |

Options

- Overshelves & Pot Racks
- Skirts & End Splashes
- Faucets
- Additional Modified Faucet Holes
- Tub & Drainboard Modifications
- Tub Accessories
- Disposer Provisions
- Rotary Drain Options
- Undershelves
- Additional Front or Back Crossbracing
- Stainless Steel Flange Foot Option

Materials

- Sink & Bowl: 14 Ga. stainless steel
- Top: Drainboards and backsplash are 14 gauge stainless steel.
- Legs: All sinks furnished with 1-5/8" (41.3 mm) diameter heavy gauge stainless steel tubing with stainless steel leg gussets and high impact corrosion resistant fully adjustable 1" (25.4 mm) feet.

Mechanical

- 1-1/8" (28.6mm) faucet holes on 8" (203mm) centers
- 3-1/2" (88.9mm) waste drain opening



AUTOQUOTES



In keeping with our policy of continuing product improvement, Elkay SSP reserves the right to change product specifications without notice.

This specification describes an Elkay SSP product with design, quality and functional benefits to the user. When making a comparison of other producers' offerings, be certain these features are not overlooked.

Elkay SSP

421 N. Freya St.
Spokane, WA 99205
Phone: 800-726-0553 Fax: 509-535-1493

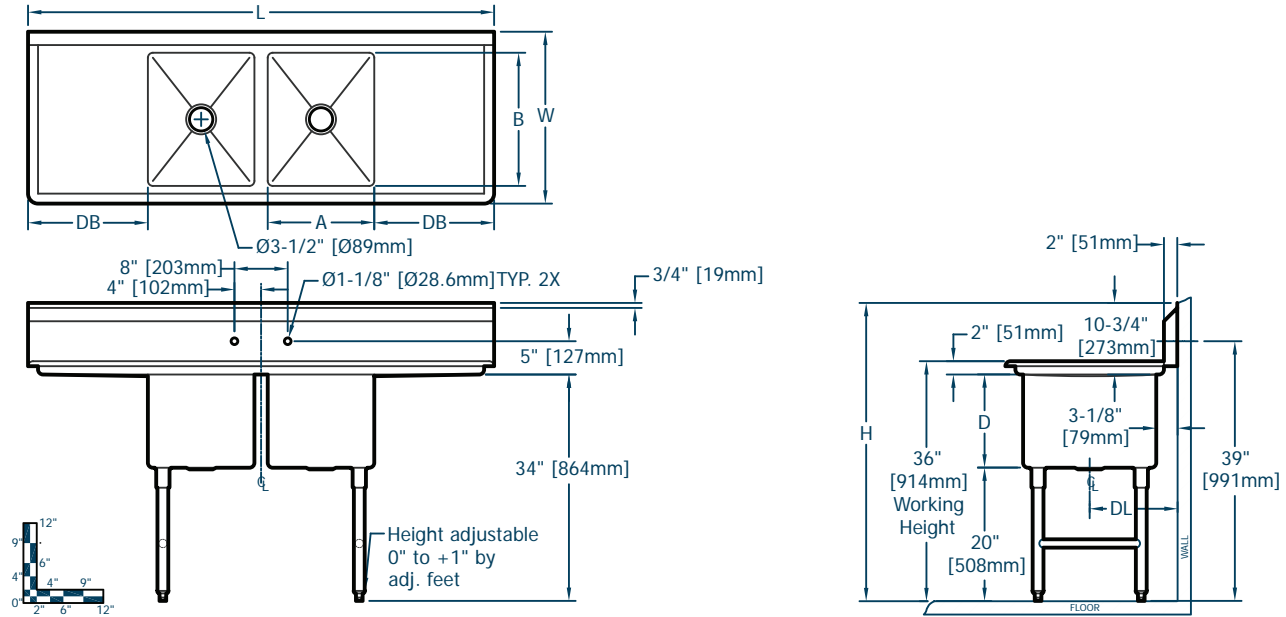
Website: www.sspinc.net
Email: sspsales@elkay.com
©2011 SSP INC.



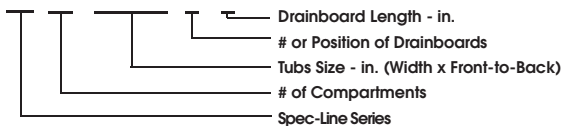
Item No.: _____ Qty. _____
 Model No.: _____
 Project No.: _____

14" Spec-Line Series Sinks

14" Deep Spec-Line Series Two Compartment Stainless Steel Sinks



Spec-Line Series Sinks																			
Model Number	Bowl Dimensions						Overall Size			Drainboard		Drain		Weight					
	Width		Front-to-Back		Depth		Length		Width		Height		Location		Location				
	A	mm	B	mm	D	mm	L	mm	W	mm	H	mm	DB	mm	DL	mm	lbs.	kg	
SL 2C 16 X 20 2 18	16	406	20	508	14	356	70	1778	25.8	656	44.8	1137	L & R	18	457	13.1	333	198	90
SL 2C 18 X 18 2 18	18	457	18	457	14	356	74	1880	23.8	605	44.8	1137	L & R	18	457	12.1	308	203	92
SL 2C 18 X 18 2 24	18	457	18	457	14	356	86	2184	23.8	605	44.8	1137	L & R	24	610	12.1	308	220	100
SL 2C 18 X 24 2 18	18	457	24	610	14	356	74	1880	29.8	757	44.8	1137	L & R	18	457	15.1	384	224	102
SL 2C 18 X 24 2 24	18	457	24	610	14	356	86	2184	29.8	757	44.8	1137	L & R	24	610	15.1	384	243	110
SL 2C 18 X 30 2 18	18	457	30	762	14	356	74	1880	35.8	910	44.8	1137	L & R	18	457	18.1	460	236	107
SL 2C 18 X 30 2 24	18	457	30	762	14	356	86	2184	35.8	910	44.8	1137	L & R	24	610	18.1	460	257	116
SL 2C 20 X 20 2 20	20	508	20	508	14	356	82	2083	25.8	656	44.8	1137	L & R	20	508	13.1	333	238	108
SL 2C 20 X 20 2 24	20	508	20	508	14	356	90	2286	25.8	656	44.8	1137	L & R	24	610	13.1	333	250	113
SL 2C 20 X 28 2 20	20	508	28	711	14	356	82	2083	33.8	859	44.8	1137	L & R	20	508	17.1	435	258	117
SL 2C 20 X 28 2 24	20	508	28	711	14	356	90	2286	33.8	859	44.8	1137	L & R	24	610	17.1	435	264	120
SL 2C 24 X 24 2 24	24	610	24	610	14	356	98	2489	29.8	757	44.8	1137	L & R	24	610	15.1	384	280	127
SL 2C 24 X 24 2 30	24	610	24	610	14	356	110	2794	29.8	757	44.8	1137	L & R	30	762	15.1	384	325	147
SL 2C 24 X 30 2 24	24	610	30	762	14	356	98	2489	35.8	910	44.8	1137	L & R	24	610	18.1	460	298	135
SL 2C 24 X 30 2 30	24	610	30	762	14	356	110	2794	35.8	910	44.8	1137	L & R	30	762	18.1	460	355	161
SL 2C 30 X 30 2 24	30	762	30	762	14	356	110	2794	35.8	910	44.8	1137	L & R	24	610	18.1	460	337	153
SL 2C 30 X 30 2 30	30	762	30	762	14	356	122	3099	35.8	910	44.8	1137	L & R	30	762	18.1	460	396	179



Elkay SSP
 421 N. Freya St.
 Spokane, WA 99205
 Phone: 800-726-0553 Fax: 509-535-1493

Website: www.sspinc.net
 Email: sspsales@elkay.com
 ©2011 SSP INC.