

Item No.:	_____	Qty.	_____
Model No.:	_____		
Project No.:	_____		



Spec-Line Deli Series Sinks

10" Deep Spec-Line Deli Three Compartment Stainless Steel Sinks

- SL3C10X14-0**
- SL3C12X16-0**

Specifications

Spec-Line Deli Series Sink, with three compartments, no drainboards, 9" backsplash, 14 gauge, 300 series stainless steel top and bowl, stainless steel H-frame legs & adjustable feet, raised 1-1/2" rolled edge, includes 3-1/2" basket strainer, NSF approved

Features

- 14 Ga. stainless steel
- Welded construction for consistent metal gauge thickness throughout
- 10" (254 mm) deep tub with 3/4" (19.1 mm) coved radius tub corners
- 9" (228.6 mm) backsplash with tile ledge for easy installation
- Raised 1-1/2" (38.1 mm) diameter rolled edge
- 3-1/2" (88.9 mm) drain with basket strainers included
- 1-5/8" (41.3 mm) stainless steel legs with 1" (25.4 mm) adjustable feet
- 2" (50.8 mm) divider between each tub

Options

- Overshelves & Pot Racks
- Skirts & End Splashes
- Faucets
- Additional Modified Faucet Holes
- Tub & Drainboard Modifications
- Tub Accessories
- Disposer Provisions
- Rotary Drain Options
- Undershelves
- Additional Front or Back Crossbracing
- Stainless Steel Flange Foot Option

Materials

- Sink & Bowl: 14 Ga. 300 series stainless steel
- Top: Backsplash is 14 gauge 300 series stainless steel.
- Legs: All sinks furnished with 1-5/8" (41.3 mm) diameter heavy gauge stainless steel tubing with stainless steel leg gussets and high impact corrosion resistant fully adjustable 1" (25.4 mm) feet.

Mechanical

- 1-1/8" (28.6mm) faucet holes on 8" (203.2mm) centers
- 3-1/2" (88.9mm) waste drain opening



AUTOQUOTES



In keeping with our policy of continuing product improvement, Elkay SSP reserves the right to change product specifications without notice.

This specification describes an Elkay SSP product with design, quality and functional benefits to the user. When making a comparison of other producers' offerings, be certain these features are not overlooked.

Elkay SSP

421 N. Freya St.
Spokane, WA 99205
Phone: 800-726-0553 Fax: 509-535-1493

Website: www.sspinc.net
Email: sspsales@elkay.com
©2011 SSP INC.



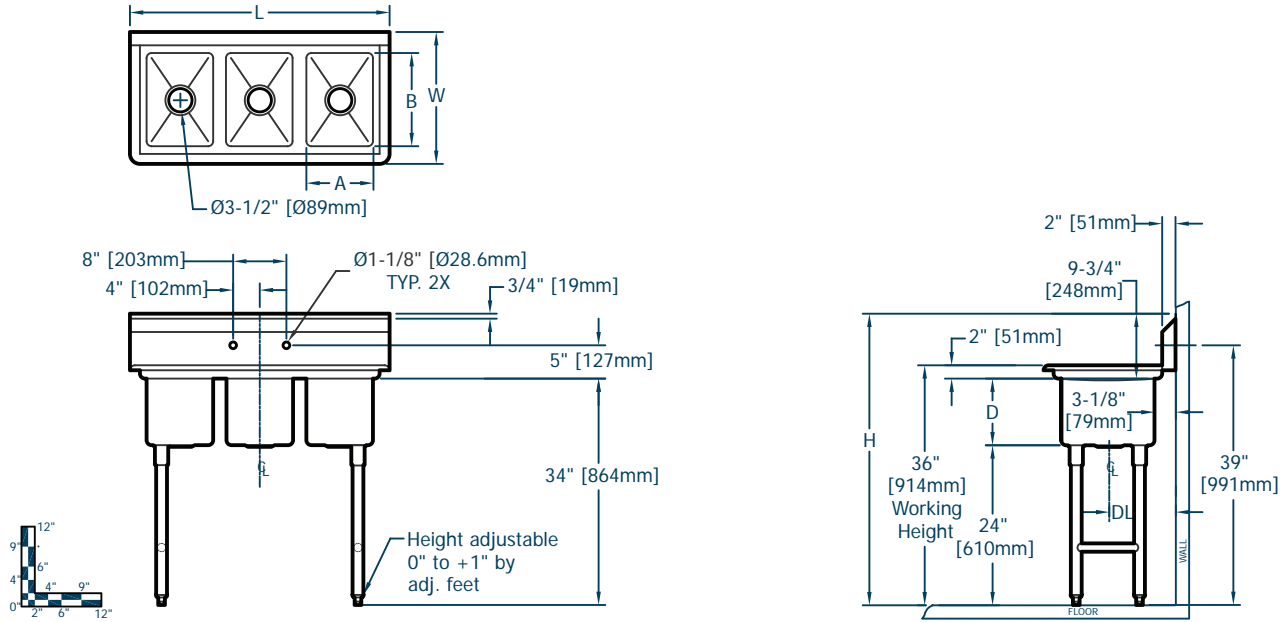
Item No.: _____ Qty. _____

Model No.: _____

Project No.: _____

Spec-Line Deli Series Sinks

10" Deep Spec-Line Series Three Compartment Stainless Steel Sinks



Spec-Line Series Sinks																			
Model Number	Bowl Dimensions						Overall Size			Drainboard		Drain Location		Weight					
	Width		Front-to-Back		Depth		Length		Width	Height		Location	Size DB	Location DL	lbs.	kg			
	A	mm	B	mm	D	mm	L	mm	W	mm	H	mm		in.	mm				
SL 3C 10 X 14 0	10	254	14	356	10	254	39	991	19.8	503	44.8	1137	No	0	0	10.1	257	246	112
SL 3C 12 X 16 0	12	305	16	406	10	254	45	1143	21.8	554	44.8	1137	No	0	0	11.1	283	259	117

