

Item No.:	_____	Qty.	_____
Model No.:	_____		
Project No.:	_____		



## Spec-Line Deli Series Sinks

10" Deep Spec-Line Deli Three Compartment Stainless Steel Sinks

- SL3C10X14-2-12**
- SL3C10X14-2-16**
- SL3C12X16-2-12**
- SL3C12X16-2-18**

## Specifications

Spec-Line Deli Series Sink, with three compartments, no drainboards, 9" backsplash, 14 gauge, 300 series stainless steel top and bowl, stainless steel H-frame legs & adjustable feet, raised 1-1/2" rolled edge, includes 3-1/2" basket strainer, NSF approved

## Features

- 14 Ga. stainless steel
- Welded construction for consistent metal gauge thickness throughout
- 10" (254 mm) deep tub with 3/4" (19.1 mm) coved radius tub corners
- All Drainboards are die stamped for positive drainage
- 9" (228.6 mm) backsplash with tile ledge for easy installation
- Raised 1-1/2" (38.1 mm) diameter rolled edge
- 3-1/2" (88.9 mm) drain with basket strainers included
- 1-5/8" (41.3 mm) stainless steel H-Frame legs with 1" (25.4 mm) adjustable feet
- 2" (50.8 mm) divider between each tub

## Options

- Overshelves & Pot Racks
- Skirts & End Splashes
- Faucets
- Additional Modified Faucet Holes
- Tub & Drainboard Modifications
- Tub Accessories
- Disposer Provisions
- Rotary Drain Options
- Undershelves
- Additional Front or Back Crossbracing
- Stainless Steel Flange Foot Option

## Materials

- Sink & Bowl: 14 Ga. stainless steel
- Top: Drainboards and backsplash are 14 gauge stainless steel.
- Legs: All sinks furnished with 1-5/8" (41.3 mm) diameter heavy gauge stainless steel tubing with stainless steel leg gussets and high impact corrosion resistant fully adjustable 1" (25.4 mm) feet.

## Mechanical

- 1-1/8" (28.6mm) faucet holes on 8" (203mm) centers
- 3-1/2" (88.9mm) waste drain opening



**AUTOQUOTES**



*In keeping with our policy of continuing product improvement, Elkay SSP reserves the right to change product specifications without notice.*

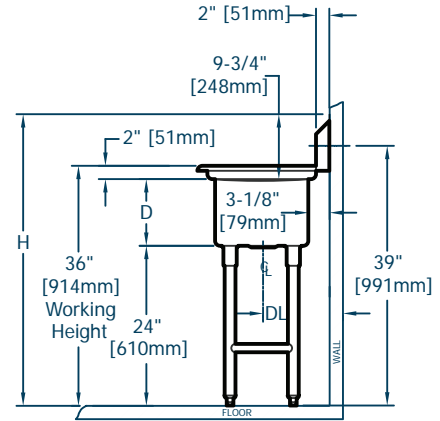
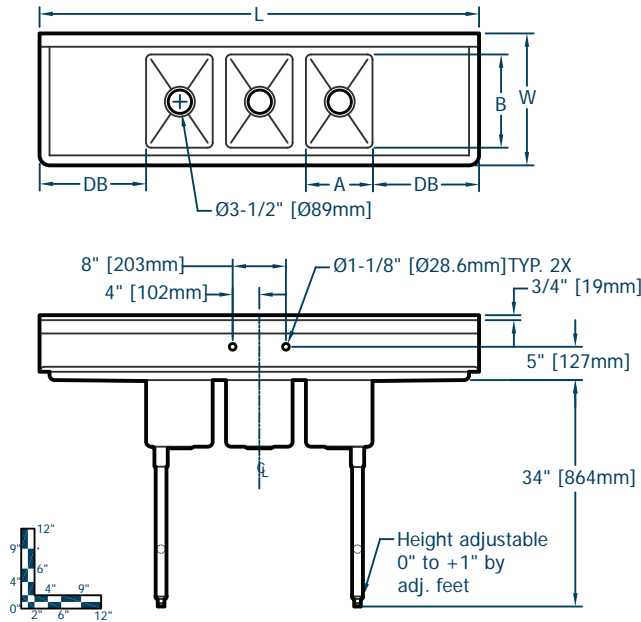
*This specification describes an Elkay SSP product with design, quality and functional benefits to the user. When making a comparison of other producers' offerings, be certain these features are not overlooked.*



Item No.: \_\_\_\_\_ Qty. \_\_\_\_\_  
 Model No.: \_\_\_\_\_  
 Project No.: \_\_\_\_\_

## Spec-Line Deli Series Sinks

10" Deep Spec-Line Deli Three Compartment Stainless Steel Sinks



Spec-Line Series Deli Sinks																			
Model Number	Bowl Dimensions						Overall Size			Drainboard		Drain Location		Weight					
	Width		Front-to-Back		Depth		Length		Width	Height		Location	Size	Location	lbs.	kg			
	A	mm	B	mm	D	mm	L	mm	W	mm	H	mm	DB	mm	DL	mm			
SL 3C 10 X 14 2 12	10	254	14	356	10	254	58	1473	19.8	503	44.8	1137	L & R	12	305	10.1	257	272	124
SL 3C 10 X 14 2 16	10	254	14	356	10	254	66	1676	19.8	503	44.8	1137	L & R	16	406	10.1	257	283	128
SL 3C 12 X 16 2 12	12	305	16	406	10	254	64	1626	21.8	554	44.8	1137	L & R	12	305	11.1	283	286	130
SL 3C 12 X 16 2 18	12	305	16	406	10	254	76	1930	21.8	554	44.8	1137	L & R	18	457	11.1	283	297	135

