

Item No.:	_____	Qty.	_____
Model No.:	_____		
Project No.:	_____		



Specifications

Spec-Line Deli Series Sink, with three compartments, right drainboard, 9" backsplash, 14 gauge, 300 series stainless steel top and bowl, stainless steel H-frame legs & adjustable feet, raised 1-1/2" rolled edge, includes 3-1/2" basket strainer, NSF approved

Features

- 14 Ga. stainless steel
- Welded construction for consistent metal gauge thickness throughout
- 10" (254 mm) deep tub with 3/4" (19.1 mm) coved radius tub corners
- Drainboard is die stamped for positive drainage
- 9" (228.6 mm) backsplash with tile ledge for easy installation
- Raised 1-1/2" (38.1 mm) diameter rolled edge
- 3-1/2" (88.9 mm) drain with basket strainers included
- 1-5/8" (41.3 mm) stainless steel H-Frame legs with 1" (25.4 mm) adjustable feet
- 2" (50.8 mm) divider between each tub

Spec-Line Deli Series Sinks

10" Deep Spec-Line Deli Three Compartment Stainless Steel Sinks

- SL3C10X14-R-12**
- SL3C10X14-R-16**
- SL3C12X16-R-12**
- SL3C12X16-R-18**

Options

- Overshelves & Pot Racks
- Skirts & End Splashes
- Faucets
- Additional Modified Faucet Holes
- Tub & Drainboard Modifications
- Tub Accessories
- Disposer Provisions
- Rotary Drain Options
- Undershelves
- Additional Front or Back Crossbracing
- Stainless Steel Flange Foot Option

Materials

- Sink & Bowl: 14 Ga. stainless steel
- Top: Drainboard and backsplash are 14 gauge stainless steel.
- Legs: All sinks furnished with 1-5/8" (41.3 mm) diameter heavy gauge stainless steel tubing with stainless steel leg gussets and high impact corrosion resistant fully adjustable 1" (25.4 mm) feet.

Mechanical

- 1-1/8" (28.6mm) faucet holes on 8" (203.2mm) centers
- 3-1/2" (88.9mm) waste drain opening



AUTOQUOTES



In keeping with our policy of continuing product improvement, Elkay SSP reserves the right to change product specifications without notice.

This specification describes an Elkay SSP product with design, quality and functional benefits to the user. When making a comparison of other producers' offerings, be certain these features are not overlooked.

Elkay SSP

421 N. Freya St.
Spokane, WA 99205
Phone: 800-726-0553 Fax: 509-535-1493

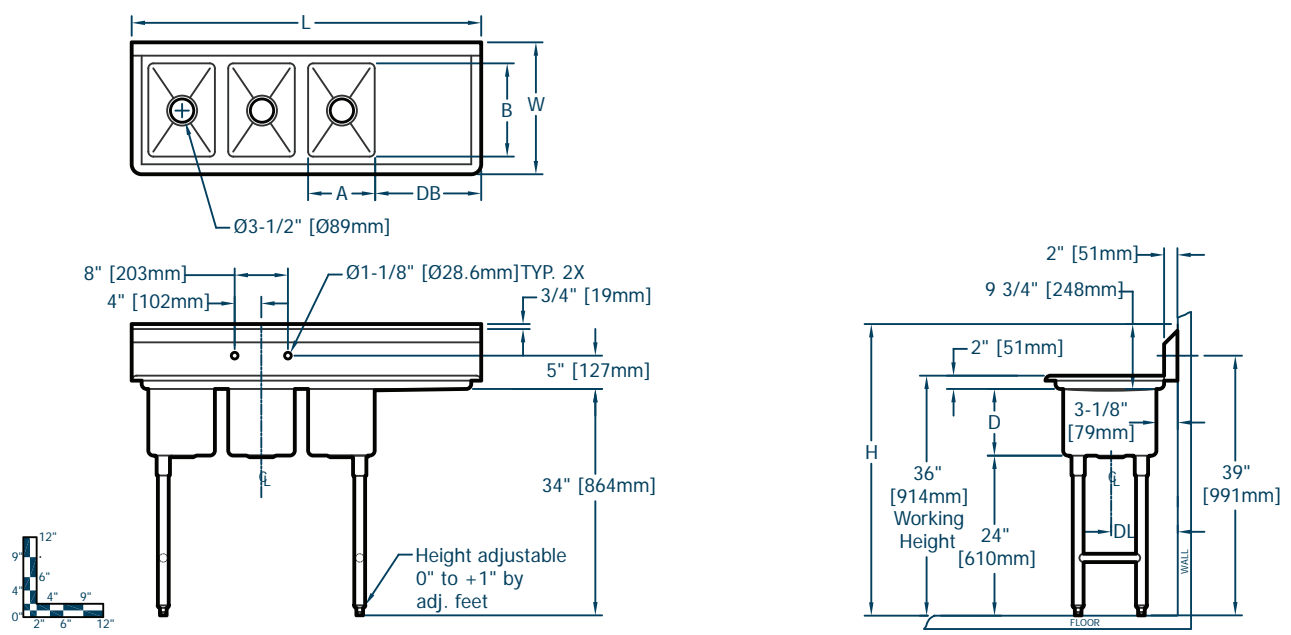
Website: www.sspinc.net
Email: sspsales@elkay.com
©2011 SSP INC.



Item No.: _____ Qty. _____
 Model No.: _____
 Project No.: _____

Spec-Line Deli Series Sinks

10" Deep Spec-Line Deli Three Compartment Stainless Steel Sinks



Spec-Line Series Deli Sinks																			
Model Number	Bowl Dimensions						Overall Size			Drainboard		Drain Location		Weight					
	Width		Front-to-Back		Depth		Length		Width		Height		Location	Size DB	Location DL	lbs.	kg		
	A	mm	B	mm	D	mm	L	mm	W	mm	H	mm		in.	mm	in.	mm		
SL 3C 10 X 14 R 12	10	254	14	356	10	254	48.5	1232	19.8	503	44.8	1137	Right	12	305	10.1	257	259	118
SL 3C 10 X 14 R 16	10	254	14	356	10	254	52.5	1334	19.8	503	44.8	1137	Right	16	406	10.1	257	265	120
SL 3C 12 X 16 R 12	12	305	16	406	10	254	54.5	1384	21.8	554	44.8	1137	Right	12	305	11.1	283	272	123
SL 3C 12 X 16 R 18	12	305	16	406	10	254	60.5	1537	21.8	554	44.8	1137	Right	18	457	11.1	283	278	126

