

Item No.:	_____	Qty.	_____
Model No.:	_____		
Project No.:	_____		



## 14" Spec-Line Series Sinks

14" Deep Spec-Line Series Three Compartment Stainless Steel Sinks

- |   |   |
|---|---|
| <input type="checkbox"/> SL3C16X20-2-18 | <input type="checkbox"/> SL3C20X20-2-24 |
| <input type="checkbox"/> SL3C16X20-2-24 | <input type="checkbox"/> SL3C20X28-2-20 |
| <input type="checkbox"/> SL3C18X18-2-18 | <input type="checkbox"/> SL3C20X28-2-24 |
| <input type="checkbox"/> SL3C18X18-2-24 | <input type="checkbox"/> SL3C24X24-2-24 |
| <input type="checkbox"/> SL3C18X24-2-18 | <input type="checkbox"/> SL3C24X24-2-30 |
| <input type="checkbox"/> SL3C18X24-2-24 | <input type="checkbox"/> SL3C24X30-2-24 |
| <input type="checkbox"/> SL3C18X30-2-18 | <input type="checkbox"/> SL3C24X30-2-30 |
| <input type="checkbox"/> SL3C18X30-2-24 | <input type="checkbox"/> SL3C30X30-2-24 |
| <input type="checkbox"/> SL3C20X20-2-20 | <input type="checkbox"/> SL3C30X30-2-30 |

## Options

- Overshelves & Pot Racks
- Skirts & End Splashes
- Faucets
- Additional Modified Faucet Holes
- Tub & Drainboard Modifications
- Tub Accessories
- Disposer Provisions
- Rotary Drain Options
- Undershelves
- Additional Front or Back Crossbracing
- Stainless Steel Flange Foot Option

## Materials

- Sink & Bowl: 14 Ga. stainless steel
- Top: Drainboards and backsplash are 14 gauge stainless steel.
- Legs: All sinks furnished with 1-5/8" (41.3 mm) diameter heavy gauge stainless steel tubing with stainless steel leg gussets and high impact corrosion resistant fully adjustable 1" (25.4 mm) feet.

## Mechanical

- 1-1/8" (28.6mm) faucet holes on 8" (203mm) centers
- 3-1/2" (88.9mm) waste drain opening



**AUTOQUOTES**



## Specifications

14" Spec-Line Series Sink, with three compartments, both left and right drainboards, 10" backsplash, 14 gauge, stainless steel top and bowl, stainless steel H-frame legs & adjustable feet, raised 1-1/2" rolled edge, includes 3-1/2" basket strainer, NSF approved

## Features

- 14 Ga. stainless steel
- Welded construction for consistent metal gauge thickness throughout
- 14" (355.6 mm) deep tub with 3/4" (19.1 mm) coved radius tub corners
- All Drainboards are die stamped for positive drainage
- 10" (254 mm) backsplash with tile ledge for easy installation
- Raised 1-1/2" (38.1 mm) diameter rolled edge
- 3-1/2" (88.9 mm) drain with basket strainers included
- 1-5/8" (41.3 mm) stainless steel H-Frame legs with 1" (25.4 mm) adjustable feet
- 2" (50.8 mm) divider between each tub

*In keeping with our policy of continuing product improvement, Elkay SSP reserves the right to change product specifications without notice.*

*This specification describes an Elkay SSP product with design, quality and functional benefits to the user. When making a comparison of other producers' offerings, be certain these features are not overlooked.*

### Elkay SSP

421 N. Freya St.  
Spokane, WA 99205  
Phone: 800-726-0553 Fax: 509-535-1493

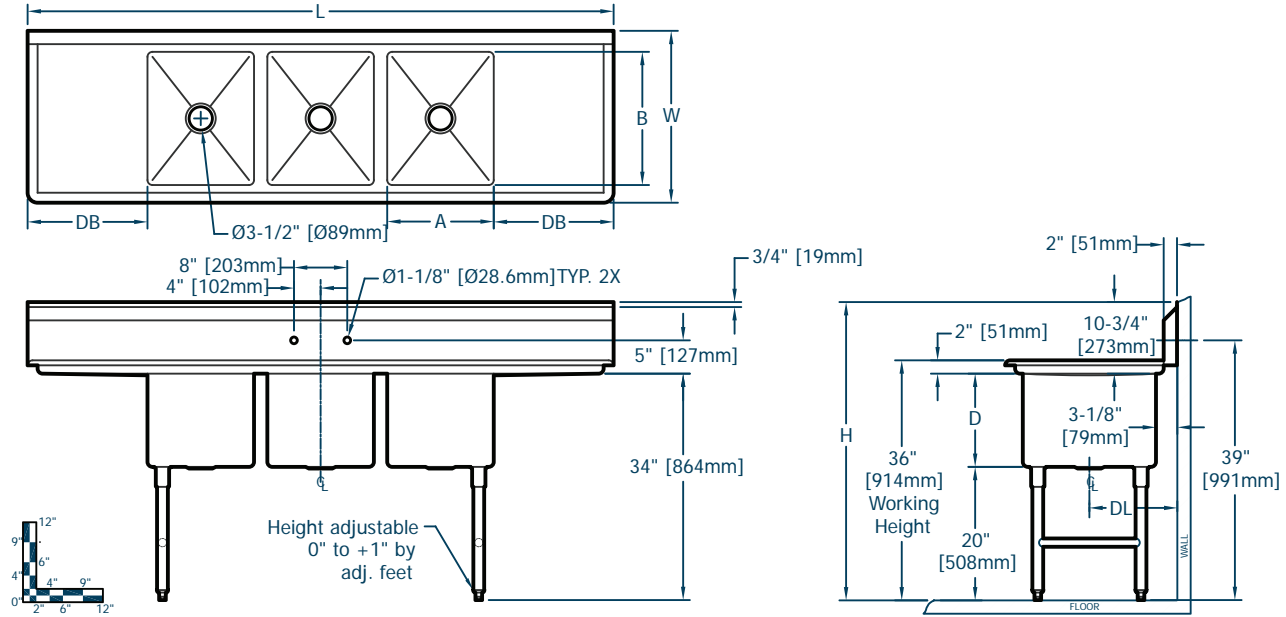
Website: [www.sspinc.net](http://www.sspinc.net)  
Email: [sspsales@elkay.com](mailto:sspsales@elkay.com)  
©2011 SSP INC.



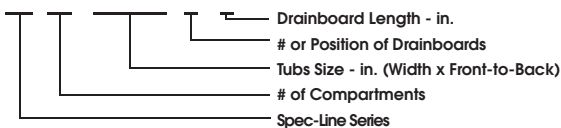
Item No.: \_\_\_\_\_ Qty. \_\_\_\_\_  
 Model No.: \_\_\_\_\_  
 Project No.: \_\_\_\_\_

## 14" Spec-Line Series Sinks

14" Deep Spec-Line Series Three Compartment Stainless Steel Sinks



Spec-Line Series Sinks																			
Model Number	Bowl Dimensions			Overall Size				Drainboard		Drain		Weight							
	Width		Front-to-Back	Length		Width		Height		Location	Size	Location		lbs.	kg				
	A	mm	B	mm	D	mm	L	mm	W	mm	H	mm	DB	mm	DL	mm			
SL 3C 16 X 20 2 18	16	406	20	508	14	356	88	2235	25.8	656	44.8	1137	L & R	18	457	13.1	333	251	114
SL 3C 16 X 20 2 24	16	406	20	508	14	356	100	2540	25.8	656	44.8	1137	L & R	24	610	13.1	333	260	118
SL 3C 18 X 18 2 18	18	457	18	457	14	356	94	2388	23.8	605	44.8	1137	L & R	18	457	12.1	308	258	117
SL 3C 18 X 18 2 24	18	457	18	457	14	356	106	2692	23.8	605	44.8	1137	L & R	24	610	12.1	308	275	125
SL 3C 18 X 24 2 18	18	457	24	610	14	356	94	2388	29.8	757	44.8	1137	L & R	18	457	15.1	384	287	130
SL 3C 18 X 24 2 24	18	457	24	610	14	356	106	2692	29.8	757	44.8	1137	L & R	24	610	15.1	384	306	139
SL 3C 18 X 30 2 18	18	457	30	762	14	356	94	2388	35.8	910	44.8	1137	L & R	18	457	18.1	460	301	137
SL 3C 18 X 30 2 24	18	457	30	762	14	356	106	2692	35.8	910	44.8	1137	L & R	24	610	18.1	460	322	146
SL 3C 20 X 20 2 20	20	508	20	508	14	356	104	2642	25.8	656	44.8	1137	L & R	20	508	13.1	333	307	139
SL 3C 20 X 20 2 24	20	508	20	508	14	356	112	2845	25.8	656	44.8	1137	L & R	24	610	13.1	333	318	144
SL 3C 20 X 28 2 20	20	508	28	711	14	356	104	2642	33.8	859	44.8	1137	L & R	20	508	17.1	435	332	151
SL 3C 20 X 28 2 24	20	508	28	711	14	356	112	2845	33.8	859	44.8	1137	L & R	24	610	17.1	435	326	148
SL 3C 24 X 24 2 24	24	610	24	610	14	356	124	3150	29.8	757	44.8	1137	L & R	24	610	15.1	384	360	163
SL 3C 24 X 24 2 30	24	610	24	610	14	356	136	3454	29.8	757	44.8	1137	L & R	30	762	15.1	384	404	183
SL 3C 24 X 30 2 24	24	610	30	762	14	356	124	3150	35.8	910	44.8	1137	L & R	24	610	18.1	460	382	173
SL 3C 24 X 30 2 30	24	610	30	762	14	356	136	3454	35.8	910	44.8	1137	L & R	30	762	18.1	460	444	202
SL 3C 30 X 30 2 24	30	762	30	762	14	356	142	3607	35.8	910	44.8	1137	L & R	24	610	18.1	460	449	204
SL 3C 30 X 30 2 30	30	762	30	762	14	356	154	3912	35.8	910	44.8	1137	L & R	30	762	18.1	460	513	233



**Elkay SSP**  
 421 N. Freya St.  
 Spokane, WA 99205  
 Phone: 800-726-0553 Fax: 509-535-1493

Website: [www.sspinc.net](http://www.sspinc.net)  
 Email: [sspsales@elkay.com](mailto:sspsales@elkay.com)  
 ©2011 SSP INC.