

Item No.:	_____	Qty.	_____
Model No.:	_____		
Project No.:	_____		



## 14" Spec-Line Series Sinks

14" Deep Spec-Line Series Three Compartment Stainless Steel Sinks

- SL3C16X20-0
- SL3C18X18-0
- SL3C18X24-0
- SL3C18X30-0
- SL3C20X20-0
- SL3C20X28-0
- SL3C24X24-0
- SL3C24X30-0
- SL3C30X30-0

### Options

- Overshelves & Pot Racks
- Skirts & End Splashes
- Faucets
- Additional Modified Faucet Holes
- Tub & Drainboard Modifications
- Tub Accessories
- Disposer Provisions
- Rotary Drain Options
- Undershelves
- Additional Front or Back Crossbracing
- Stainless Steel Flange Foot Option

### Materials

- Sink & Bowl: 14 Ga. stainless steel
- Top: Backsplash is 14 gauge stainless steel.
- Legs: All sinks furnished with 1-5/8" (41.3 mm) diameter heavy gauge stainless steel tubing with stainless steel leg gussets and high impact corrosion resistant fully adjustable 1" (25.4 mm) feet.

### Mechanical

- 1-1/8" (28.6mm) faucet holes on 8" (203.2mm) centers
- 3-1/2" (88.9mm) waste drain opening

### Specifications

14" Spec-Line Series Sink, with three compartments, no drainboards, 10" backplash, 14 gauge, stainless steel top and bowl, stainless steel H-frame legs & adjustable feet, raised 1-1/2" rolled edge, includes 3-1/2" basket strainer, NSF approved

### Features

- 14 Ga. stainless steel
- Welded construction for consistent metal gauge thickness throughout
- 14" (355.6 mm) deep tub with 3/4" (19.1 mm) coved radius tub corners
- 10" (254 mm) backplash with tile ledge for easy installation
- Raised 1-1/2" (38.1 mm) diameter rolled edge 3-1/2" (88.9 mm) drain with basket strainers
- included
- 1-5/8" (41.3 mm) stainless steel H-frame legs with 1" (25.4 mm) adjustable feet
- 2" (50.8 mm) divider between each tub



**AUTOQUOTES**



*In keeping with our policy of continuing product improvement, Elkay SSP reserves the right to change product specifications without notice.*

*This specification describes an Elkay SSP product with design, quality and functional benefits to the user. When making a comparison of other producers' offerings, be certain these features are not overlooked.*

#### Elkay SSP

421 N. Freya St.  
Spokane, WA 99205  
Phone: 800-726-0553 Fax: 509-535-1493

Website: [www.sspinc.net](http://www.sspinc.net)  
Email: [sspsales@elkay.com](mailto:sspsales@elkay.com)  
©2011 SSP INC.



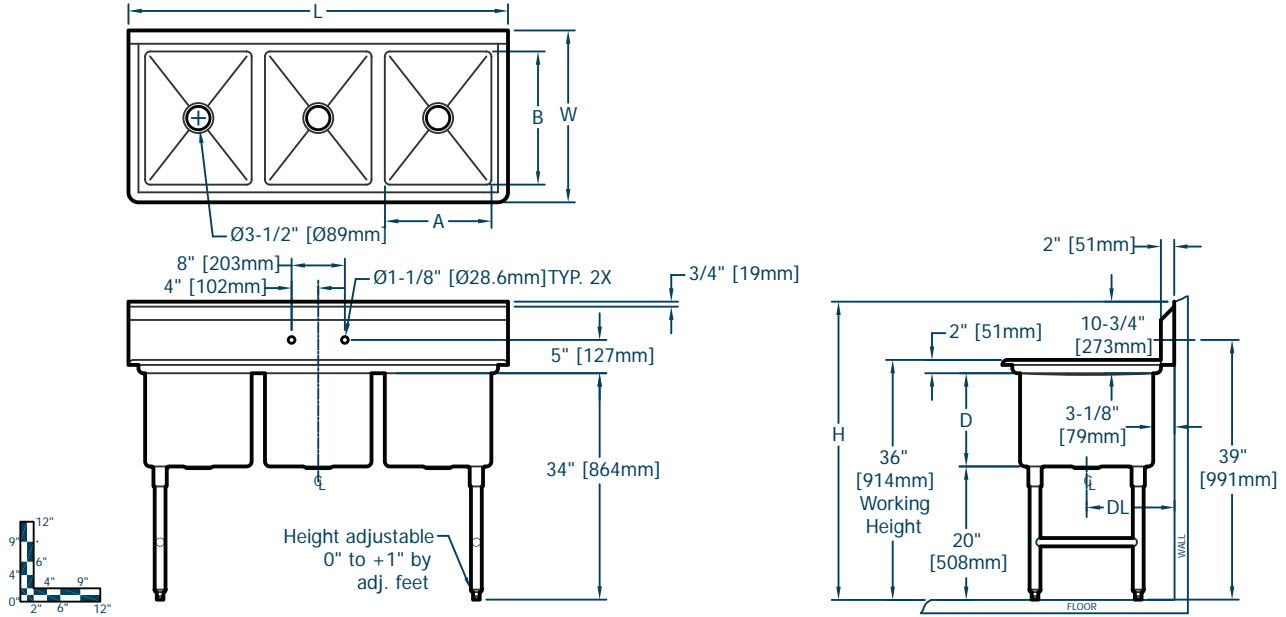
Item No.: \_\_\_\_\_ Qty. \_\_\_\_\_

Model No.: \_\_\_\_\_

Project No.: \_\_\_\_\_

## 14" Spec-Line Series Sinks

14" Deep Spec-Line Series Three Compartment Stainless Steel Sinks



Spec-Line Series Sinks																			
Model Number	Bowl Dimensions						Overall Size			Drainboard		Drain Location		Weight					
	Width		Front-to-Back		Depth		Length		Width		Height		Location	Size DB	Location DL		lbs.	kg	
	A	mm	B	mm	D	mm	L	mm	W	mm	H	mm		in.	mm	in.	mm		
SL 3C 16 X 20 0	16	406	20	508	14	356	57	1448	25.8	656	44.8	1137	No	0	0	13.1	333	204	93
SL 3C 18 X 18 0	18	457	18	457	14	356	63	1600	23.8	605	44.8	1137	No	0	0	12.1	308	213	96
SL 3C 18 X 24 0	18	457	24	610	14	356	63	1600	29.8	757	44.8	1137	No	0	0	15.1	384	237	108
SL 3C 18 X 30 0	18	457	30	762	14	356	63	1600	35.8	910	44.8	1137	No	0	0	18.1	460	250	114
SL 3C 20 X 20 0	20	508	20	508	14	356	69	1753	25.8	656	44.8	1137	No	0	0	13.1	333	254	115
SL 3C 20 X 28 0	20	508	28	711	14	356	69	1753	33.8	859	44.8	1137	No	0	0	17.1	435	229	104
SL 3C 24 X 24 0	24	610	24	610	14	356	81	2057	29.8	757	44.8	1137	No	0	0	15.1	384	291	132
SL 3C 24 X 30 0	24	610	30	762	14	356	81	2057	35.8	910	44.8	1137	No	0	0	18.1	460	320	145
SL 3C 30 X 30 0	30	762	30	762	14	356	99	2515	35.8	910	44.8	1137	No	0	0	18.1	460	389	177

