

Item No.:	_____	Qty.	_____
Model No.:	_____		
Project No.:	_____		



Specifications

14" Spec-Line Series Sink, with three compartments, left drainboard, 10" backsplash, 14 gauge, stainless steel top and bowl, stainless steel H-frame legs & adjustable feet, raised 1-1/2" rolled edge, includes 3-1/2" basket strainer, NSF approved

Features

- 14 Ga. stainless steel
- Welded construction for consistent metal gauge thickness throughout
- 14" (355.6 mm) deep tub with 3/4" (19.1 mm) coved radius tub corners
- Drainboard is die stamped for positive drainage
- 10" (254 mm) backsplash with tile ledge for easy installation
- Raised 1-1/2" (38.1 mm) diameter rolled edge
- 3-1/2" (88.9 mm) drain with basket strainers included
- 1-5/8" (41.3 mm) stainless steel H-Frame legs with 1" (25.4 mm) adjustable feet
- 2" (50.8 mm) divider between each tub

14" Spec-Line Series Sinks

14" Deep Spec-Line Series Three Compartment Stainless Steel Sinks

- | | |
|-----------------------------------------|-----------------------------------------|
| <input type="checkbox"/> SL3C16X20-L-18 | <input type="checkbox"/> SL3C20X20-L-24 |
| <input type="checkbox"/> SL3C16X20-L-24 | <input type="checkbox"/> SL3C20X28-L-20 |
| <input type="checkbox"/> SL3C18X18-L-18 | <input type="checkbox"/> SL3C20X28-L-24 |
| <input type="checkbox"/> SL3C18X18-L-24 | <input type="checkbox"/> SL3C24X24-L-24 |
| <input type="checkbox"/> SL3C18X24-L-18 | <input type="checkbox"/> SL3C24X24-L-30 |
| <input type="checkbox"/> SL3C18X24-L-24 | <input type="checkbox"/> SL3C24X30-L-24 |
| <input type="checkbox"/> SL3C18X30-L-18 | <input type="checkbox"/> SL3C24X30-L-30 |
| <input type="checkbox"/> SL3C18X30-L-24 | <input type="checkbox"/> SL3C30X30-L-24 |
| <input type="checkbox"/> SL3C20X20-L-20 | <input type="checkbox"/> SL3C30X30-L-30 |

Options

- Overshelves & Pot Racks
- Skirts & End Splashes
- Faucets
- Additional Modified Faucet Holes
- Tub & Drainboard Modifications
- Tub Accessories
- Disposer Provisions
- Rotary Drain Options
- Undershelves
- Additional Front or Back Crossbracing
- Stainless Steel Flange Foot Option

Materials

- Sink & Bowl: 14 Ga. stainless steel
- Top: Drainboard and backsplash are 14 gauge stainless steel.
- Legs: All sinks furnished with 1-5/8" (41.3 mm) diameter heavy gauge stainless steel tubing with stainless steel leg gussets and high impact corrosion resistant fully adjustable 1" (25.4 mm) feet.

Mechanical

- 1-1/8" (28.6mm) faucet holes on 8" (203.2mm) centers
- 3-1/2" (88.9mm) waste drain opening



AUTOQUOTES



In keeping with our policy of continuing product improvement, Elkay SSP reserves the right to change product specifications without notice.

This specification describes an Elkay SSP product with design, quality and functional benefits to the user. When making a comparison of other producers' offerings, be certain these features are not overlooked.

Elkay SSP

421 N. Freya St.
Spokane, WA 99205
Phone: 800-726-0553 Fax: 509-535-1493

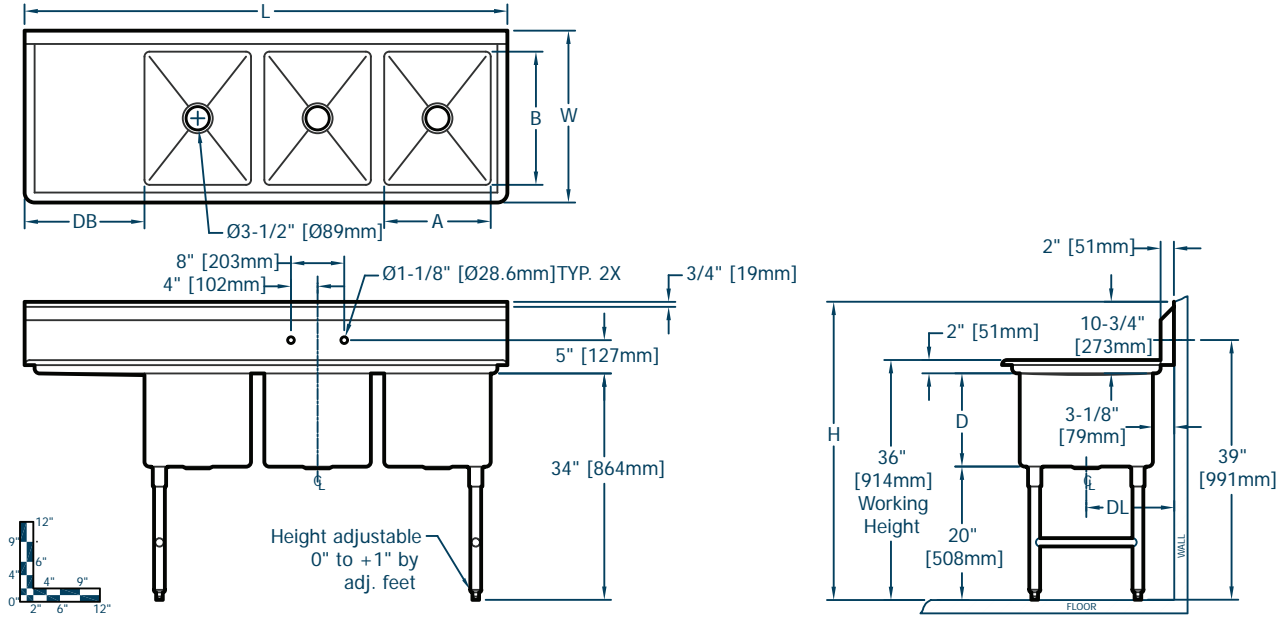
Website: www.sspinc.net
Email: sspsales@elkay.com
©2011 SSP INC.



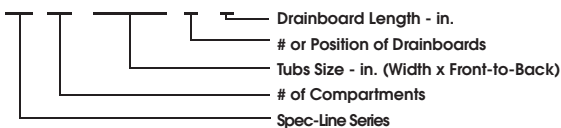
Item No.: _____ Qty. _____
 Model No.: _____
 Project No.: _____

14" Spec-Line Series Sinks

14" Deep Spec-Line Series Three Compartment Stainless Steel Sinks



Spec-Line Series Sinks												
Model Number	Bowl Dimensions			Overall Size			Drainboard		Drain Location		Weight	
	Width A	Front-to-Back B	Depth D	Length L	Width W	Height H	Location	Size DB	Location DL	lbs.	kg	
SL 3C 16 X 20 L 18	16	20	14	72.5	25.8	44.8	Left	18	13.1	227	103	
SL 3C 16 X 20 L 24	16	20	14	78.5	25.8	44.8	Left	24	13.1	228	103	
SL 3C 18 X 18 L 18	18	18	14	78.5	23.8	44.8	Left	18	12.1	235	107	
SL 3C 18 X 18 L 24	18	18	14	84.5	23.8	44.8	Left	24	12.1	244	111	
SL 3C 18 X 24 L 18	18	24	14	78.5	29.8	44.8	Left	18	15.1	262	119	
SL 3C 18 X 24 L 24	18	24	14	84.5	29.8	44.8	Left	24	15.1	271	123	
SL 3C 18 X 30 L 18	18	30	14	78.5	35.8	44.8	Left	18	18.1	274	124	
SL 3C 18 X 30 L 24	18	30	14	84.5	35.8	44.8	Left	24	18.1	284	129	
SL 3C 20 X 20 L 20	20	20	14	86.5	25.8	44.8	Left	20	13.1	280	127	
SL 3C 20 X 20 L 24	20	20	14	90.5	25.8	44.8	Left	24	13.1	286	130	
SL 3C 20 X 28 L 20	20	28	14	86.5	33.8	44.8	Left	20	17.1	302	137	
SL 3C 20 X 28 L 24	20	28	14	90.5	33.8	44.8	Left	24	17.1	288	131	
SL 3C 24 X 24 L 24	24	24	14	102.5	29.8	44.8	Left	24	15.1	325	147	
SL 3C 24 X 24 L 30	24	24	14	108.5	29.8	44.8	Left	30	15.1	347	158	
SL 3C 24 X 30 L 24	24	30	14	102.5	35.8	44.8	Left	24	18.1	313	142	
SL 3C 24 X 30 L 30	24	30	14	108.5	35.8	44.8	Left	30	18.1	382	173	
SL 3C 30 X 30 L 24	30	30	14	120.5	35.8	44.8	Left	24	18.1	411	187	
SL 3C 30 X 30 L 30	30	30	14	126.5	35.8	44.8	Left	30	18.1	451	205	



Elkay SSP
 421 N. Freya St.
 Spokane, WA 99205
 Phone: 800-726-0553 Fax: 509-535-1493

Website: www.sspinc.net
 Email: sspsales@elkay.com
 ©2011 SSP INC.