

Item No.:	_____	Qty.:	_____
Model No.:	_____		
Project No.:	_____		



Specifications

Spec-Line Clean Dish Table, straight design, left-to-right operation, 10" high backsplash with 2" return, 14 gauge stainless steel top, stainless steel legs with adjustable feet, NSF approved

Features

- 14 Ga. stainless steel
- Welded construction for consistent metal gauge thickness throughout
- 10" (254 mm) backsplash with tile edge for easy installation
- All dish tables are sloped for positive drainage
- Raised 1-1/2" (38.1 mm) diameter rolled edge
- 1-5/8" (41.3 mm) galvanized H-Frame legs with 1" (25.4 mm) adjustable plastic feet

Spec-Line Series Clean Dish Table

Spec-Line Series Left-to-Right Straight Clean Dish Table

- | | |
|--|---|
| <input type="checkbox"/> SLCDT-24-R | <input type="checkbox"/> SLCDT-84-R |
| <input type="checkbox"/> SLCDT-30-R | <input type="checkbox"/> SLCDT-96-R |
| <input type="checkbox"/> SLCDT-36-R | <input type="checkbox"/> SLCDT-108-R |
| <input type="checkbox"/> SLCDT-48-R | <input type="checkbox"/> SLCDT-120-R |
| <input type="checkbox"/> SLCDT-60-R | <input type="checkbox"/> SLCDT-132-R |
| <input type="checkbox"/> SLCDT-72-R | <input type="checkbox"/> SLCDT-144-R |

Options

- Pass Thru
- Additional weld-in bowls (please specify size)
- Quick Drain
- Scrap Baskets with Rack Slides
- Undershelves
- End Splash

* For additional available options, contact Elkay SSP

Materials

- Top: Backsplash is 14 gauge 300 series stainless steel
- Legs: All sinks furnished with 1-5/8" (41.3 mm) diameter heavy gauge stainless steel tubing with stainless leg gussets and high impact corrosion resistant fully adjustable 1" (25.4 mm) feet



AUTOQUOTES



In keeping with our policy of continuing product improvement, Elkay SSP reserves the right to change product specifications without notice.

This specification describes an Elkay SSP product with design, quality and functional benefits to the user. When making a comparison of other producers' offerings, be certain these features are not overlooked.

Elkay SSP

421 N. Freya St.
Spokane, WA 99205
Phone: 800-726-0553 Fax: 509-535-1493

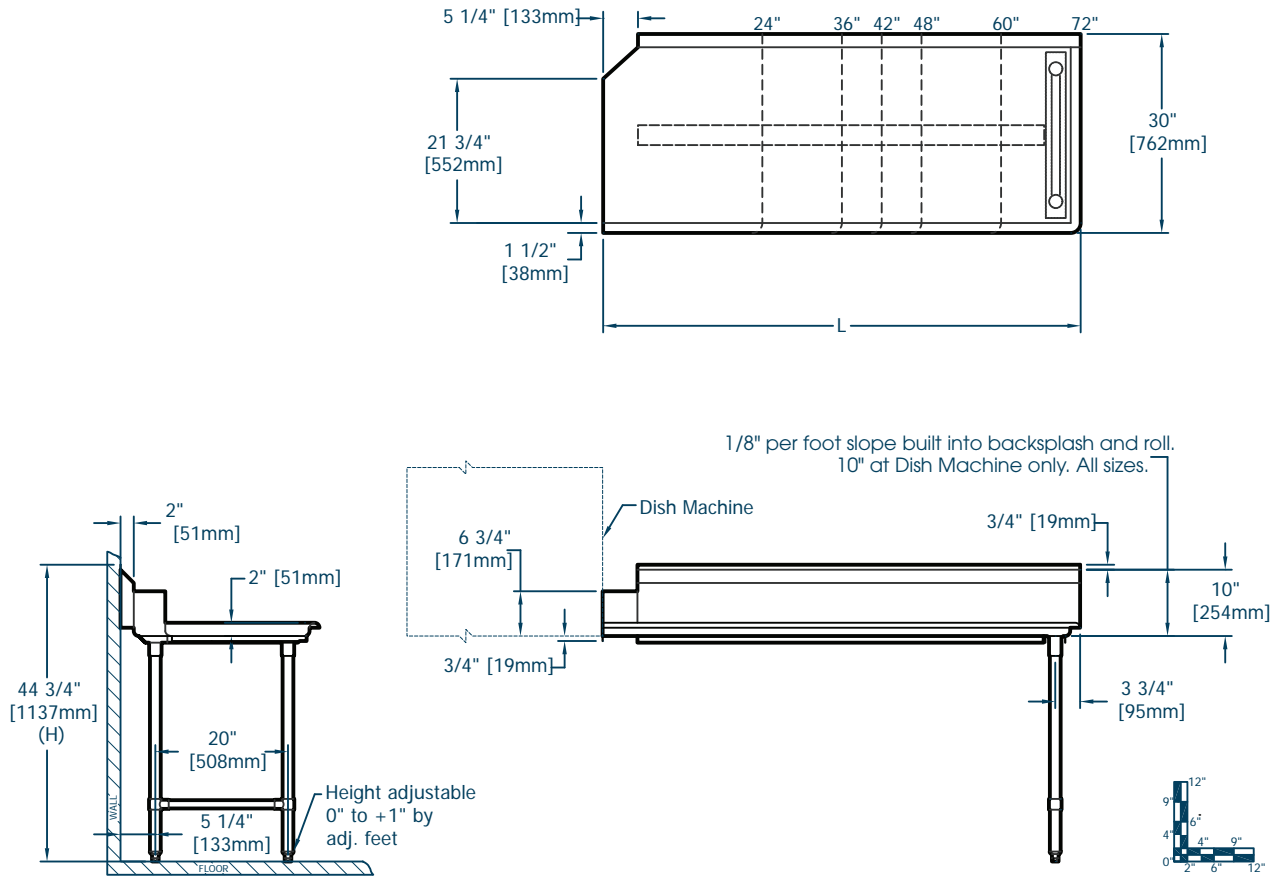
Website: www.sspinc.net
Email: sspsales@elkay.com

©2011 Elkay

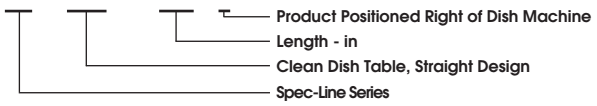


Item No.: _____ Qty.: _____
 Model No.: _____
 Project No.: _____

SLCDT
24" - 72"



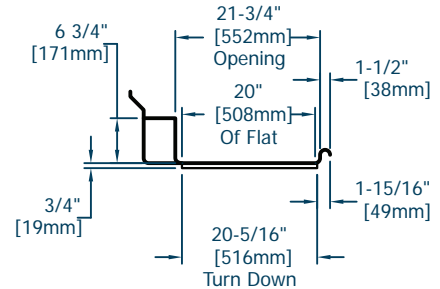
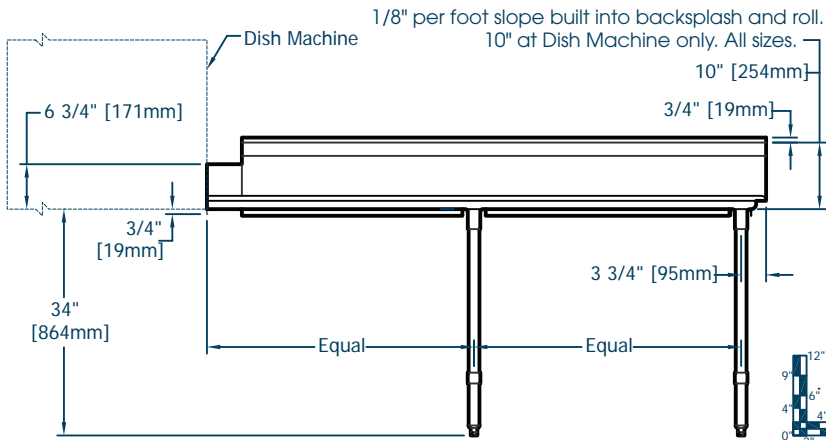
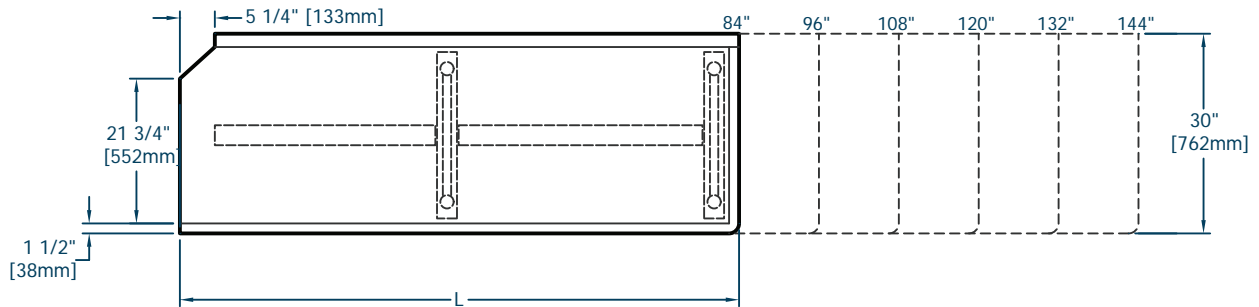
Spec-Line Series Straight Clean Dish Tables										
Model Number	Length		Overall Size		Height		Weight		lbs.	kg
	L		W		H					
	in.	mm	in.	mm	in.	mm				
SL CDT - 24 - R	24	609.6	30	762	44.75	1137	61	28		
SL CDT - 30 - R	30	762	30	762	45.75	1162	69	31		
SL CDT - 36 - R	36	914.4	30	762	44.75	1137	80	36		
SL CDT - 48 - R	48	1219	30	762	44.75	1137	96	44		
SL CDT - 60 - R	60	1524	30	762	44.75	1137	117	53		
SL CDT - 72 - R	72	1829	30	762	44.75	1137	133	61		
SL CDT - 84 - R	84	2134	30	762	44.75	1137	169	77		
SL CDT - 96 - R	96	2438	30	762	44.75	1137	186	84		
SL CDT - 108 - R	108	2743	30	762	44.75	1137	210	95		
SL CDT - 120 - R	120	3048	30	762	44.75	1137	227	103		
SL CDT - 132 - R	132	3353	30	762	44.75	1137	253	115		
SL CDT - 144 - R	144	3658	30	762	44.75	1137	270	123		



Elkay SSP
 421 N. Freya St.
 Spokane, WA 99205
 Phone: 800-726-0553 Fax: 509-535-1493

Website: www.sspinc.net
 Email: sspsales@elkay.com
 ©2011 Elkay

SLCDT
 84" - 144"



Dish Machine Connection Detail

