

Item No.:	_____	Qty.:	_____
Model No.:	_____		
Project No.:	_____		



Specifications

Spec-Line L-Shaped Clean Dish Table, corner design, left-to-right operation, 10" high backsplash with 2" return, 16 gauge stainless steel top, galvanized bracing & legs with adjustable plastic feet, NSF approved

Features

- 14 Ga. stainless steel
- Welded construction for consistent metal gauge thickness throughout
- 10" (254 mm) backsplash with tile edge for easy installation
- All dish tables are sloped for positive drainage
- Raised 1-1/2" (38.1 mm) diameter rolled edge
- 1-5/8" (41.3 mm) stainless steel H-Frame legs with 1" (25.4 mm) adjustable plastic feet

Spec-Line Series Clean Dish Table

Spec-Line Series Left-to-Right L-Shaped Clean Dish Table

- | | |
|---|--|
| <input type="checkbox"/> SLCDTL-36-R | <input type="checkbox"/> SLCDTL-96-R |
| <input type="checkbox"/> SLCDTL-48-R | <input type="checkbox"/> SLCDTL-108-R |
| <input type="checkbox"/> SLCDTL-60-R | <input type="checkbox"/> SLCDTL-120-R |
| <input type="checkbox"/> SLCDTL-72-R | <input type="checkbox"/> SLCDTL-132-R |
| <input type="checkbox"/> SLCDTL-84-R | <input type="checkbox"/> SLCDTL-144-R |

Options

- Pass Thru
- Additional weld-in bowls (please specify size)
- Quick Drain
- Scrap Baskets with Rack Slides
- Curved Rack Guide
- Undershelves
- End Splash

* For additional available options, contact Elkay SSP

Materials

- Top: Backsplash is 14 gauge 300 series stainless steel
- Legs: All sinks furnished with 1-5/8" (41.3 mm) diameter heavy gauge stainless steel tubing with stainless leg gussets and high impact corrosion resistant fully adjustable 1" (25.4 mm) stainless steel feet



AUTOQUOTES



In keeping with our policy of continuing product improvement, Elkay SSP reserves the right to change product specifications without notice.

This specification describes an Elkay SSP product with design, quality and functional benefits to the user. When making a comparison of other producers' offerings, be certain these features are not overlooked.

Elkay SSP
 421 N. Freya St.
 Spokane, WA 99205
 Phone: 800-726-0553 Fax: 509-535-1493

Website: www.sspinc.net
 Email: sspsales@elkay.com
 ©2011 Elkay

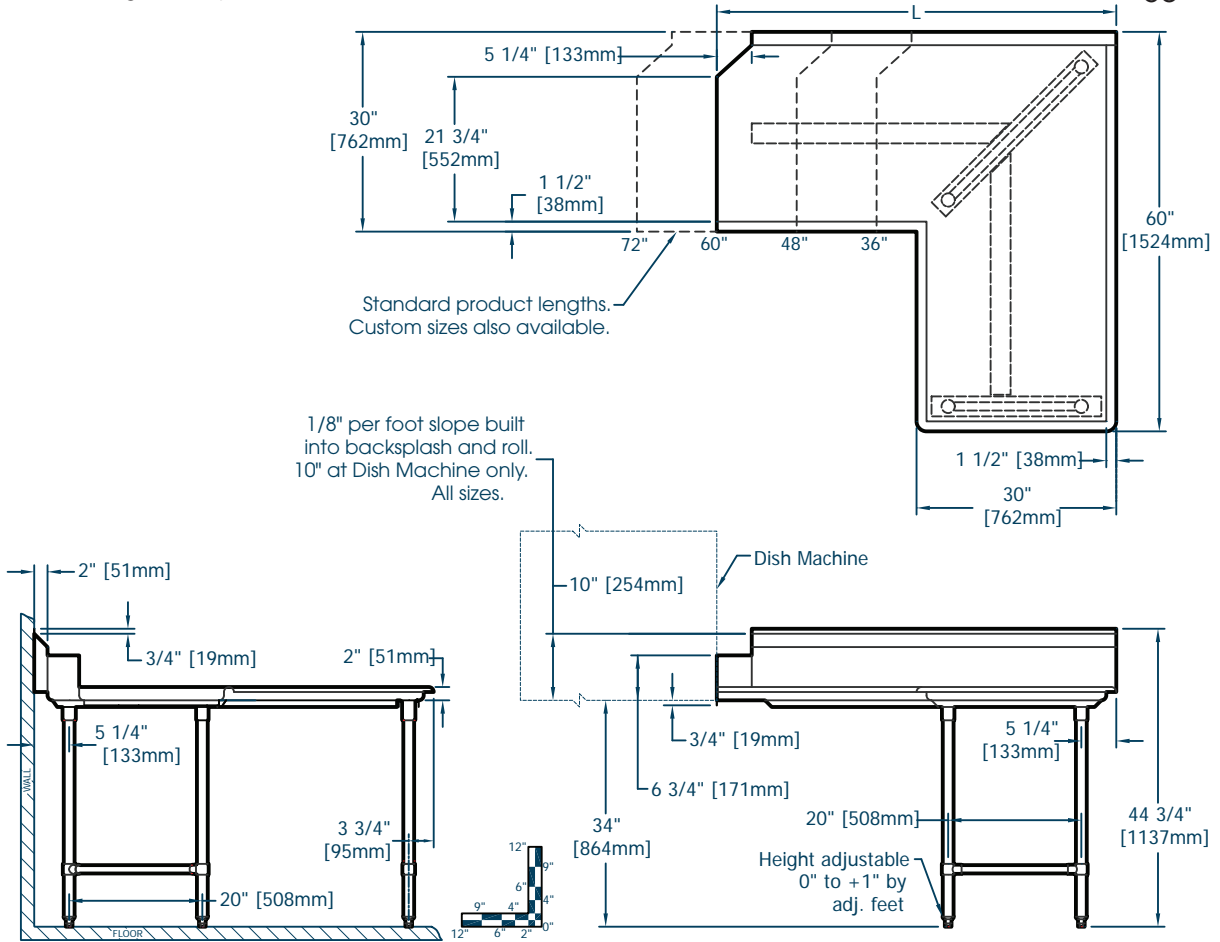


Item No.: _____ Qty.: _____
 Model No.: _____
 Project No.: _____

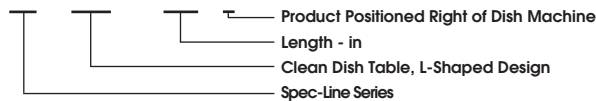
Spec-Line Series Clean Dish Table

Spec-Line Series Left-to-Right L-Shaped Clean Dish Table

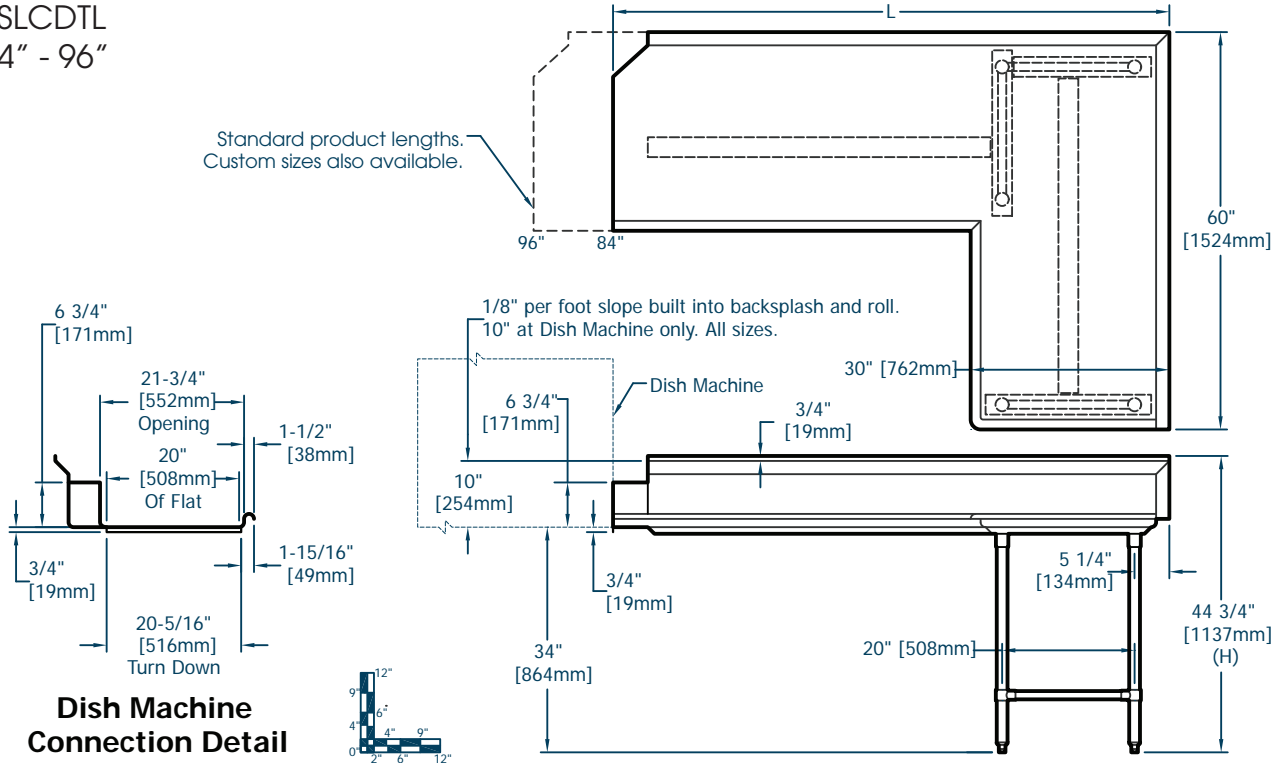
SLCDTL
36" - 72"



Spec-Line Series Clean L-Shaped Dish Tables									
Model Number	Overall Size						Weight		
	Length L		Width W		Height H		lbs.	kg	
	in.	mm	in.	mm	in.	mm			
SL CDTL - 36 - R	36	914.4	30	762	44.75	1137	129	59	
SL CDTL - 48 - R	48	1219	30	762	44.75	1137	154	70	
SL CDTL - 60 - R	60	1524	30	762	44.75	1137	175	80	
SL CDTL - 72 - R	72	1829	30	762	44.75	1137	192	87	
SL CDTL - 84 - R	84	2134	30	762	44.75	1137	223	101	
SL CDTL - 96 - R	96	2438	30	762	44.75	1137	240	109	
SL CDTL - 108 - R	108	2743	30	762	44.75	1137	278	127	
SL CDTL - 120 - R	120	3048	30	762	44.75	1137	296	135	
SL CDTL - 132 - R	132	3353	30	762	44.75	1137	323	147	
SL CDTL - 144 - R	144	3658	30	762	44.75	1137	339	154	



SLCDTL
 84" - 96"



SLCDTL
 108" - 144"

