

Item No.:	_____	Qty.:	_____
Model No.:	_____		
Project No.:	_____		



## Spec-Line Series Clean Dish Table

*Spec-Line Series Right-to-Left L-Shaped Island Clean Dish Table*

- |                                       |  |
|---------------------------------------|--|
| <input type="checkbox"/> SLCDTLI-36-L | <input type="checkbox"/> SLCDTLI-96-L  |
| <input type="checkbox"/> SLCDTLI-48-L | <input type="checkbox"/> SLCDTLI-108-L |
| <input type="checkbox"/> SLCDTLI-60-L | <input type="checkbox"/> SLCDTLI-120-L |
| <input type="checkbox"/> SLCDTLI-72-L | <input type="checkbox"/> SLCDTLI-132-L |
| <input type="checkbox"/> SLCDTLI-84-L | <input type="checkbox"/> SLCDTLI-144-L |

### Specifications

Spec-Line L-Shaped Clean Dish Table, island design, right-to-left operation, 10" high backsplash with 2" return, 1-1/2" rolled edges on open sides, 14 gauge stainless steel top, stainless steel bracing & legs with adjustable feet, NSF approved

### Features

- 14 Ga. stainless steel
- Welded construction for consistent metal gauge thickness throughout
- 10" (254 mm) backsplash with tile edge for easy installation
- All dish tables are sloped for positive drainage
- Raised 1-1/2" (38.1 mm) diameter rolled edge
- 1-5/8" (41.3 mm) galvanized H-Frame legs with 1" (25.4 mm) adjustable plastic feet

### Options

- Pass Thru
- Additional weld-in bowls (please specify size)
- Quick Drain
- Scrap Baskets with Rack Slides
- Curved Rack Guide
- Undershelves
- End Splash

\* For additional available options, contact Elkay SSP

### Materials

- Top: Backsplash is 14 gauge 300 series stainless steel
- Legs: All sinks furnished with 1-5/8" (41.3 mm) diameter heavy gauge stainless steel tubing with stainless leg gussets and high impact corrosion resistant fully adjustable 1" (25.4 mm) feet



**AUTOQUOTES**



*In keeping with our policy of continuing product improvement, Elkay SSP reserves the right to change product specifications without notice.*

*This specification describes an Elkay SSP product with design, quality and functional benefits to the user. When making a comparison of other producers' offerings, be certain these features are not overlooked.*

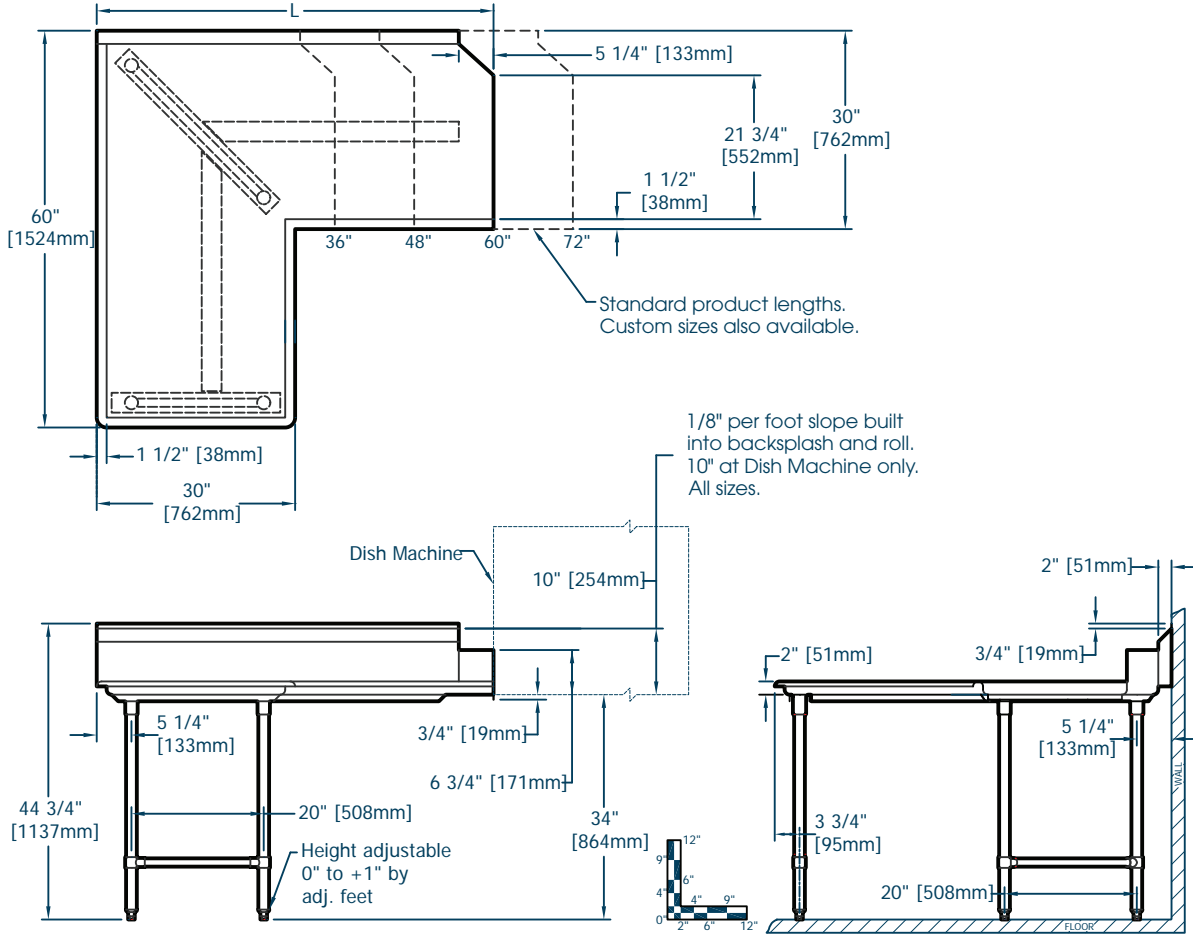


Item No.: \_\_\_\_\_ Qty.: \_\_\_\_\_  
 Model No.: \_\_\_\_\_  
 Project No.: \_\_\_\_\_

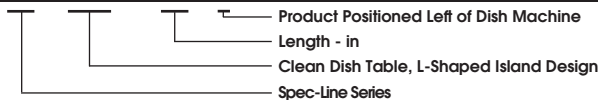
### Spec-Line Series Clean Dish Table

Spec-Line Series Right-to-Left L-Shaped Island Clean Dish Table

SLCDTLI  
36" - 72"



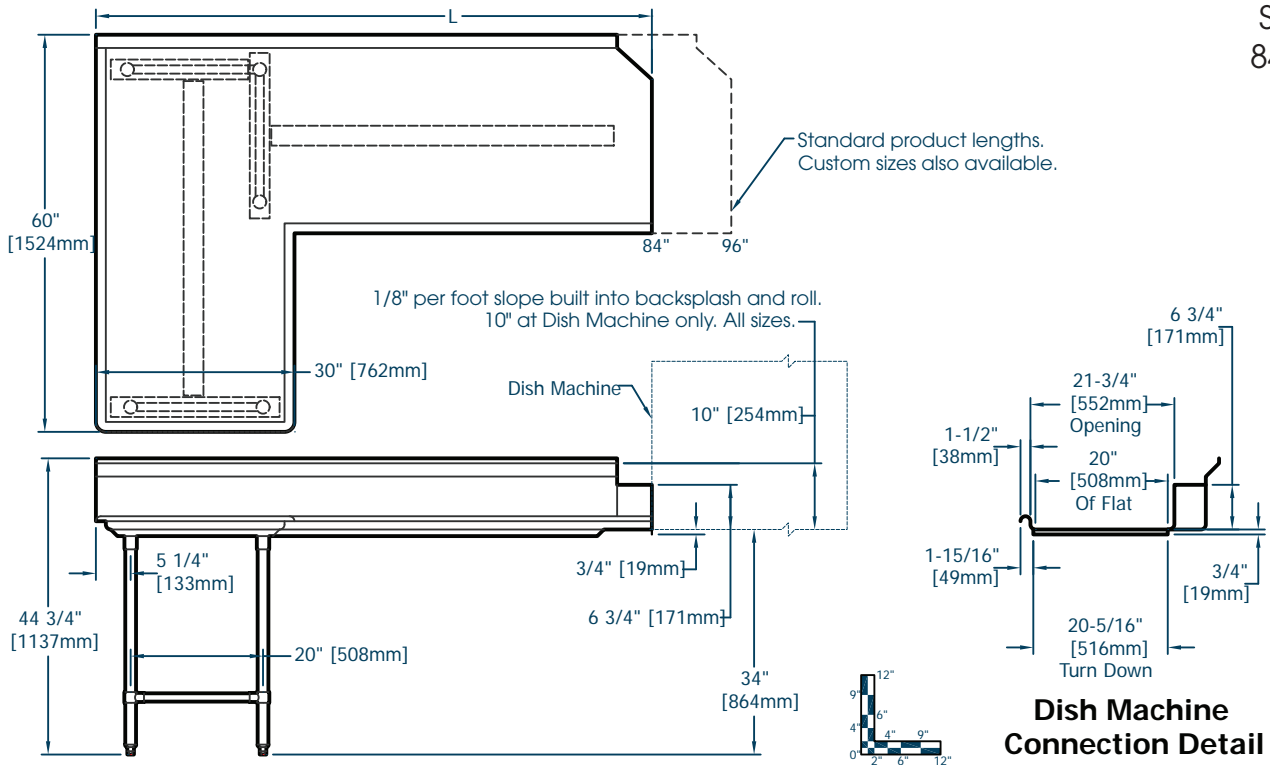
Spec-Line Series Clean L-Shaped Island Dish Tables									
Model Number	Overall Size						Weight		
	Length		Width		Height		lbs.	kg	
	L	mm	W	mm	H	mm			
SL CDTLI - 36 - L	36	914.4	30	762	44.75	1137	130	59	
SL CDTLI - 48 - L	48	1219	30	762	44.75	1137	149	68	
SL CDTLI - 60 - L	60	1524	30	762	44.75	1137	169	77	
SL CDTLI - 72 - L	72	1829	30	762	44.75	1137	184	84	
SL CDTLI - 84 - L	84	2134	30	762	44.75	1137	214	97	
SL CDTLI - 96 - L	96	2438	30	762	44.75	1137	230	105	
SL CDTLI - 108 - L	108	2743	30	762	44.75	1137	268	122	
SL CDTLI - 120 - L	120	3048	30	762	44.75	1137	284	129	
SL CDTLI - 132 - L	132	3353	30	762	44.75	1137	309	141	
SL CDTLI - 144 - L	144	3658	30	762	44.75	1137	328	149	



**Elkay SSP**  
 421 N. Freya St.  
 Spokane, WA 99205  
 Phone: 800-726-0553 Fax: 509-535-1493

Website: [www.sspinc.net](http://www.sspinc.net)  
 Email: [sspsales@elkay.com](mailto:sspsales@elkay.com)  
 ©2011 Elkay

SLCDTLI  
84" - 96"



SLCDTLI  
108" - 144"

