

| | | | |
|--------------|-------|-------|-------|
| Item No.: | _____ | Qty.: | _____ |
| Model No.: | _____ | | |
| Project No.: | _____ | | |



Specifications

Spec-Line L-Shaped Clean Dish Table, island design, left-to-right operation, 10" high backsplash with 2" return, 1-1/2" rolled edges on open sides, 14 gauge stainless steel top, stainless steel bracing & legs with adjustable feet, NSF approved

Features

- 14 Ga. stainless steel
- Welded construction for consistent metal gauge thickness throughout
- 10" (254 mm) backsplash with tile edge for easy installation
- All dish tables are sloped for positive drainage
- Raised 1-1/2" (38.1 mm) diameter rolled edge
- 1-5/8" (41.3 mm) galvanized H-Frame legs with 1" (25.4 mm) adjustable plastic feet

Spec-Line Series Clean Dish Table

Spec-Line Series Left-to-Right L-Shaped Island Clean Dish Table

- | | |
|--|---|
| <input type="checkbox"/> SLCDTLI-36-R | <input type="checkbox"/> SLCDTLI-96-R |
| <input type="checkbox"/> SLCDTLI-48-R | <input type="checkbox"/> SLCDTLI-108-R |
| <input type="checkbox"/> SLCDTLI-60-R | <input type="checkbox"/> SLCDTLI-120-R |
| <input type="checkbox"/> SLCDTLI-72-R | <input type="checkbox"/> SLCDTLI-132-R |
| <input type="checkbox"/> SLCDTLI-84-R | <input type="checkbox"/> SLCDTLI-144-R |

Options

- Pass Thru
- Additional weld-in bowls (please specify size)
- Quick Drain
- Scrap Baskets with Rack Slides
- Curved Rack Guide
- Undershelves
- End Splash

* For additional available options, contact Elkay SSP

Materials

- Top: Backsplash is 14 gauge 300 series stainless steel
- Legs: All sinks furnished with 1-5/8" (41.3 mm) diameter heavy gauge stainless steel tubing with stainless leg gussets and high impact corrosion resistant fully adjustable 1" (25.4 mm) feet



AUTOQUOTES



In keeping with our policy of continuing product improvement, Elkay SSP reserves the right to change product specifications without notice.

This specification describes an Elkay SSP product with design, quality and functional benefits to the user. When making a comparison of other producers' offerings, be certain these features are not overlooked.

Elkay SSP

421 N. Freya St.
Spokane, WA 99205
Phone: 800-726-0553 Fax: 509-535-1493

Website: www.sspinc.net
Email: sspsales@elkay.com

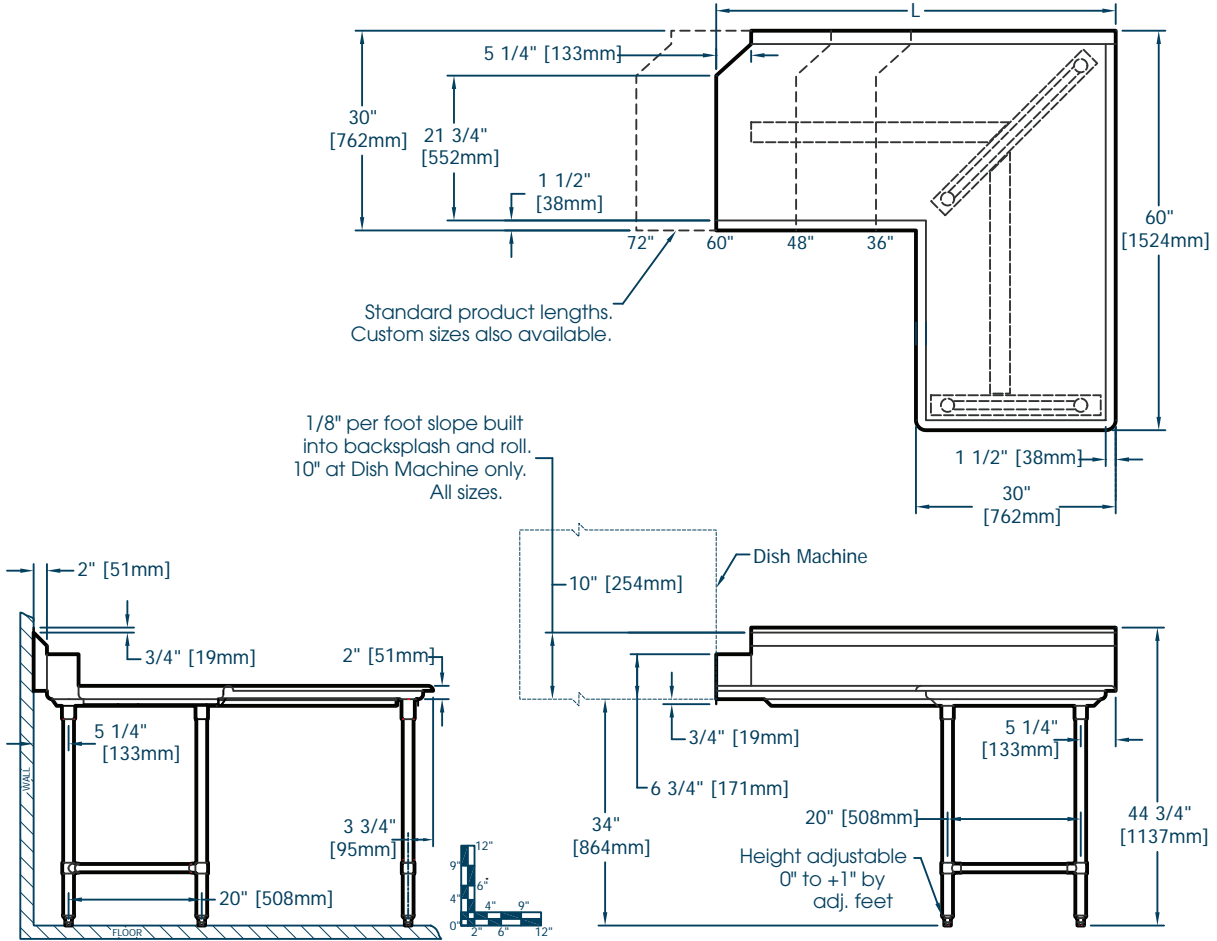
©2011 Elkay



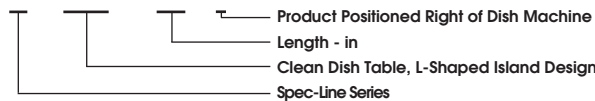
Item No.: _____ Qty.: _____
 Model No.: _____
 Project No.: _____

Spec-Line Series Clean Dish Table
 Spec-Line Series Left-to-Right L-Shaped Island Clean Dish Table

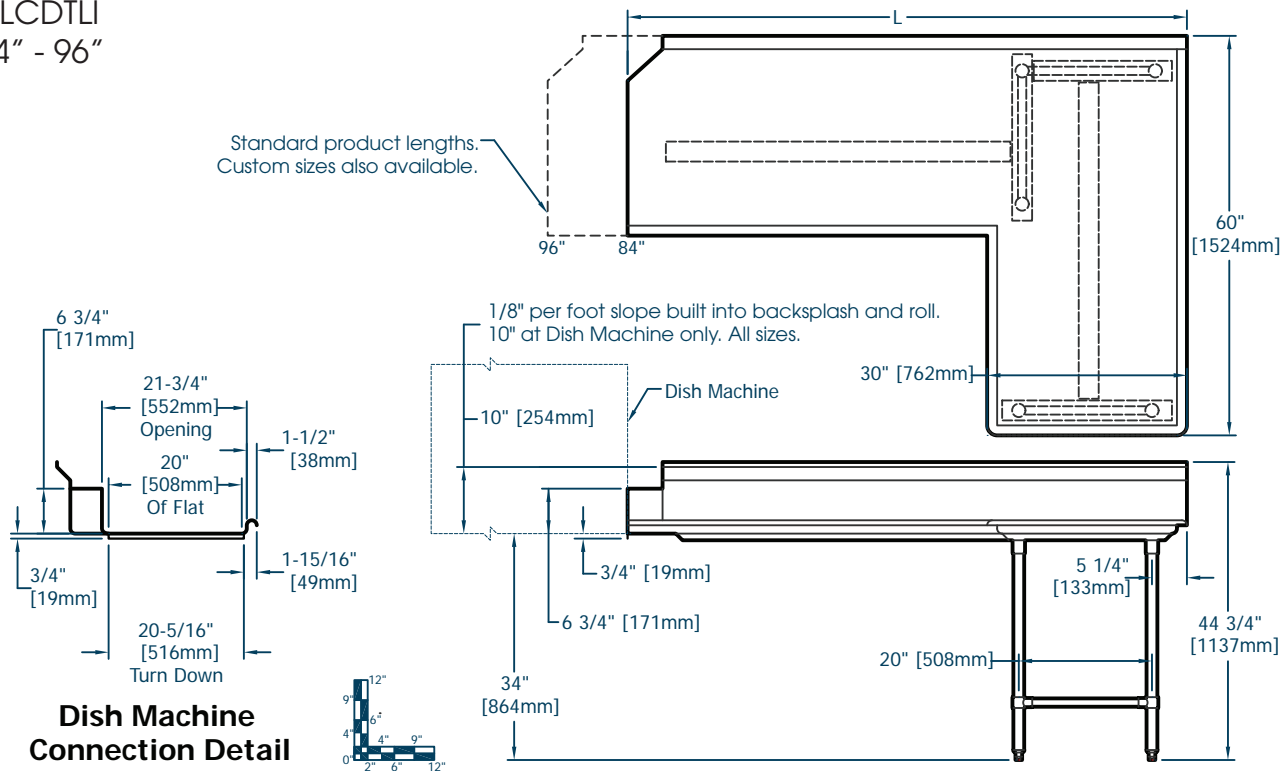
SLCDTLI
 36" - 72"



| Spec-Line Series Clean L-Shaped Island Dish Tables | | | | | | | | | | |
|--|--------------|-------|---------|-----|----------|------|------|-----|--------|--|
| Model Number | Overall Size | | | | | | | | Weight | |
| | Length L | | Width W | | Height H | | lbs. | kg | | |
| | in. | mm | in. | mm | in. | mm | | | | |
| SL CDTLI - 36 - R | 36 | 914.4 | 30 | 762 | 44.75 | 1137 | 130 | 59 | | |
| SL CDTLI - 48 - R | 48 | 1219 | 30 | 762 | 44.75 | 1137 | 149 | 68 | | |
| SL CDTLI - 60 - R | 60 | 1524 | 30 | 762 | 44.75 | 1137 | 169 | 77 | | |
| SL CDTLI - 72 - R | 72 | 1829 | 30 | 762 | 44.75 | 1137 | 184 | 84 | | |
| SL CDTLI - 84 - R | 84 | 2134 | 30 | 762 | 44.75 | 1137 | 214 | 97 | | |
| SL CDTLI - 96 - R | 96 | 2438 | 30 | 762 | 44.75 | 1137 | 230 | 105 | | |
| SL CDTLI - 108 - R | 108 | 2743 | 30 | 762 | 44.75 | 1137 | 268 | 122 | | |
| SL CDTLI - 120 - R | 120 | 3048 | 30 | 762 | 44.75 | 1137 | 284 | 129 | | |
| SL CDTLI - 132 - R | 132 | 3353 | 30 | 762 | 44.75 | 1137 | 309 | 141 | | |
| SL CDTLI - 144 - R | 144 | 3658 | 30 | 762 | 44.75 | 1137 | 328 | 149 | | |



SLCCTL1
84" - 96"



SLCCTL1
108" - 144"

