

Item No.:	_____	Qty. _____
Model No.:	_____	
Project No.:	_____	



## Spec-Line Series Soiled Dish Table

*Spec-Line Series Right-to-Left Straight Soiled Dish Table*

- |                                     |                                      |
|-------------------------------------|--------------------------------------|
| <input type="checkbox"/> SLDDT-36-R | <input type="checkbox"/> SLDDT-96-R  |
| <input type="checkbox"/> SLDDT-48-R | <input type="checkbox"/> SLDDT-108-R |
| <input type="checkbox"/> SLDDT-60-R | <input type="checkbox"/> SLDDT-120-R |
| <input type="checkbox"/> SLDDT-72-R | <input type="checkbox"/> SLDDT-132-R |
| <input type="checkbox"/> SLDDT-84-R | <input type="checkbox"/> SLDDT-144-R |

### Specifications

Spec-Line Series Soiled Dish Table, straight design, right-to-left operation, 10" high backsplash with 2" return, 14 gauge stainless steel top & pre-rinse sink, stainless steel bracing & legs with adjustable feet (specify faucet hole location), NSF approved

### Features

- 14 Ga. stainless steel
- Welded construction for consistent metal gauge thickness throughout
- 10" (254 mm) backsplash with tile edge for easy installation
- All dish tables are sloped for positive drainage
- Raised 1-1/2" (38.1 mm) diameter rolled edge
- 1-5/8" (41.3 mm) stainless steel H-Frame legs with 1" (25.4 mm) adjustable plastic feet

### Options

- Pass Thru
- Additional weld-in bowls (please specify size)
- Slopped Scrap Trough
- Quick Drain
- Scrap Baskets with Rack Slides
- Undershelves
- End Splash

\* For additional available options, contact Elkay SSP

### Materials

- Top: Bowl and backsplash are 14 gauge 300 series stainless steel
- Legs: All sinks furnished with 1-5/8" (41.3 mm) diameter heavy gauge stainless steel tubing with stainless leg gussets and high impact corrosion resistant fully adjustable 1" (25.4 mm) stainless steel feet



**AUTOQUOTES**



*In keeping with our policy of continuing product improvement, Elkay SSP reserves the right to change product specifications without notice.*

*This specification describes an Elkay SSP product with design, quality and functional benefits to the user. When making a comparison of other producers' offerings, be certain these features are not overlooked.*

**Elkay SSP**  
 421 N. Freya St.  
 Spokane, WA 99205  
 Phone: 800-726-0553 Fax: 509-535-1493

Website: [www.sspinc.net](http://www.sspinc.net)  
 Email: [sspsales@elkay.com](mailto:sspsales@elkay.com)  
 ©2011 Elkay



Item No.: \_\_\_\_\_ Qty. \_\_\_\_\_  
 Model No.: \_\_\_\_\_  
 Project No.: \_\_\_\_\_

## Spec-Line Series Soiled Dish Table

Spec-Line Series Right-to-Left Straight Soiled Dish Table

SLDDT  
60" - 72"

### Faucet Hole Options

Specify at time of ordering

#### Back Splash Mounted

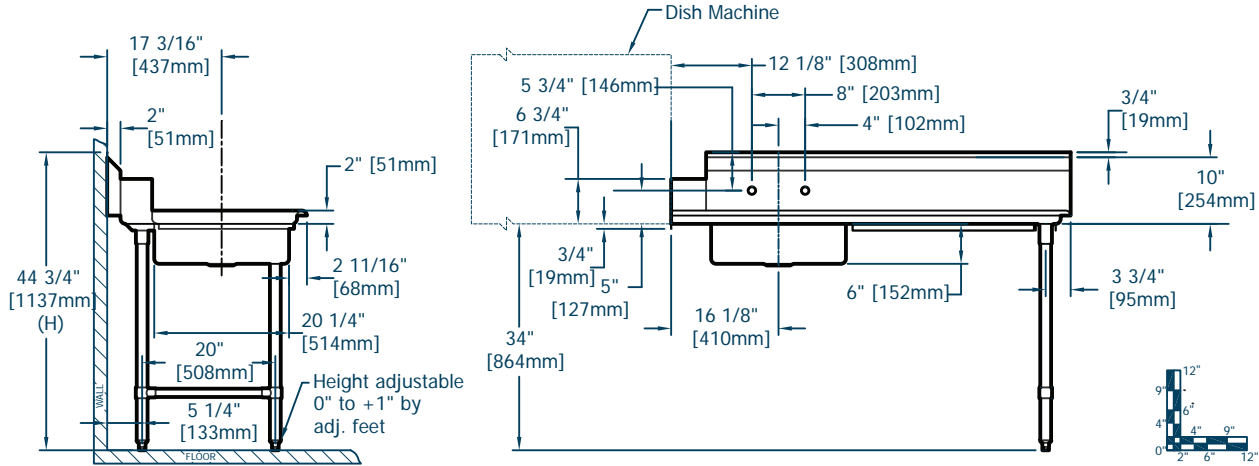
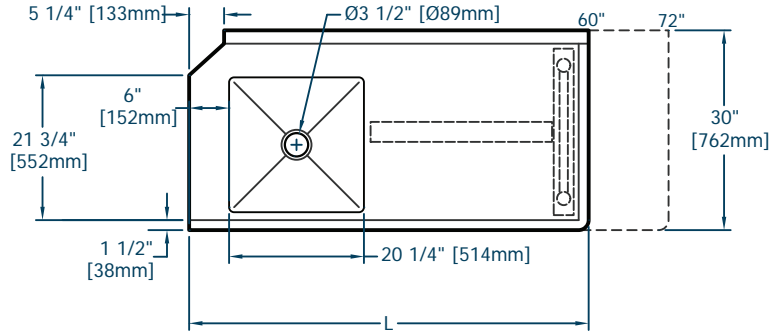
(2) 1-1/8" Dia. holes, 8" on center  
Reference Side View

#### Deck Mounted

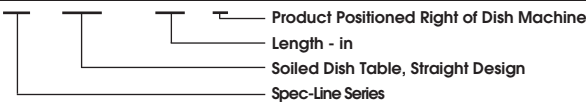
(1) 1-1/4" Dia. hole, centered over  
tub drain centerline  
Reference Plan View on p. 3

#### No Hole

Product supplied without faucet  
hole drilling

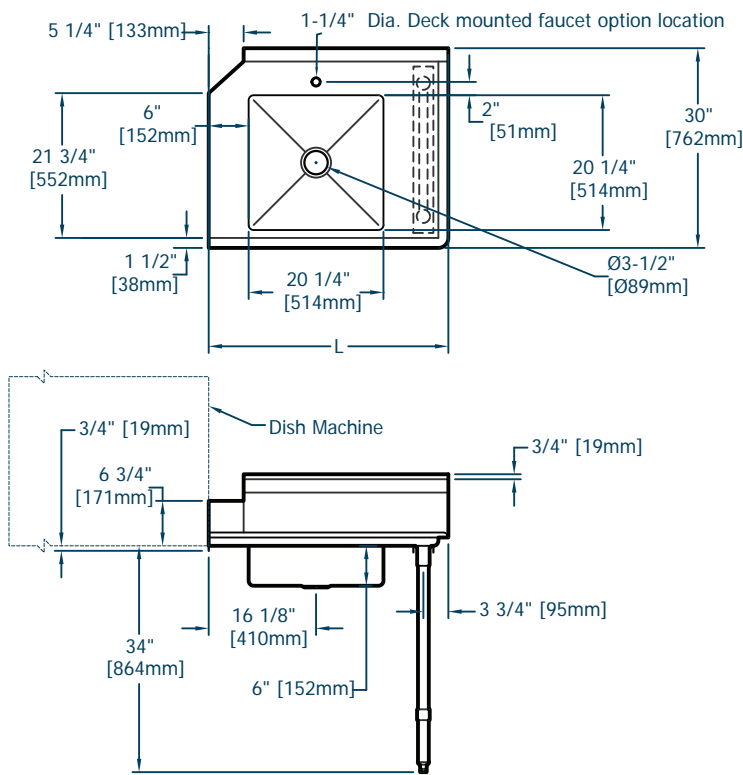


Spec-Line Series Straight Design Soiled Dish Tables																
Model Number	Bowl Dimensions						Overall Size			Drain Location	Weight					
	Width A		Front-to-Back B		Depth D		Length L		Width W		Height H	DL	lbs.	kg		
	in.	mm	in.	mm	in.	mm	in.	mm	in.	mm	in.				mm	
SL DDT - 36 - R	20.25	514	20.25	514	6	152	36	914.4	30	762	44.75	1137	17	441	95	43
SL DDT - 48 - R	20.25	514	20.25	514	6	152	48	1219	30	762	44.75	1137	17	441	111	51
SL DDT - 60 - R	20.25	514	20.25	514	6	152	60	1524	30	762	44.75	1137	17	441	132	60
SL DDT - 72 - R	20.25	514	20.25	514	6	152	72	1829	30	762	44.75	1137	17	441	148	67
SL DDT - 84 - R	20.25	514	20.25	514	6	152	84	2134	30	762	44.75	1137	17	441	184	84
SL DDT - 96 - R	20.25	514	20.25	514	6	152	96	2438	30	762	44.75	1137	17	441	201	91
SL DDT - 108 - R	20.25	514	20.25	514	6	152	108	2743	30	762	44.75	1137	17	441	225	102
SL DDT - 120 - R	20.25	514	20.25	514	6	152	120	3048	30	762	44.75	1137	17	441	243	110
SL DDT - 132 - R	20.25	514	20.25	514	6	152	132	3353	30	762	44.75	1137	17	441	268	122
SL DDT - 144 - R	20.25	514	20.25	514	6	152	144	3658	30	762	44.75	1137	17	441	285	130

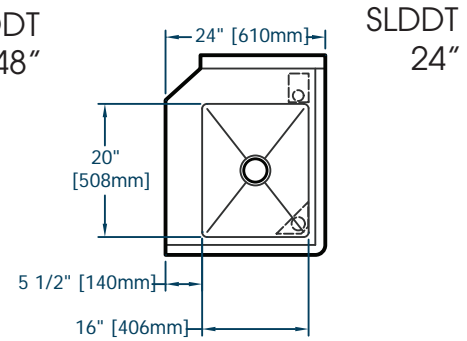


Elkay SSP  
 421 N. Freya St.  
 Spokane, WA 99205  
 Phone: 800-726-0553 Fax: 509-535-1493

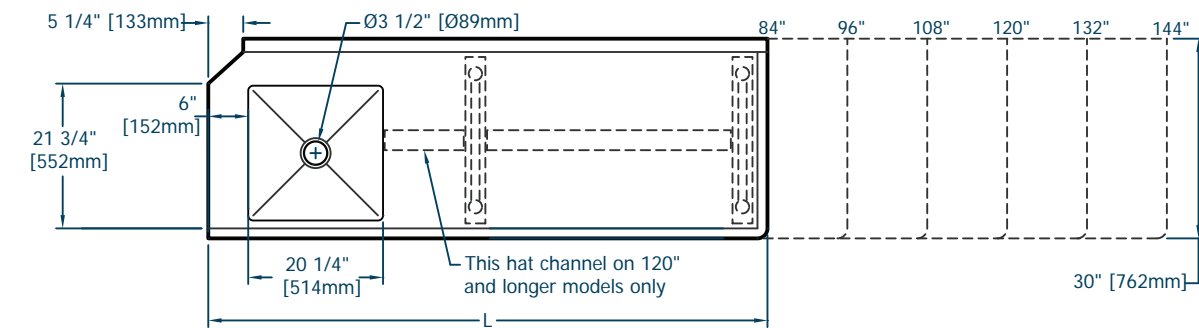
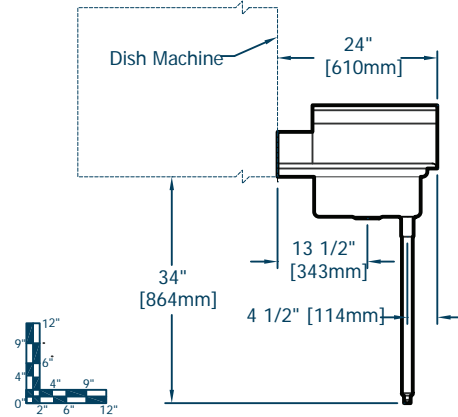
Website: www.sspinc.net  
 Email: sspsales@elkay.com  
 ©2011 Elkay



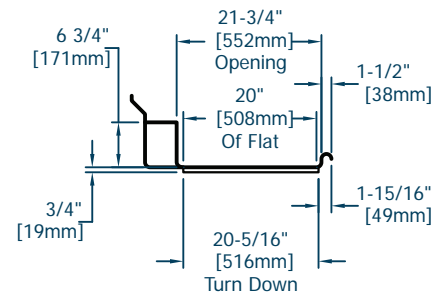
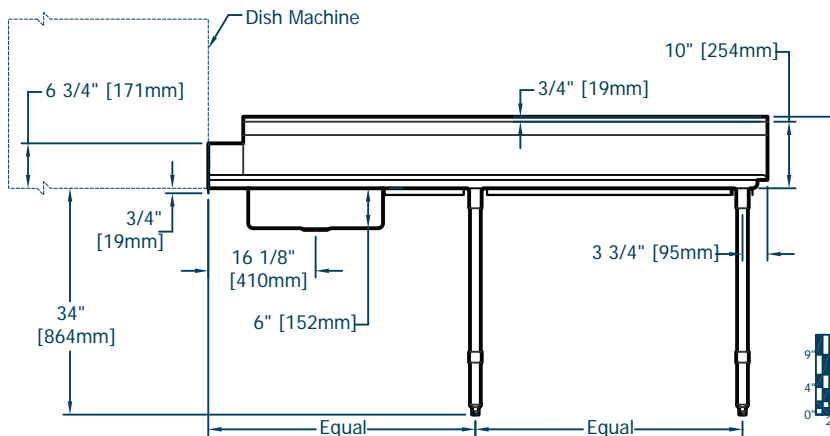
SLDDT  
36" - 48"



SLDDT  
24"



SLDDT  
84" - 144"



**Dish Machine Connection Detail**