

Item No.:	_____	Qty.:	_____
Model No.:	_____		
Project No.:	_____		



## Specifications

Spec-Line Series L-Shaped Soiled Dish Table, island design, left-to-right operation, 10" high backsplash with 2" return, raised 10" landing edge, 14 gauge stainless steel top & pre-rinse sink, stainless steel bracing & legs with adjustable feet (specify fauce hole location), NSF approved

## Features

- 14 Ga. stainless steel
- Welded construction for consistent metal gauge thickness throughout
- 10" (254 mm) backsplash with tile edge for easy installation
- All dish tables are sloped for positive drainage
- Raised 1-1/2" (38.1 mm) diameter rolled edge
- 1-5/8" (41.3 mm) stainless steel H-Frame legs with 1" (25.4 mm) adjustable plastic feet

## Spec-Line Series Soiled Dish Table

*Spec-Line Series Left-to-Right L-Shaped Island Soiled Dish Table with Landing Edge*

- |                                       |  |
|---------------------------------------|--|
| <input type="checkbox"/> SLDDTLE-36-L | <input type="checkbox"/> SLDDTLE-96-L  |
| <input type="checkbox"/> SLDDTLE-48-L | <input type="checkbox"/> SLDDTLE-108-L |
| <input type="checkbox"/> SLDDTLE-60-L | <input type="checkbox"/> SLDDTLE-120-L |
| <input type="checkbox"/> SLDDTLE-72-L | <input type="checkbox"/> SLDDTLE-132-L |
| <input type="checkbox"/> SLDDTLE-84-L | <input type="checkbox"/> SLDDTLE-144-L |

## Options

- Pass Thru
- Additional weld-in bowls (please specify size)
- Slopped Scrap Trough
- Quick Drain
- Scrap Baskets with Rack Slides
- Undershelves
- End Splash

\* For additional available options, contact Elkay SSP

## Materials

- Top: Bowl and backsplash are 14 gauge 300 series stainless steel
- Legs: All sinks furnished with 1-5/8" (41.3 mm) diameter heavy gauge stainless steel tubing with stainless leg gussets and high impact corrosion resistant fully adjustable 1" (25.4 mm) stainless steel feet



**AUTOQUOTES**



*In keeping with our policy of continuing product improvement, Elkay SSP reserves the right to change product specifications without notice.*

*This specification describes an Elkay SSP product with design, quality and functional benefits to the user. When making a comparison of other producers' offerings, be certain these features are not overlooked.*

### Elkay SSP

421 N. Freya St.  
Spokane, WA 99205  
Phone: 800-726-0553 Fax: 509-535-1493

Website: [www.sspinc.net](http://www.sspinc.net)  
Email: [sspsales@elkay.com](mailto:sspsales@elkay.com)  
©2011 Elkay

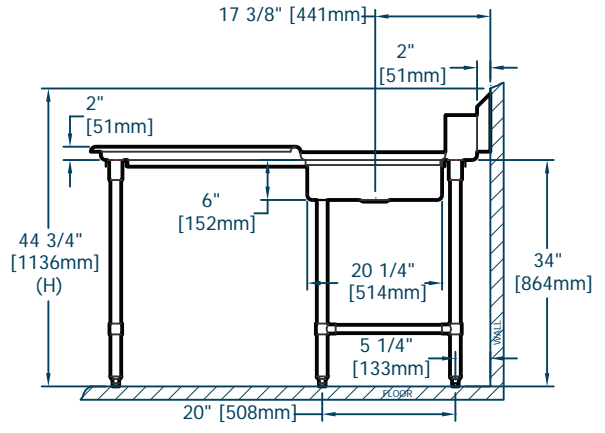
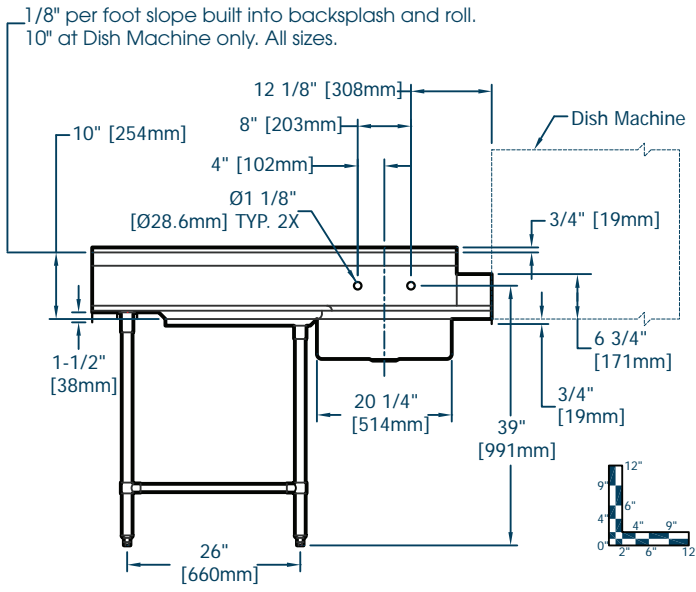
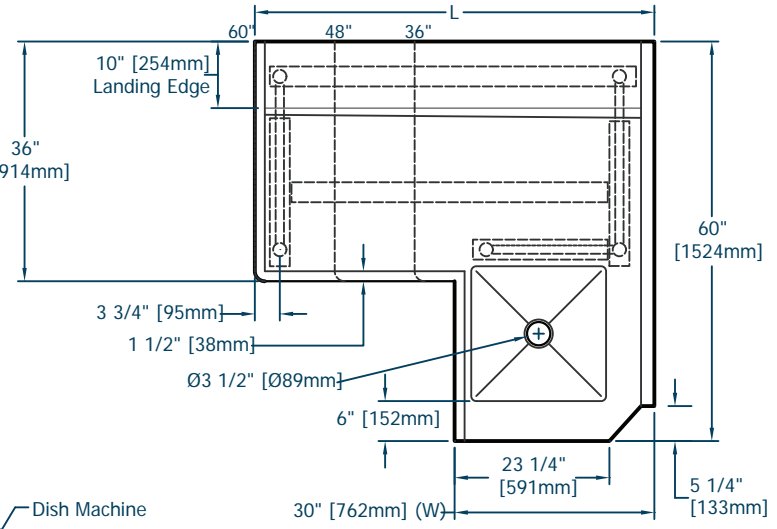


Item No.: \_\_\_\_\_ Qty.: \_\_\_\_\_  
 Model No.: \_\_\_\_\_  
 Project No.: \_\_\_\_\_

**Spec-Line Series Soiled Dish Table**  
 Spec-Line Series Left-to-Right L-Shaped Island Soiled Dish Table with Landing Edge

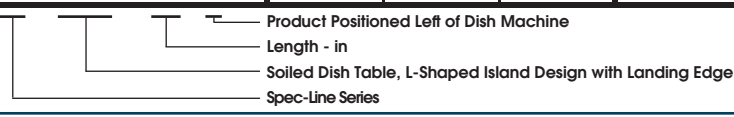
SLDDTLE  
 36" - 60"

- Faucet Hole Options**  
 Specify at time of ordering
- Back Splash Mounted**  
 (2) 1-1/8" Dia. holes, 8" on center  
 Reference Side View
- Deck Mounted**  
 (1) 1-1/4" Dia. hole, centered over tub drain centerline  
 Reference Plan View on p. 3
- No Hole**  
 Product supplied without faucet hole drilling



**Spec-Line Series Soiled L-Shaped Island Design Dish Tables with Landing Edge**

Model Number	Bowl Dimensions			Overall Size			Drain Location DL	Weight								
	Width A	Front-to-Back B	Depth D	Length L	Width W	Height H		lbs.	kg							
	in.	mm	in.	mm	in.	mm	in.	mm								
SL DDTLE - 36 - L	20.25	514	20.25	514	6	152	36	914.4	30	762	44.75	1137	17	441	163	74
SL DDTLE - 48 - L	20.25	514	20.25	514	6	152	48	1219	30	762	44.75	1137	17	441	188	85
SL DDTLE - 60 - L	20.25	514	20.25	514	6	152	60	1524	30	762	44.75	1137	17	441	213	97
SL DDTLE - 72 - L	20.25	514	20.25	514	6	152	72	1829	30	762	44.75	1137	17	441	231	105
SL DDTLE - 84 - L	20.25	514	20.25	514	6	152	84	2134	30	762	44.75	1137	17	441	257	117
SL DDTLE - 96 - L	20.25	514	20.25	514	6	152	96	2438	30	762	44.75	1137	17	441	278	127
SL DDTLE - 108 - L	20.25	514	20.25	514	6	152	108	2743	30	762	44.75	1137	17	441	320	146
SL DDTLE - 120 - L	20.25	514	20.25	514	6	152	120	3048	30	762	44.75	1137	17	441	342	156
SL DDTLE - 132 - L	20.25	514	20.25	514	6	152	132	3353	30	762	44.75	1137	17	441	372	169
SL DDTLE - 144 - L	20.25	514	20.25	514	6	152	144	3658	30	762	44.75	1137	17	441	394	179



**Elkay SSP**  
 421 N. Freya St.  
 Spokane, WA 99205  
 Phone: 800-726-0553 Fax: 509-535-1493

Website: [www.sspinc.net](http://www.sspinc.net)  
 Email: [sspsales@elkay.com](mailto:sspsales@elkay.com)  
 ©2011 Elkay

