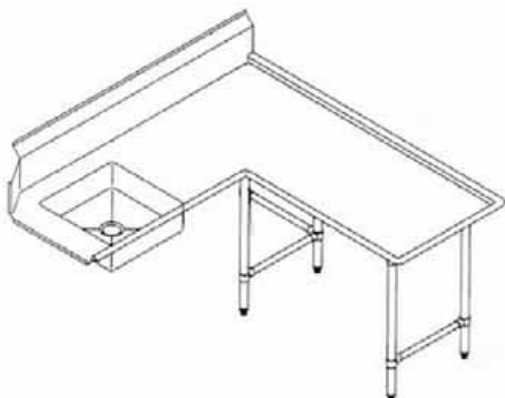




**L-SHAPED SOILED DISHTABLE
ISLAND STYLE**



FEATURES:

TOP & BOWL are constructed of 16 gauge 304 stainless steel.

PRE-RINSE BOWL SIZE: 20-1/4" x 20-1/4" x 6".

BACKSPLASH: 10" tall, from the deck, with a 2" return at 45° and 3/4" clip-up to the wall.

1 hole for pre-rinse punched in deck 1-1/4" diameter.

LEGS: 1-5/8" diameter galvanized legs and bracing. Furnished with adjustable plastic feet and stainless steel leg sockets.

SPEC-LINE SERIES:

TOP & BOWL: 14 gauge 304 stainless steel.

BACKSPLASH: 10" tall, from the deck, with a 2" return at 45° and 3/4" clip-up to the wall.

1 hole for pre-rinse punched in deck 1-1/4" diameter.

LEGS: 1-5/8" diameter stainless steel legs with adjustable stainless steel feet and bracing.

WEIGHT: Add 26% to weight shown.

To order Spec-Line series, write SL at the start of the model number.

STANDARD SIZES (in.)

MODELS	LENGTH	WIDTH	HEIGHT
DDTLI-48*	48	30	44-3/4
DDTLI-60*	60		
DDTLI-72*	72		
DDTLI-84*	84		
DDTLI-96*	96		
DDTLI-120*	120		

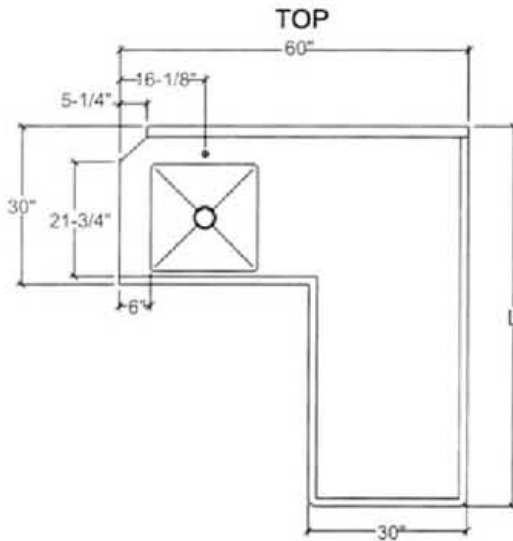
CUSTOM SIZES AVAILABLE!

Please replace "" with "L" or "R" for left or right side of dish machine.

SPECIFICATIONS

DATE: _____ MODEL NO: _____

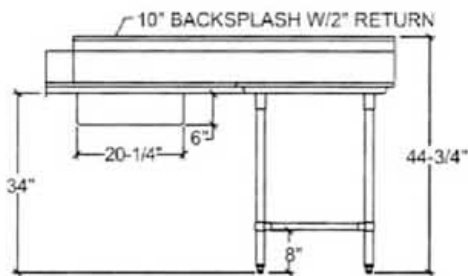
PROJECT: _____



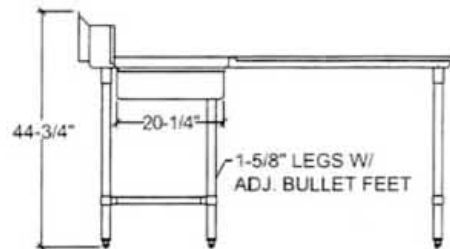
L-SHAPED SOILED DISHTABLE
ISLAND STYLE



FRONT



SIDE



To order Spec-Line series, write SL at the start of the model number.

DIMENSIONS (in.)

MODELS	LENGTH	WIDTH	APPROX. WT. (LBS.)
DDTLI-48*	48	30	170
DDTLI-60*	60		185
DDTLI-72*	72		195
DDTLI-84*	84		225
DDTLI-96*	96		235
DDTLI-120*	120		250

(Specifications Subject To Change)



North 421 Freya, Spokane, WA 99202 509-533-0808 / 800-726-0553 Fax: 509-535-1493 Website: <http://www.sspinc.net> E-mail: ssp@sspinc.net