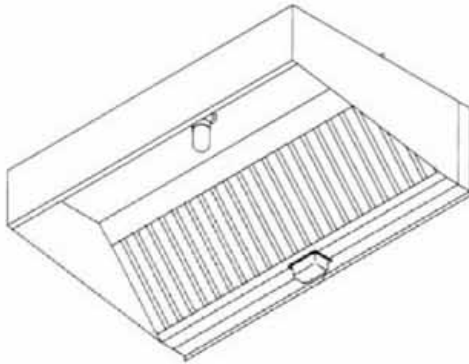




**CLASS I SLANT  
FACED HOODS**



**FEATURES:**

**CONSTRUCTED** of 18 gauge stainless steel.

**INCLUDES:** UL approved aluminum filters, UL approved globe hood lights, stainless steel hanging brackets, 3" air space and grease cup(s).

All visible welds are ground and polished to no. 4 finish.

**STANDARD SIZES (in.)**

MODEL	LENGTH	WIDTH	HEIGHT
SLH-48-1	48	45	18
SLH-60-1	60		
SLH-72-1	72		
SLH-84-1	84		
SLH-96-1	96		
SLH-108-1	108		
SLH-120-1	120		
SLH-132-1	132		
SLH-144-1	144		

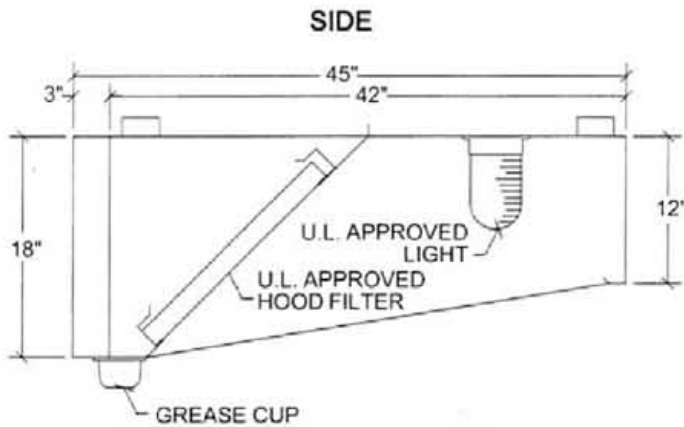
***CUSTOM SIZES AVAILABLE!***

# SPECIFICATIONS

DATE: \_\_\_\_\_ MODEL NO: \_\_\_\_\_

PROJECT: \_\_\_\_\_

CLASS I SLANT  
FACED HOODS



## DIMENSIONS (in.)

MODEL	LENGTH	DUCT OPENING	SP AT FILTERS	# FILTERS	CFM	WIDTH	HEIGHT	APPROX. WT. (lbs.)
SLH-48-1	48	112 sq. in.	0.45	2	1400	45	18	160
SLH-60-1	60	140 sq. in.	0.31	3	1750			180
SLH-72-1	72	168 sq. in.	0.45	3	2100			205
SLH-84-1	84	196 sq. in.	0.35	4	2450			235
SLH-96-1	96	224 sq. in.	0.45	4	2800			260
SLH-108-1	108	252 sq. in.	0.37	5	3150			285
SLH-120-1	120	280 sq. in.	0.45	5	3500			300
SLH-132-1	132	308 sq. in.	0.38	6	3850			340
SLH-144-1	144	336 sq. in.	0.33	7	4200			365

(Specifications Subject To Change)

\*48" width available upon request.



North 421 Freya, Spokane, WA 99202 509-533-0808 / 800-726-0553 Fax: 509-535-1493 Website: <http://www.sspinc.net> E-mail: [ssp@sspinc.net](mailto:ssp@sspinc.net)