

Item No.: _____ Qty.: _____
Model No.: _____
Project No.: _____



Specifications

Spec-Line Under Counter Dish Table, straight design, left-to-right operation, 8" high backsplash with 2" return, 14 gauge stainless steel top & pre-rinse sink, stainless steel legs with adjustable feet (specify faucet hole location), NSF approved

Features

- 14 Ga. stainless steel
- Welded construction for consistent metal gauge thickness throughout
- 8" (203.2 mm) backsplash with tile edge for easy installation
- Drainboard dipped to fab for positive drainage
- Raised 1-1/2" (38.1 mm) diameter rolled edge
- 1-5/8" (41.3 mm) stainless steel H-Frame legs with 1" (25.4 mm) adjustable feet

Spec-Line Series Under Counter Dish Table

Spec-Line Series Left-to-Right Straight Under Counter Dish Table

- SLUDT-50-L**
- SLUDT-60-L**

Options

- Pass Thru
- Scrap Baskets with Rack Slides
- Undershelves
- End Splash

* For additional available options, contact Elkay SSP

Materials

- Top: Bowl and backsplash are 14 gauge 300 series stainless steel
- Legs: All sinks furnished with 1-5/8" (41.3 mm) diameter heavy gauge stainless steel tubing with stainless leg gussets and high impact corrosion resistant fully adjustable 1" (25.4 mm) feet



AUTOQUOTES



In keeping with our policy of continuing product improvement, Elkay SSP reserves the right to change product specifications without notice.

This specification describes an Elkay SSP product with design, quality and functional benefits to the user. When making a comparison of other producers' offerings, be certain these features are not overlooked.

Elkay SSP
421 N. Freya St.
Spokane, WA 99205
Phone: 800-726-0553 Fax: 509-535-1493

Website: www.sspinc.net
Email: sspsales@elkay.com
©2011 Elkay

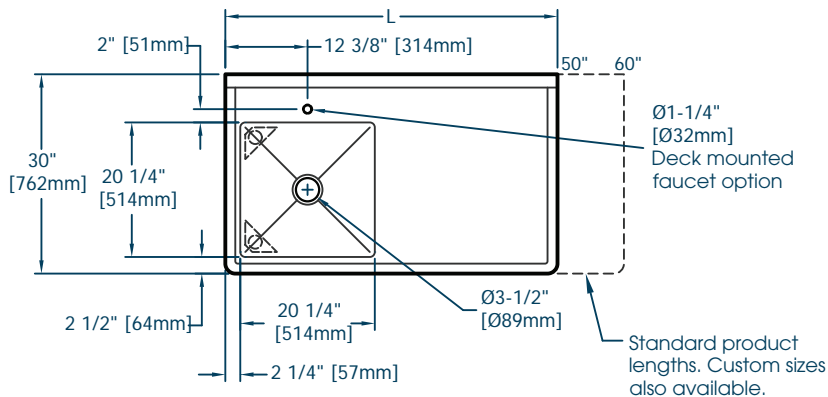


Item No.: _____ Qty.: _____
 Model No.: _____
 Project No.: _____

Spec-Line Series Under Counter Dish Table

Spec-Line Series Left-to-Right Under Counter Soiled Dish Table

SLUDT
50" - 60"



Faucet Hole Options

Specify at time of ordering

Back Splash Mounted

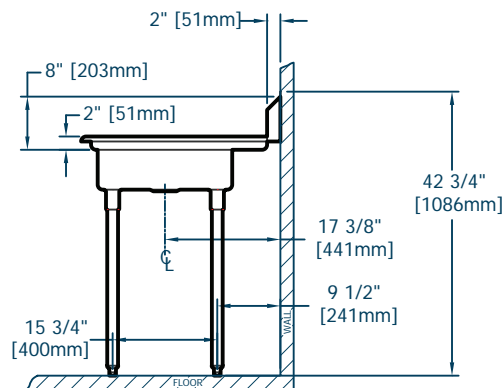
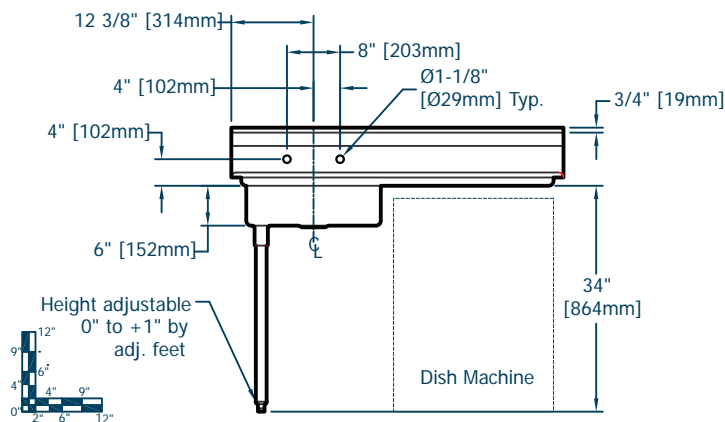
(2) 1-1/8" Dia. holes, 8" on center
Reference Side View

Deck Mounted

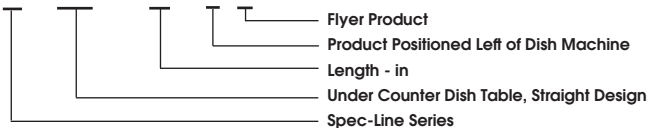
(1) 1-1/4" Dia. hole, centered over
tub drain centerline
Reference Plan View on p. 3

No Hole

Product supplied without faucet
hole drilling



Spec-Line Under Counter Dish Tables																				
Model Number				Bowl Dimensions						Overall Size				Drain		Weight				
				Width		Front-to-Back		Depth		Length		Width		Height		Location				
		A		B		D		L		W		H		DL		lbs.	kg			
in.	mm	in.	mm	in.	mm	in.	mm	in.	mm	in.	mm	in.	mm	in.	mm					
SL	UDT	- 50	- L	X	20.25	514.4	20.25	514.4	6	152.4	50	1270	30	762	42.75	1086	17	441	79	36
SL	UDT	- 60	- L	X	20.25	514.4	20.25	514.4	6	152.4	60	1524	30	762	42.75	1086	17	441	89	40



Elkay SSP

421 N. Freya St.
 Spokane, WA 99205
 Phone: 800-726-0553 Fax: 509-535-1493

Website: www.sspinc.net
 Email: sspsales@elkay.com
 ©2011 Elkay