

Item No.:	_____	Qty.:	_____
Model No.:	_____		
Project No.:	_____		

Spec-Line Series Work Table

Spec-Line Work Table, Flat Top with Stainless Steel Undershef



24"	30"	36"
<input type="checkbox"/> SLWT24S36-ST5	<input type="checkbox"/> SLWT30S36-ST5	<input type="checkbox"/> SLWT36S36-ST5
<input type="checkbox"/> SLWT24S48-ST5	<input type="checkbox"/> SLWT30S48-ST5	<input type="checkbox"/> SLWT36S48-ST5
<input type="checkbox"/> SLWT24S60-ST5	<input type="checkbox"/> SLWT30S60-ST5	<input type="checkbox"/> SLWT36S60-ST5
<input type="checkbox"/> SLWT24S72-ST5	<input type="checkbox"/> SLWT30S72-ST5	<input type="checkbox"/> SLWT36S72-ST5
<input type="checkbox"/> SLWT24S84-ST5	<input type="checkbox"/> SLWT30S84-ST5	<input type="checkbox"/> SLWT36S84-ST5
<input type="checkbox"/> SLWT24S96-ST5	<input type="checkbox"/> SLWT30S96-ST5	<input type="checkbox"/> SLWT36S96-ST5
<input type="checkbox"/> SLWT24S108-ST5	<input type="checkbox"/> SLWT30S108-ST5	<input type="checkbox"/> SLWT36S108-ST5
<input type="checkbox"/> SLWT24S120-ST5	<input type="checkbox"/> SLWT30S120-ST5	<input type="checkbox"/> SLWT36S120-ST5

Features

- 14 Gauge, 300 series stainless steel
- Welded construction for consistent metal gauge thickness throughout
- Sound deadened between top and bottom hat channels with double sided tape
- 1-5/8" Stainless steel legs and feet adjustable up to 1"
- Fully adjustable stainless steel undershef
- Shipped knocked down for reduced shipping costs and supplied with Allen wrench and screws

Materials

- **Top:** 14 Gauge, 300 series stainless steel, 1-3/4" turned-down edge
- **Legs:** 1-5/8" Diameter heavy gauge stainless steel tubing with stainless steel leg gussets and stainless steel feet adjustable up to 1"
- **Undershef:** 18 Gauge, 400 series stainless steel with 1-1/2" turned-down edge, fully adjustable

Options

- Custom Size / Height
- Cutout in Top (depending on size and location)
- Edge Modification
- Urn Trough
- Overshelves
- Undershelves
- Drawers
- Sink
- Splash
- Base Options
- Welded Set-Up
- Casters / Feet Upgrade

* For additional available options, contact Elkay SSP



AUTOQUOTES



In keeping with our policy of continuing product improvement, Elkay SSP reserves the right to change product specifications without notice.

This specification describes an Elkay SSP product with design, quality and functional benefits to the user. When making a comparison of other producers' offerings, be certain these features are not overlooked.

Elkay SSP

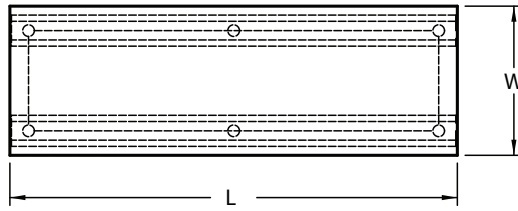
421 N. Freya St.
Spokane, WA 99205
Phone: 800-726-0553 Fax: 509-535-1493

Website: www.sspinc.net
Email: sspsales@elkay.com

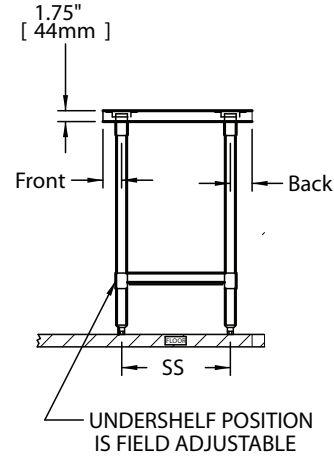
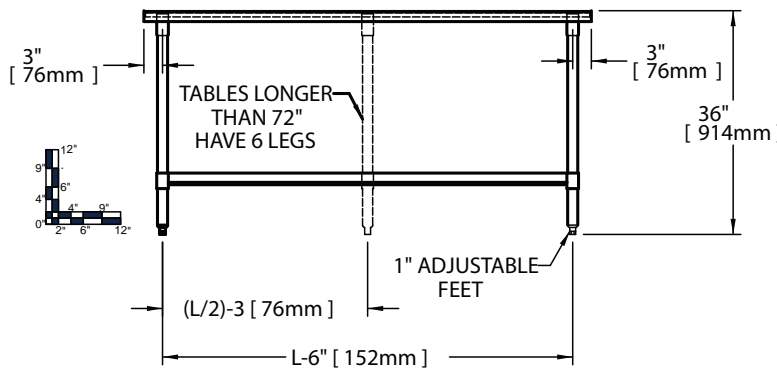
©2011 Elkay



Item No.: _____ Qty.: _____
 Model No.: _____
 Project No.: _____



Size of Undershef:
 Common length = subtract 6" from length
 24" Width = subtract 6.5" from width
 30" Width = subtract 7.45" from width
 36" Width = subtract 10" from width



24" Work Table					30" Work Table					36" Work Table					Legs						
Model Number	Overall Size Length		Height	Weight	Model Number	Overall Size Length		Height	Weight	Model Number	Overall Size Length		Height	Weight							
	L	H				L	H				L	H			L	H					
	in.	mm	in.	mm	lbs.	kg	in.	mm	in.	mm	lbs.	kg	in.	mm	lbs.	kg					
SLWT 24 S 36 -STS	36	914	36	914	105	48	SLWT 30 S 36 -STS	36	914	36	914	118	54	SLWT 36 S 36 -STS	36	914	36	914	134	61	4
SLWT 24 S 48 -STS	48	1219	36	914	128	58	SLWT 30 S 48 -STS	48	1219	36	914	143	65	SLWT 36 S 48 -STS	48	1219	36	914	164	75	4
SLWT 24 S 60 -STS	60	1524	36	914	156	71	SLWT 30 S 60 -STS	60	1524	36	914	174	79	SLWT 36 S 60 -STS	60	1524	36	914	201	91	4
SLWT 24 S 72 -STS	72	1829	36	914	179	81	SLWT 30 S 72 -STS	72	1829	36	914	201	91	SLWT 36 S 72 -STS	72	1829	36	914	231	105	4
SLWT 24 S 84 -STS	84	2134	36	914	218	99	SLWT 30 S 84 -STS	84	2134	36	914	243	110	SLWT 36 S 84 -STS	84	2134	36	914	278	126	6
SLWT 24 S 96 -STS	96	2438	36	914	242	110	SLWT 30 S 96 -STS	96	2438	36	914	270	123	SLWT 36 S 96 -STS	96	2438	36	914	309	140	6
SLWT 24 S 108 -STS	108	2743	36	914	270	123	SLWT 30 S 108 -STS	108	2743	36	914	304	138	SLWT 36 S 108 -STS	108	2743	36	914	349	159	6
SLWT 24 S 120 -STS	120	3048	36	914	297	135	SLWT 30 S 120 -STS	120	3048	36	914	332	151	SLWT 36 S 120 -STS	120	3048	36	914	380	173	6

* Custom sizes also available

