

Item No.:	_____	Qty.:	_____
Model No.:	_____		
Project No.:	_____		

Spec-Line Series Work Table

Spec-Line Work Table, Flat Top with Galvanized Undershef



24"

- SLWT24S36-STG
- SLWT24S48-STG
- SLWT24S60-STG
- SLWT24S72-STG
- SLWT24S84-STG
- SLWT24S96-STG
- SLWT24S108-STG
- SLWT24S120-STG

30"

- SLWT30S36-STG
- SLWT30S48-STG
- SLWT30S60-STG
- SLWT30S72-STG
- SLWT30S84-STG
- SLWT30S96-STG
- SLWT30S108-STG
- SLWT30S120-STG

36"

- SLWT36S36-STG
- SLWT36S48-STG
- SLWT36S60-STG
- SLWT36S72-STG
- SLWT36S84-STG
- SLWT36S96-STG
- SLWT36S108-STG
- SLWT36S120-STG

Features

- 14 Gauge, 300 series stainless steel
- Welded construction for consistent metal gauge thickness throughout
- Sound deadened between top and bottom hat channels with double sided tape
- 1-5/8" Galvanized legs with high impact plastic feet, adjustable up to 1"
- Fully adjustable galvanized undershef
- Shipped knocked down for reduced shipping costs and supplied with Allen wrench and screws

Options

- Custom Size / Height
- Cutout in Top (depending on size and location)
- Edge Modification
- Urn Trough
- Overshelves
- Undershelves
- Drawers
- Sink
- Splash
- Base Options
- Welded Set-Up
- Casters / Feet Upgrade

* For additional available options, contact Elkay SSP

Materials

- **Top:** 14 Gauge, 300 series stainless steel, 1-3/4" turned-down edge
- **Legs:** 1-5/8" Diameter heavy gauge galvanized tubing with galvanized leg gussets and high impact plastic feet, adjustable up to 1"
- **Undershef:** Galvanized steel with 1-1/2" turned-down edge, fully adjustable



AUTOQUOTES



In keeping with our policy of continuing product improvement, Elkay SSP reserves the right to change product specifications without notice.

This specification describes an Elkay SSP product with design, quality and functional benefits to the user. When making a comparison of other producers' offerings, be certain these features are not overlooked.

Elkay SSP

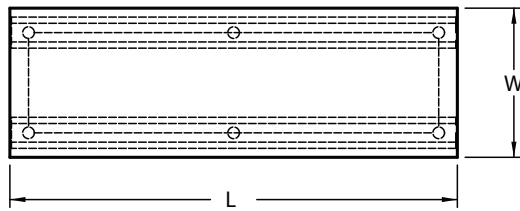
421 N. Freya St.
Spokane, WA 99205
Phone: 800-726-0553 Fax: 509-535-1493

Website: www.sspinc.net
Email: sspsales@elkay.com

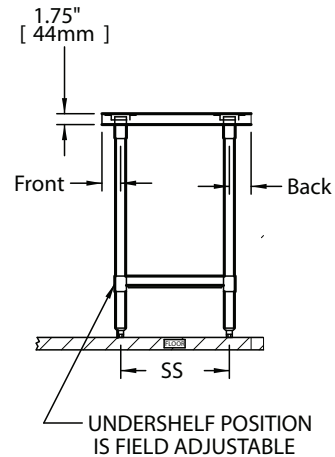
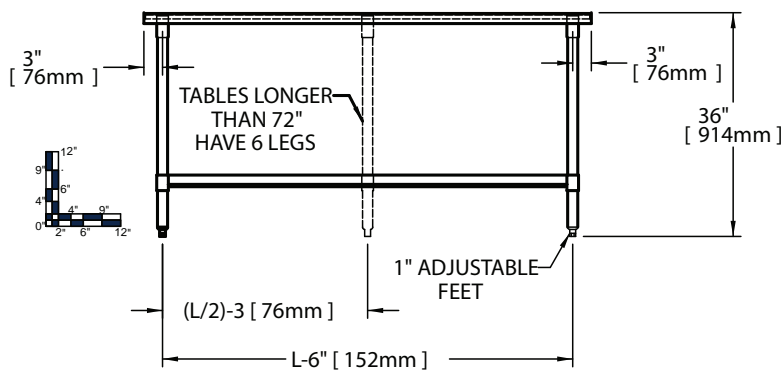
©2011 Elkay



Item No.: _____ Qty.: _____
 Model No.: _____
 Project No.: _____



Size of Undersheif:
 Common length = subtract 6" from length
 24" Width = subtract 6.5" from width
 30" Width = subtract 7.45" from width
 36" Width = subtract 10" from width



24" Work Table				30" Work Table				36" Work Table				Legs			
Model Number	Overall Size		Weight	Model Number	Overall Size		Weight	Model Number	Overall Size		Weight				
	Length	Height			Length	Height			Length	Height					
	L	H		L	H		L	H		H					
	in.	mm	lbs. kg		in.	mm	lbs. kg		in.	mm	lbs. kg				
SLWT 24 S 36 -STG	36	914	36 914	104 47	SLWT 30 S 36 -STG	36	914	36 914	117 53	SLWT 36 S 36 -STG	36	914	36 914	133 60	4
SLWT 24 S 48 -STG	48	1219	36 914	127 58	SLWT 30 S 48 -STG	48	1219	36 914	142 65	SLWT 36 S 48 -STG	48	1219	36 914	163 74	4
SLWT 24 S 60 -STG	60	1524	36 914	155 70	SLWT 30 S 60 -STG	60	1524	36 914	173 79	SLWT 36 S 60 -STG	60	1524	36 914	200 91	4
SLWT 24 S 72 -STG	72	1829	36 914	178 81	SLWT 30 S 72 -STG	72	1829	36 914	200 91	SLWT 36 S 72 -STG	72	1829	36 914	230 105	4
SLWT 24 S 84 -STG	84	2134	36 914	216 98	SLWT 30 S 84 -STG	84	2134	36 914	241 110	SLWT 36 S 84 -STG	84	2134	36 914	277 126	6
SLWT 24 S 96 -STG	96	2438	36 914	240 109	SLWT 30 S 96 -STG	96	2438	36 914	268 122	SLWT 36 S 96 -STG	96	2438	36 914	308 140	6
SLWT 24 S 108 -STG	108	2743	36 914	268 122	SLWT 30 S 108 -STG	108	2743	36 914	303 138	SLWT 36 S 108 -STG	108	2743	36 914	347 158	6
SLWT 24 S 120 -STG	120	3048	36 914	296 135	SLWT 30 S 120 -STG	120	3048	36 914	330 150	SLWT 36 S 120 -STG	120	3048	36 914	379 172	6

* Custom sizes also available

