

Item No.:	_____	Qty.:	_____
Model No.:	_____		
Project No.:	_____		

Spec-Line Series Work Table

Spec-Line Work Table, Backsplash with Stainless Steel Undershef



24"

- SLWT24S36-BS
- SLWT24S48-BS
- SLWT24S60-BS
- SLWT24S72-BS
- SLWT24S84-BS
- SLWT24S96-BS
- SLWT24S108-BS
- SLWT24S120-BS

30"

- SLWT30S36-BS
- SLWT30S48-BS
- SLWT30S60-BS
- SLWT30S72-BS
- SLWT30S84-BS
- SLWT30S96-BS
- SLWT30S108-BS
- SLWT30S120-BS

36"

- SLWT36S36-BS
- SLWT36S48-BS
- SLWT36S60-BS
- SLWT36S72-BS
- SLWT36S84-BS
- SLWT36S96-BS
- SLWT36S108-BS
- SLWT36S120-BS

Features

- 14 Gauge, 300 series stainless steel
- 4" backsplash with 1" return
- Welded construction for consistent metal gauge thickness throughout
- Sound deadened between top and bottom hat channels with double sided tape
- 1-5/8" Stainless steel legs and feet, adjustable up to 1"
- Fully adjustable stainless steel undershef
- Shipped knocked down for reduced shipping costs and supplied with Allen wrench and screws

Options

- Custom Size / Height
- Cutout in Top (depending on size and location)
- Edge Modification
- Urn Trough
- Overshelves
- Undershelves
- Drawers
- Sink
- Splash
- Base Options
- Welded Set-Up
- Casters / Feet Upgrade

* For additional available options, contact Elkay SSP

Materials

- **Top:** 14 Gauge, 300 series stainless steel, 1-3/4" turned-down edge
- **Legs:** 1-5/8" Diameter heavy gauge stainless steel tubing with stainless steel leg gussets and stainless steel feet adjustable up to 1"
- **Undershef:** 18 Gauge, 400 series stainless steel with 1-1/2" turned-down edge, fully adjustable



AUTOQUOTES

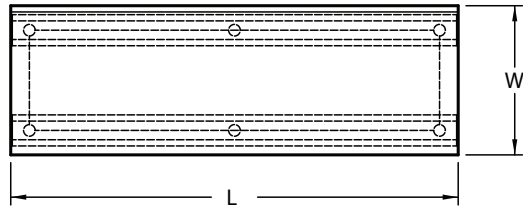


In keeping with our policy of continuing product improvement, Elkay SSP reserves the right to change product specifications without notice.

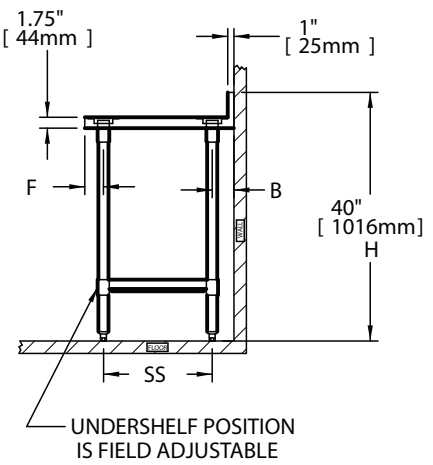
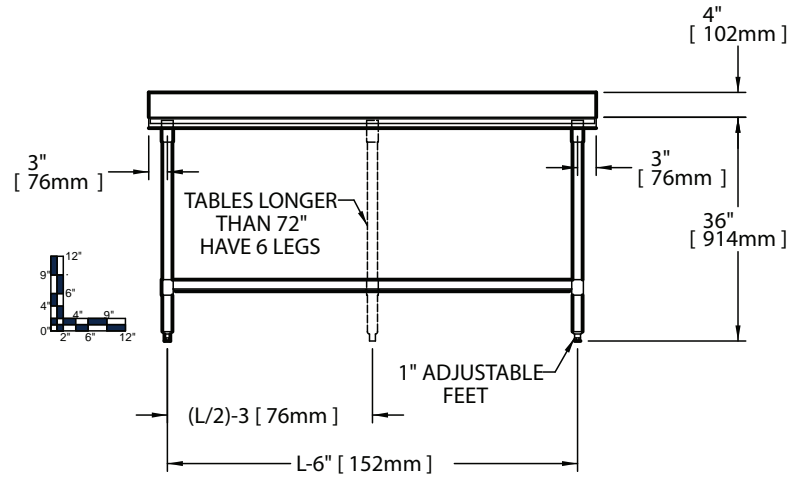
This specification describes an Elkay SSP product with design, quality and functional benefits to the user. When making a comparison of other producers' offerings, be certain these features are not overlooked.



Item No.: _____ Qty.: _____
 Model No.: _____
 Project No.: _____



Size of Undershef:
 Common length = subtract 6" from length
 24" Width = subtract 6.5" from width
 30" Width = subtract 7.45" from width
 36" Width = subtract 10" from width



24" Work Table				30" Work Table				36" Work Table				Legs			
Model Number	Overall Size		Weight	Model Number	Overall Size		Weight	Model Number	Overall Size		Weight				
	Length	Height			Length	Height			Length	Height					
	L	H		L	H		L	H	L	H					
	in.	mm	lbs. kg		in.	mm	lbs. kg		in.	mm	lbs. kg				
SLWT 24 S 36 -BS	36	914	40 1016	108 49	SLWT 30 S 36 -BS	36	914	40 1016	121 55	SLWT 36 S 36 -BS	36	914	40 1016	138 63	4
SLWT 24 S 48 -BS	48	1219	40 1016	132 60	SLWT 30 S 48 -BS	48	1219	40 1016	147 67	SLWT 36 S 48 -BS	48	1219	40 1016	168 76	4
SLWT 24 S 60 -BS	60	1524	40 1016	160 73	SLWT 30 S 60 -BS	60	1524	40 1016	179 81	SLWT 36 S 60 -BS	60	1524	40 1016	205 93	4
SLWT 24 S 72 -BS	72	1829	40 1016	184 84	SLWT 30 S 72 -BS	72	1829	40 1016	206 94	SLWT 36 S 72 -BS	72	1829	40 1016	236 107	4
SLWT 24 S 84 -BS	84	2134	40 1016	224 102	SLWT 30 S 84 -BS	84	2134	40 1016	249 113	SLWT 36 S 84 -BS	84	2134	40 1016	284 129	6
SLWT 24 S 96 -BS	96	2438	40 1016	248 113	SLWT 30 S 96 -BS	96	2438	40 1016	276 125	SLWT 36 S 96 -BS	96	2438	40 1016	316 144	6
SLWT 24 S 108 -BS	108	2743	40 1016	277 126	SLWT 30 S 108 -BS	108	2743	40 1016	311 141	SLWT 36 S 108 -BS	108	2743	40 1016	356 162	6
SLWT 24 S 120 -BS	120	3048	40 1016	305 139	SLWT 30 S 120 -BS	120	3048	40 1016	339 154	SLWT 36 S 120 -BS	120	3048	40 1016	388 176	6

* Custom sizes also available

