

Item No.:	_____	Qty.:	_____
Model No.:	_____		
Project No.:	_____		

Spec-Line Series Work Table

Spec-Line Work Table, Backsplash with Galvanized Undershef



24"	30"	36"
<input type="checkbox"/> SLWT24S36-BG	<input type="checkbox"/> SLWT30S36-BG	<input type="checkbox"/> SLWT36S36-BG
<input type="checkbox"/> SLWT24S48-BG	<input type="checkbox"/> SLWT30S48-BG	<input type="checkbox"/> SLWT36S48-BG
<input type="checkbox"/> SLWT24S60-BG	<input type="checkbox"/> SLWT30S60-BG	<input type="checkbox"/> SLWT36S60-BG
<input type="checkbox"/> SLWT24S72-BG	<input type="checkbox"/> SLWT30S72-BG	<input type="checkbox"/> SLWT36S72-BG
<input type="checkbox"/> SLWT24S84-BG	<input type="checkbox"/> SLWT30S84-BG	<input type="checkbox"/> SLWT36S84-BG
<input type="checkbox"/> SLWT24S96-BG	<input type="checkbox"/> SLWT30S96-BG	<input type="checkbox"/> SLWT36S96-BG
<input type="checkbox"/> SLWT24S108-BG	<input type="checkbox"/> SLWT30S108-BG	<input type="checkbox"/> SLWT36S108-BG
<input type="checkbox"/> SLWT24S120-BG	<input type="checkbox"/> SLWT30S120-BG	<input type="checkbox"/> SLWT36S120-BG

Features

- 14 Gauge, 300 series stainless steel
- 4" Backsplash with 1" return
- Welded construction for consistent metal gauge thickness throughout
- Sound deadened between top and bottom hat channels with double sided tape
- 1-5/8" Galvanized legs with high impact plastic feet, adjustable up to 1"
- Fully adjustable galvanized undershef
- Shipped knocked down for reduced shipping costs and supplied with Allen wrench and screws

Options

- Custom Size / Height
- Cutout in Top (depending on size and location)
- Edge Modification
- Urn Trough
- Overshelves
- Undershelves
- Drawers
- Sink
- Splash
- Base Options
- Welded Set-Up
- Casters / Feet Upgrade

* For additional available options, contact Elkay SSP

Materials

- **Top:** 14 Gauge, 300 series stainless steel, 1-3/4" turned-down edge
- **Legs:** 1-5/8" Diameter heavy gauge galvanized tubing with galvanized leg gussets and high impact plastic feet, adjustable up to 1"
- **Undershef:** Galvanized steel with 1-1/2" turned-down edge, fully adjustable



AUTOQUOTES



In keeping with our policy of continuing product improvement, Elkay SSP reserves the right to change product specifications without notice.

This specification describes an Elkay SSP product with design, quality and functional benefits to the user. When making a comparison of other producers' offerings, be certain these features are not overlooked.

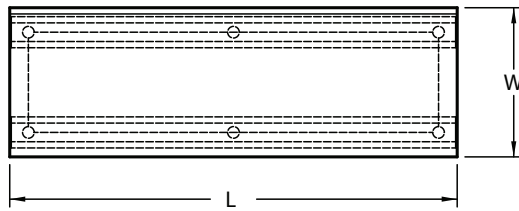
Elkay SSP

421 N. Freya St.
Spokane, WA 99205
Phone: 800-726-0553 Fax: 509-535-1493

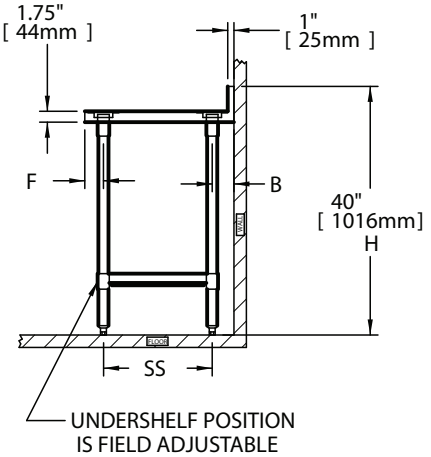
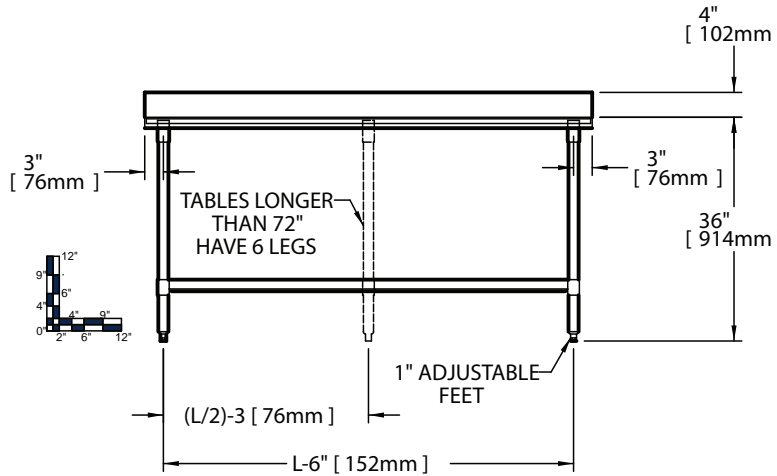
Website: www.sspinc.net
Email: sspsales@elkay.com
©2011 Elkay



Item No.: _____ Qty.: _____
 Model No.: _____
 Project No.: _____



Size of Undershef:
 Common length = subtract 6" from length
 24" Width = subtract 6.5" from width
 30" Width = subtract 7.45" from width
 36" Width = subtract 10" from width



24" Work Table				30" Work Table				36" Work Table				Legs			
Model Number	Overall Size		Weight	Model Number	Overall Size		Weight	Model Number	Overall Size		Weight				
	Length L	Height H			Length L	Height H			Length L	Height H					
	in.	mm	lbs. kg		in.	mm	lbs. kg		in.	mm	lbs. kg				
SLWT 24 S 36 -BG	36	914	40 1016	107 49	SLWT 30 S 36 -BG	36	914	40 1016	120 55	SLWT 36 S 36 -BG	36	914	40 1016	137 62	4
SLWT 24 S 48 -BG	48	1219	40 1016	131 60	SLWT 30 S 48 -BG	48	1219	40 1016	146 66	SLWT 36 S 48 -BG	48	1219	40 1016	167 76	4
SLWT 24 S 60 -BG	60	1524	40 1016	159 72	SLWT 30 S 60 -BG	60	1524	40 1016	178 81	SLWT 36 S 60 -BG	60	1524	40 1016	204 93	4
SLWT 24 S 72 -BG	72	1829	40 1016	183 83	SLWT 30 S 72 -BG	72	1829	40 1016	205 93	SLWT 36 S 72 -BG	72	1829	40 1016	235 107	4
SLWT 24 S 84 -BG	84	2134	40 1016	222 101	SLWT 30 S 84 -BG	84	2134	40 1016	247 112	SLWT 36 S 84 -BG	84	2134	40 1016	282 128	6
SLWT 24 S 96 -BG	96	2438	40 1016	247 112	SLWT 30 S 96 -BG	96	2438	40 1016	275 125	SLWT 36 S 96 -BG	96	2438	40 1016	314 143	6
SLWT 24 S 108 -BG	108	2743	40 1016	275 125	SLWT 30 S 108 -BG	108	2743	40 1016	310 141	SLWT 36 S 108 -BG	108	2743	40 1016	354 161	6
SLWT 24 S 120 -BG	120	3048	40 1016	303 138	SLWT 30 S 120 -BG	120	3048	40 1016	338 154	SLWT 36 S 120 -BG	120	3048	40 1016	387 176	6

* Custom sizes also available

