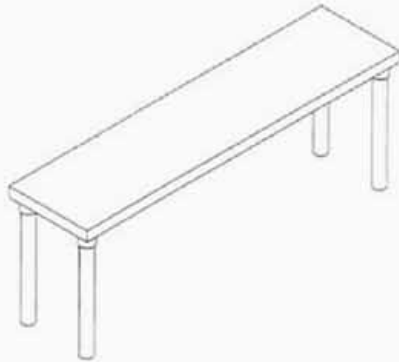




**TABLE MOUNTED
SHELVES**



FEATURES:

CONSTRUCTED of 18 gauge 304 stainless steel with lip down on all sides.

INCLUDES: Stainless steel legs. Working height 18" above table.

MOUNTING: Rubber expanding inserts supplied for mounting shelf to table.

All visible welds are ground and polished to no. 4 finish.

STANDARD SIZES (in.)

MODEL	LENGTH	WIDTH	
TMS-1-10-36	36	10	
TMS-1-10-48	48		
TMS-1-10-60	60		
TMS-1-10-72	72		
TMS-1-10-84	84		
TMS-1-10-96	96		
TMS-1-10-108	108		
TMS-1-10-120	120		
TMS-1-12-36	36		12
TMS-1-12-48	48		
TMS-1-12-60	60		
TMS-1-12-72	72		
TMS-1-12-84	84		
TMS-1-12-96	96		
TMS-1-12-108	108		
TMS-1-12-120	120		
TMS-1-14-36	36	14	
TMS-1-14-48	48		
TMS-1-14-60	60		
TMS-1-14-72	72		
TMS-1-14-84	84		
TMS-1-14-96	96		
TMS-1-14-108	108		
TMS-1-14-120	120		

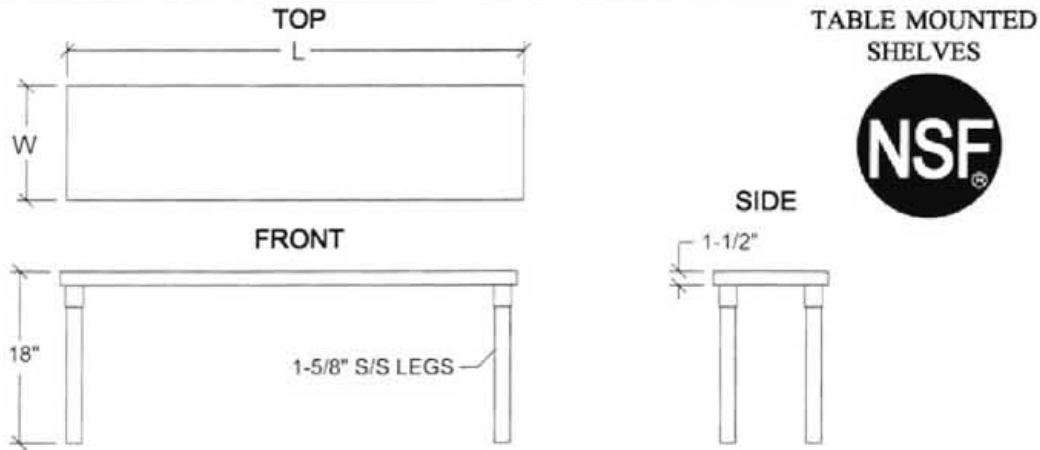
MODEL	LENGTH	WIDTH	
TMS-1-16-36	36	16	
TMS-1-16-48	48		
TMS-1-16-60	60		
TMS-1-16-72	72		
TMS-1-16-84	84		
TMS-1-16-96	96		
TMS-1-16-108	108		
TMS-1-16-120	120		
TMS-1-18-36	36		18
TMS-1-18-48	48		
TMS-1-18-60	60		
TMS-1-18-72	72		
TMS-1-18-84	84		
TMS-1-18-96	96		
TMS-1-18-108	108		
TMS-1-18-120	120		

CUSTOM SIZES AVAILABLE!

SPECIFICATIONS

DATE: _____ MODEL NO: _____

PROJECT: _____



NOTE: Shelves over 84" have 6 legs.

DIMENSIONS (in.)

MODEL	LENGTH	WIDTH	APPROX. WT. (LBS.)	MODEL	LENGTH	WIDTH	APPROX. WT. (LBS.)
TMS-1-10-36	36	10	19	TMS-1-16-36	36	16	22
TMS-1-10-48	48		21	TMS-1-16-48	48		24
TMS-1-10-60	60		23	TMS-1-16-60	60		26
TMS-1-10-72	72		30	TMS-1-16-72	72		33
TMS-1-10-84	84		32	TMS-1-16-84	84		35
TMS-1-10-96	96		35	TMS-1-16-96	96		38
TMS-1-10-108	108		37	TMS-1-16-108	108		40
TMS-1-10-120	120		39	TMS-1-16-120	120		42
TMS-1-12-36	36	12	20	TMS-1-18-36	36	18	23
TMS-1-12-48	48		22	TMS-1-18-48	48		25
TMS-1-12-60	60		24	TMS-1-18-60	60		27
TMS-1-12-72	72		31	TMS-1-18-72	72		34
TMS-1-12-84	84		33	TMS-1-18-84	84		36
TMS-1-12-96	96		36	TMS-1-18-96	96		39
TMS-1-12-108	108		38	TMS-1-18-108	108		41
TMS-1-12-120	120		40	TMS-1-18-120	120		43
TMS-1-14-36	36	14	21				
TMS-1-14-48	48		23				
TMS-1-14-60	60		25				
TMS-1-14-72	72		32				
TMS-1-14-84	84		34				
TMS-1-14-96	96		37				
TMS-1-14-108	108		39				
TMS-1-14-120	120		41				

(Specifications Subject To Change)



North 421 Freya, Spokane, WA 99202 509-533-0808 / 800-726-0553 Fax: 509-535-1493 Website: <http://www.sspinc.net> E-mail: ssp@sspinc.net