



**DOUBLE TIER
TABLE MOUNTED
SHELVES**



FEATURES:

CONSTRUCTED of 18 gauge 304 stainless steel with lip down at the front and both sides.

INCLUDES: Stainless steel legs. Working height is 30" above table.

MOUNTING: Rubber expanding inserts supplied for mounting shelf to table.

All visible welds are ground and polished to no. 4 finish.

STANDARD SIZES (in.)

MODEL	LENGTH	WIDTH	
TMS-2-10-36	36	10	
TMS-2-10-48	48		
TMS-2-10-60	60		
TMS-2-10-72	72		
TMS-2-10-84	84		
TMS-2-10-96	96		
TMS-2-10-108	108		
TMS-2-10-120	120		
TMS-2-12-36	36		12
TMS-2-12-48	48		
TMS-2-12-60	60		
TMS-2-12-72	72		
TMS-2-12-84	84		
TMS-2-12-96	96		
TMS-2-12-108	108		
TMS-2-12-120	120		
TMS-2-14-36	36	14	
TMS-2-14-48	48		
TMS-2-14-60	60		
TMS-2-14-72	72		
TMS-2-14-84	84		
TMS-2-14-96	96		
TMS-2-14-108	108		
TMS-2-14-120	120		

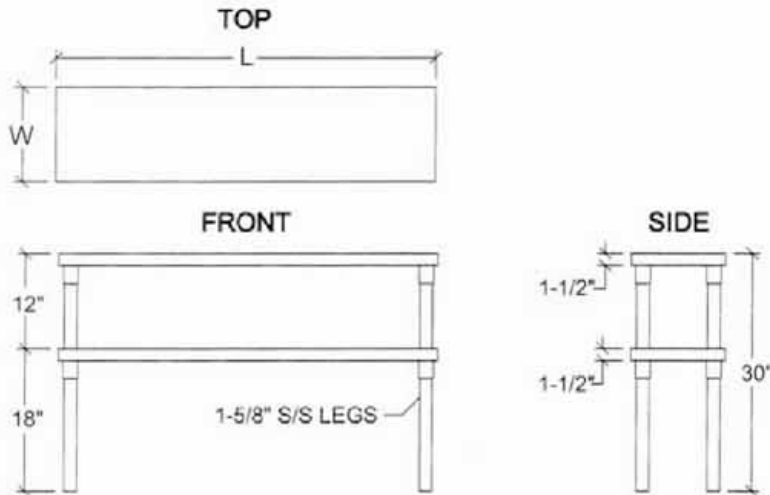
MODEL	LENGTH	WIDTH	
TMS-2-16-36	36	16	
TMS-2-16-48	48		
TMS-2-16-60	60		
TMS-2-16-72	72		
TMS-2-16-84	84		
TMS-2-16-96	96		
TMS-2-16-108	108		
TMS-2-16-120	120		
TMS-2-18-36	36		18
TMS-2-18-48	48		
TMS-2-18-60	60		
TMS-2-18-72	72		
TMS-2-18-84	84		
TMS-2-18-96	96		
TMS-2-18-108	108		
TMS-2-18-120	120		

CUSTOM SIZES AVAILABLE!

SPECIFICATIONS

DATE: _____ MODEL NO: _____

PROJECT: _____



DOUBLE TIER
TABLE MOUNTED
SHELVES



NOTE: Shelves over 84" have 6 legs.

DIMENSIONS (in.)

MODEL	LENGTH	WIDTH	APPROX. WT. (LBS.)	MODEL	LENGTH	WIDTH	APPROX. WT. (LBS.)
TMS-2-10-36	36	10	34	TMS-2-16-36	36	16	37
TMS-2-10-48	48		38	TMS-2-16-48	48		41
TMS-2-10-60	60		43	TMS-2-16-60	60		45
TMS-2-10-72	72		55	TMS-2-16-72	72		58
TMS-2-10-84	84		59	TMS-2-16-84	84		62
TMS-2-10-96	96		64	TMS-2-16-96	96		67
TMS-2-10-108	108		66	TMS-2-16-108	108		71
TMS-2-10-120	120		72	TMS-2-16-120	120		75
TMS-2-12-36	36		12	35	TMS-2-18-36		36
TMS-2-12-48	48	39		TMS-2-18-48	48	42	
TMS-2-12-60	60	44		TMS-2-18-60	60	46	
TMS-2-12-72	72	56		TMS-2-18-72	72	59	
TMS-2-12-84	84	60		TMS-2-18-84	84	63	
TMS-2-12-96	96	65		TMS-2-18-96	96	68	
TMS-2-12-108	108	69		TMS-2-18-108	108	72	
TMS-2-12-120	120	73		TMS-2-18-120	120	76	
TMS-2-14-36	36	14		36			
TMS-2-14-48	48		40				
TMS-2-14-60	60		44				
TMS-2-14-72	72		57				
TMS-2-14-84	84		61				
TMS-2-14-96	96		66				
TMS-2-14-108	108		70				
TMS-2-14-120	120		74				

(Specifications Subject To Change)



North 421 Freya, Spokane, WA 99202 509-533-0808 / 800-726-0553 Fax: 509-535-1493 Website: <http://www.sspinc.net> E-mail: ssp@sspinc.net