

Item No.:	_____	Qty.:	_____
Model No.:	_____		
Project No.:	_____		



## Specifications

Standard Under Counter Dish Table, straight design, left-to-right operation, 8" high backsplash with 2" return, 16 gauge stainless steel top & pre-rinse sink, galvanized legs with adjustable plastic feet (specify faucet hole location), NSF approved

## Features

- 16 Ga. stainless steel
- Welded construction for consistent metal gauge thickness throughout
- 8" (203.2 mm) backsplash with tile edge for easy installation
- Drainboard dipped to fab for positive drainage
- Raised 1-1/2" (38.1 mm) diameter rolled edge
- 1-5/8" (41.3 mm) galvanized legs with 1" (25.4 mm) adjustable plastic feet

## Standard Series Under Counter Dish Table

*Standard Series Left-to-Right Straight Under Counter Dish Table*

- UDT-50-L**
- UDT-60-L**

## Options

- Pass Thru
- Stainless Steel H-frame Legs and Feet
- Scrap Baskets with Rack Slides
- Undershelves
- End Splash

\* For additional available options, contact Elkay SSP

## Materials

- Top: Bowl and backsplash are 16 gauge 300 series stainless steel
- Legs: All sinks furnished with 1-5/8" (41.3 mm) diameter heavy gauge galvanized tubing with galvanized leg gussets and high impact corrosion resistant fully adjustable 1" (25.4 mm) feet



**AUTOQUOTES**



*In keeping with our policy of continuing product improvement, Elkay SSP reserves the right to change product specifications without notice.*

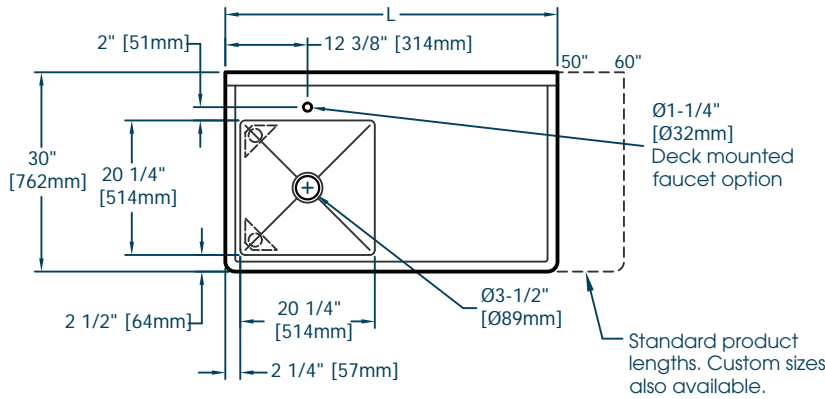
*This specification describes an Elkay SSP product with design, quality and functional benefits to the user. When making a comparison of other producers' offerings, be certain these features are not overlooked.*



Item No.: \_\_\_\_\_ Qty.: \_\_\_\_\_  
 Model No.: \_\_\_\_\_  
 Project No.: \_\_\_\_\_

**Standard Series Under Counter Dish Table**  
*Standard Series Left-to-Right Under Counter Soiled Dish Table*

UDT  
 50" - 60"



**Faucet Hole Options**

Specify at time of ordering

**Back Splash Mounted**

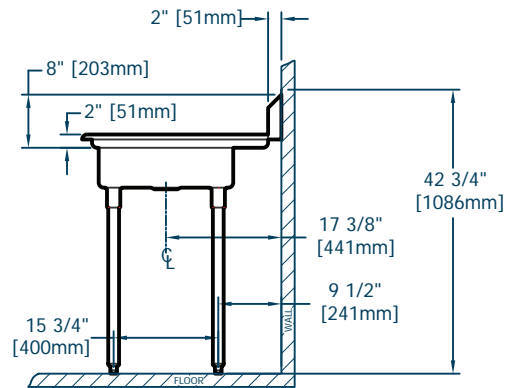
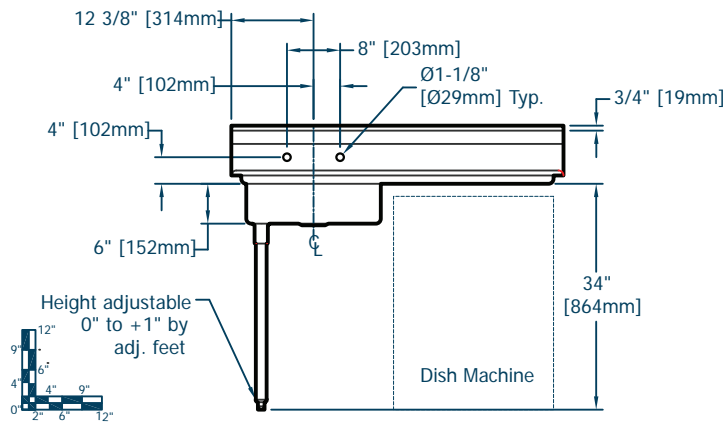
(2) 1-1/8" Dia. holes, 8" on center  
 Reference Side View

**Deck Mounted**

(1) 1-1/4" Dia. hole, centered over  
 tub drain centerline  
 Reference Plan View on p. 3

**No Hole**

Product supplied without faucet  
 hole drilling



Standard Under Counter Dish Tables																
Model Number	Bowl Dimensions						Overall Size				Drain Location DL	Weight				
	Width		Front-to-Back		Depth		Length		Width			Height		in.	kg	
	A	mm	B	mm	D	mm	L	mm	W	mm	H	mm	in.			mm
UDT - 50 - L	20.25	514.4	20.25	514.4	6	152.4	50	1270	30	762	42.75	1086	17	441	68	31
UDT - 60 - L	20.25	514.4	20.25	514.4	6	152.4	60	1524	30	762	42.75	1086	17	441	76	34

Product Positioned Left of Dish Machine  
 Length - in  
 Under Counter Dish Table, Straight Design