

Item No.: \_\_\_\_\_ Qty.: \_\_\_\_\_  
Model No.: \_\_\_\_\_  
Project No.: \_\_\_\_\_



## Standard Series Under Counter Dish Table

Standard Series Right-to-Left Straight Under Counter Dish Table

- UDT-50-R
- UDT-60-R

## Options

- Pass Thru
- Stainless Steel H-frame Legs and Feet
- Scrap Baskets with Rack Slides
- Undershelves
- End Splash

\* For additional available options, contact Elkay SSP

## Specifications

Standard Under Counter Dish Table, straight design, right-to-left operation, 8" high backsplash with 2" return, 16 gauge stainless steel top & pre-rinse sink, galvanized legs with adjustable plastic feet (specify faucet hole location), NSF approved

## Features

- 16 Ga. stainless steel
- Welded construction for consistent metal gauge thickness throughout
- 8" (203.2 mm) backsplash with tile edge for easy installation
- Drainboard dipped to fab for positive drainage
- Raised 1-1/2" (38.1 mm) diameter rolled edge
- 1-5/8" (41.3 mm) galvanized legs with 1" (25.4 mm) adjustable plastic feet

## Materials

- Top: Bowl and backsplash are 16 gauge 300 series stainless steel
- Legs: All sinks furnished with 1-5/8" (41.3 mm) diameter heavy gauge galvanized tubing with galvanized leg gussets and high impact corrosion resistant fully adjustable 1" (25.4 mm) feet



AUTOQUOTES



In keeping with our policy of continuing product improvement, Elkay SSP reserves the right to change product specifications without notice.

This specification describes an Elkay SSP product with design, quality and functional benefits to the user. When making a comparison of other producers' offerings, be certain these features are not overlooked.

Elkay SSP  
421 N. Freya St.  
Spokane, WA 99205  
Phone: 800-726-0553 Fax: 509-535-1493

Website: [www.sspinc.net](http://www.sspinc.net)  
Email: [sspsales@elkay.com](mailto:sspsales@elkay.com)  
©2011 Elkay



Item No.: \_\_\_\_\_ Qty.: \_\_\_\_\_  
 Model No.: \_\_\_\_\_  
 Project No.: \_\_\_\_\_

## Standard Series Under Counter Dish Table

Standard Series Right-to-Left Under Counter Soiled Dish Table

UDT  
50" - 60"

### Faucet Hole Options

Specify at time of ordering

#### Back Splash Mounted

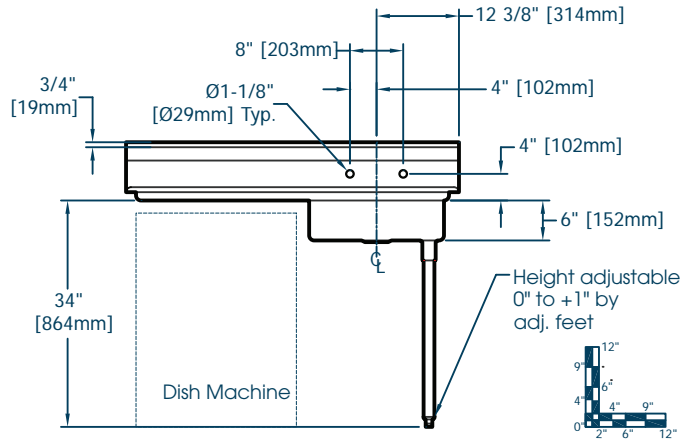
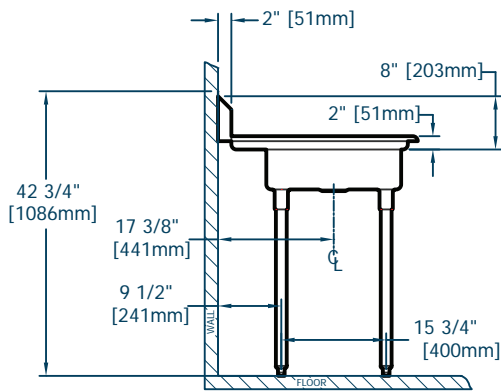
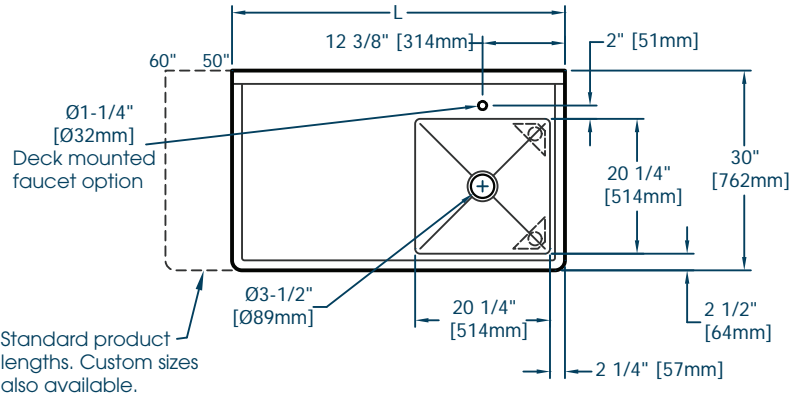
(2) 1-1/8" Dia. holes, 8" on center  
Reference Side View

#### Deck Mounted

(1) 1-1/4" Dia. hole, centered over  
tub drain centerline  
Reference Plan View on p. 3

#### No Hole

Product supplied without  
faucet hole drilling



Standard Under Counter Dish Tables																
Model Number	Bowl Dimensions						Overall Size			Drain Location		Weight				
	Width		Front-to-Back		Depth		Length		Width	Height	DL					
	A	mm	B	mm	D	mm	L	mm	W	H	in.	mm	lbs.	kg		
UDT - 50 - R	20.25	514.4	20.25	514.4	6	152.4	50	1270	30	762	42.75	1086	17	441	68	31
UDT - 60 - R	20.25	514.4	20.25	514.4	6	152.4	60	1524	30	762	42.75	1086	17	441	76	34

