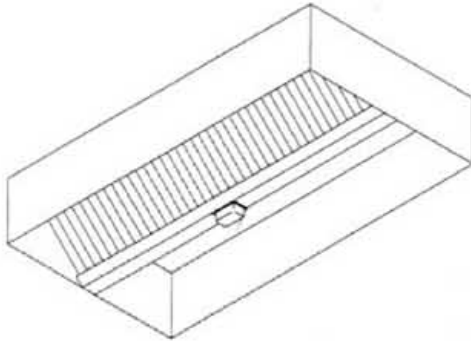




CLASS I  
V-BANK HOODS  
ISLAND APPLICATION



**FEATURES:**

**CONSTRUCTED** of 18 gauge stainless steel.

**INCLUDES:** UL approved aluminum filters, UL approved globe hood lights, stainless steel hanging brackets, 3" air space and grease cup(s).

All visible welds are ground and polished to no. 4 finish.

STANDARD SIZES (in.)

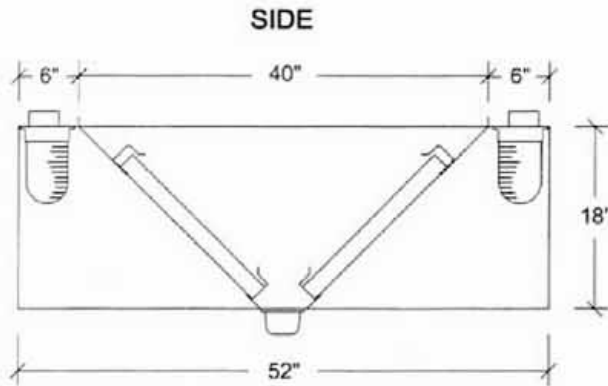
MODEL	LENGTH	WIDTH	HEIGHT
VBH-48-1	48	52	18
VBH-60-1	60		
VBH-72-1	72		
VBH-84-1	84		
VBH-96-1	96		
VBH-108-1	108		
VBH-120-1	120		
VBH-132-1	132		
VBH-144-1	144		

**CUSTOM SIZES AVAILABLE!**

# SPECIFICATIONS

DATE: \_\_\_\_\_ MODEL NO: \_\_\_\_\_  
 PROJECT: \_\_\_\_\_

CLASS I  
 V-BANK HOODS  
 ISLAND APPLICATION



## DIMENSIONS (in.)

MODEL	LENGTH	DUCT OPENING	SP AT FILTERS	# FILTERS	CFM	WIDTH	HEIGHT	APPROX. WT. (lbs.)
VBH-48-1	48	277 sq. in.	0.69	4	3466	52	18	180
VBH-60-1	60	346 sq. in.	0.47	6	4333			200
VBH-72-1	72	416 sq. in.	0.69	6	5200			225
VBH-84-1	84	485 sq. in.	0.52	8	6066			260
VBH-96-1	96	554 sq. in.	0.69	8	6933			285
VBH-108-1	108	624 sq. in.	0.55	10	7800			310
VBH-120-1	120	693 sq. in.	0.69	10	8666			325
VBH-132-1	132	762 sq. in.	0.59	12	9533			365
VBH-144-1	144	832 sq. in.	0.58	14	10400			390

(Specifications Subject To Change)



North 421 Freya, Spokane, WA 99202 509-533-0808 / 800-726-0553 Fax: 509-535-1493 Website: <http://www.sspinc.net> E-mail: [ssp@sspinc.net](mailto:ssp@sspinc.net)