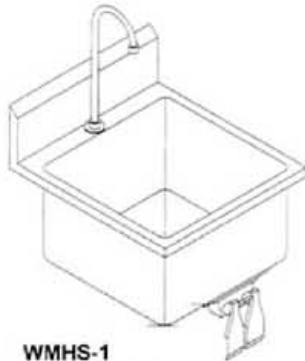
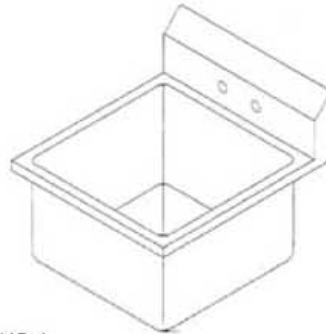




WALL MOUNTED  
HAND SINKS



WMHS-1  
WITH KNEE VALVE  
AND SPOUT



WMHS-1  
WITH PEDESTAL

**FEATURES:**

**BOWLS** are constructed of 16 gauge 304 stainless steel.

**BACKSPLASH** is 6" tall, from the deck, with a 2" return at 45°.

**FAUCET:** Deck mount 6" goose neck faucet with knee valves. Foot controls (hot & cold) provided with pedestal sink.

**INCLUDES:** Faucet (and knee valve with WMHS-1), z-clip mounting bracket and (1) 1-1/2" basket strainer.

**PEDESTAL:** 18 gauge 304 stainless steel construction with foot valves (hot & cold).

All visible welds are ground and polished to no. 4 finish.

**STANDARD SIZES (in.)**

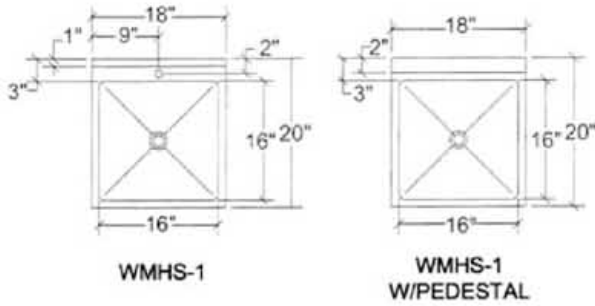
MODEL	BOWL	LENGTH	WIDTH	HEIGHT
WMHS-1	16X16X10	18	20	16
WMHS-1 w/PEDESTAL	16X16X10	18	20	28

***CUSTOM SIZES AVAILABLE!***

# SPECIFICATIONS

DATE: \_\_\_\_\_ MODEL NO: \_\_\_\_\_  
 PROJECT: \_\_\_\_\_

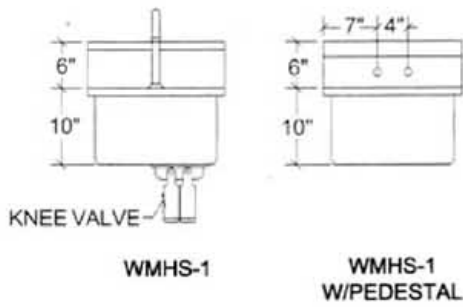
## TOP



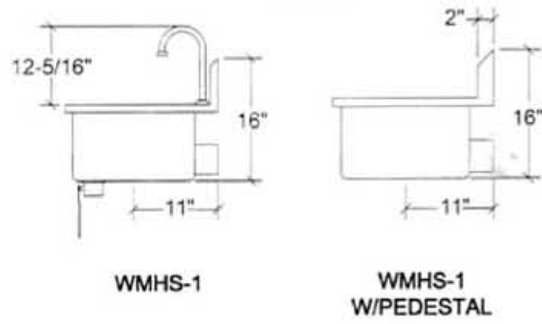
## WALL MOUNTED HAND SINKS



## FRONT



## SIDE



MODEL	APPROX. WT. (lbs.)
WMHS-1	24
WMHS-1 W/PEDESTAL	36

(Specifications Subject To Change)

