

Item No.:	_____	Qty.:	_____
Model No.:	_____		
Project No.:	_____		

Standard Series Work Table

Standard Work Table, Flat Top with Stainless Steel Undershef



24"

30"

36"

- | | | |
|---------------------------------------|---------------------------------------|---------------------------------------|
| <input type="checkbox"/> WT24S30-ST5 | <input type="checkbox"/> WT30S30-ST5 | <input type="checkbox"/> WT36S36-ST5 |
| <input type="checkbox"/> WT24S36-ST5 | <input type="checkbox"/> WT30S36-ST5 | <input type="checkbox"/> WT36S48-ST5 |
| <input type="checkbox"/> WT24S48-ST5 | <input type="checkbox"/> WT30S48-ST5 | <input type="checkbox"/> WT36S60-ST5 |
| <input type="checkbox"/> WT24S60-ST5 | <input type="checkbox"/> WT30S60-ST5 | <input type="checkbox"/> WT36S72-ST5 |
| <input type="checkbox"/> WT24S72-ST5 | <input type="checkbox"/> WT30S72-ST5 | <input type="checkbox"/> WT36S84-ST5 |
| <input type="checkbox"/> WT24S84-ST5 | <input type="checkbox"/> WT30S84-ST5 | <input type="checkbox"/> WT36S96-ST5 |
| <input type="checkbox"/> WT24S96-ST5 | <input type="checkbox"/> WT30S96-ST5 | <input type="checkbox"/> WT36S108-ST5 |
| <input type="checkbox"/> WT24S108-ST5 | <input type="checkbox"/> WT30S108-ST5 | <input type="checkbox"/> WT36S120-ST5 |
| <input type="checkbox"/> WT24S120-ST5 | <input type="checkbox"/> WT30S120-ST5 | |

Features

- 16 Gauge, 300 series stainless steel
- Welded construction for consistent metal gauge thickness throughout
- Sound deadened between top and bottom hat channels with double sided tape
- 1-5/8" Stainless steel legs and feet, adjustable up to 1"
- Fully adjustable stainless steel undershef
- Shipped knocked down for reduced shipping costs and supplied with Allen wrench and screws

Options

- Custom Size / Height
- Cutout in Top (depending on size and location)
- Edge Modification
- Urn Trough
- Overshelves
- Undershelves
- Drawers
- Sink
- Splash
- Base Options
- Welded Set-Up
- Casters / Feet Upgrade

* For additional available options, contact Elkay SSP

Materials

- **Top:** 16 Gauge, 300 series stainless steel, 1-3/4" turned-down edge
- **Legs:** 1-5/8" Diameter heavy gauge stainless steel tubing with stainless steel leg gussets and stainless steel feet, adjustable up to 1"
- **Undershef:** 18 Gauge, 400 series stainless steel, 1-1/2" turned-down edge, fully adjustable



AUTOQUOTES



In keeping with our policy of continuing product improvement, Elkay SSP reserves the right to change product specifications without notice.

This specification describes an Elkay SSP product with design, quality and functional benefits to the user. When making a comparison of other producers' offerings, be certain these features are not overlooked.

Elkay SSP

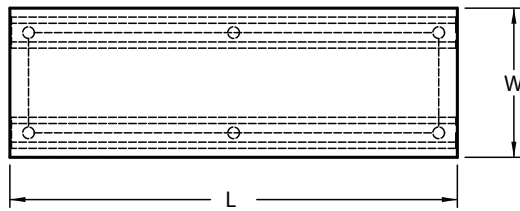
421 N. Freya St.
Spokane, WA 99205
Phone: 800-726-0553 Fax: 509-535-1493

Website: www.sspinc.net
Email: sspsales@elkay.com

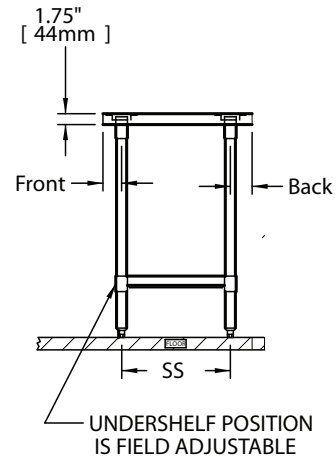
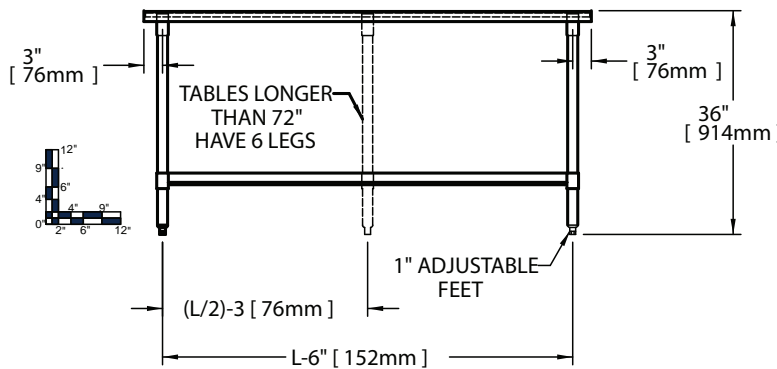
©2011 Elkay



Item No.: _____ Qty.: _____
 Model No.: _____
 Project No.: _____



Size of Undershef:
 Common length = subtract 6" from length
 24" Width = subtract 6.5" from width
 30" Width = subtract 7.45" from width
 36" Width = subtract 10" from width



24" Work Table					30" Work Table					36" Work Table					Legs						
Model Number	Overall Size		Weight		Model Number	Overall Size		Weight		Model Number	Overall Size		Weight								
	Length L	Height H	lbs.	kg		Length L	Height H	lbs.	kg		Length L	Height H	lbs.	kg							
	in.	mm	in.	mm		in.	mm	in.	mm		in.	mm	in.	mm	lbs.	kg					
WT 24 S 30 - STS	30	762	36	914	91	41	WT 30 S 30 - STS	30	762	36	914	104	47				4				
WT 24 S 36 - STS	36	914	36	914	99	45	WT 30 S 36 - STS	36	914	36	914	111	50	WT 36 S 36 - STS	36	914	36	914	126	57	4
WT 24 S 48 - STS	48	1219	36	914	121	55	WT 30 S 48 - STS	48	1219	36	914	134	61	WT 36 S 48 - STS	48	1219	36	914	154	70	4
WT 24 S 60 - STS	60	1524	36	914	147	67	WT 30 S 60 - STS	60	1524	36	914	164	75	WT 36 S 60 - STS	60	1524	36	914	188	85	4
WT 24 S 72 - STS	72	1829	36	914	168	76	WT 30 S 72 - STS	72	1829	36	914	188	85	WT 36 S 72 - STS	72	1829	36	914	216	98	4
WT 24 S 84 - STS	84	2134	36	914	205	93	WT 30 S 84 - STS	84	2134	36	914	228	104	WT 36 S 84 - STS	84	2134	36	914	261	119	6
WT 24 S 96 - STS	96	2438	36	914	228	104	WT 30 S 96 - STS	96	2438	36	914	253	115	WT 36 S 96 - STS	96	2438	36	914	289	131	6
WT 24 S 108 - STS	108	2743	36	914	257	117	WT 30 S 108 - STS	108	2743	36	914	285	130	WT 36 S 108 - STS	108	2743	36	914	326	148	6
WT 24 S 120 - STS	120	3048	36	914	280	127	WT 30 S 120 - STS	120	3048	36	914	310	141	WT 36 S 120 - STS	120	3048	36	914	356	162	6

* Custom sizes also available

