

Item No.:	_____	Qty.:	_____
Model No.:	_____		
Project No.:	_____		

Standard Series Work Table

Standard Work Table, Flat Top with Galvanized Undershef



24"

30"

36"

- | | | |
|---------------------------------------|---------------------------------------|---------------------------------------|
| <input type="checkbox"/> WT24S30-STG | <input type="checkbox"/> WT30S30-STG | <input type="checkbox"/> WT36S36-STG |
| <input type="checkbox"/> WT24S36-STG | <input type="checkbox"/> WT30S36-STG | <input type="checkbox"/> WT36S48-STG |
| <input type="checkbox"/> WT24S48-STG | <input type="checkbox"/> WT30S48-STG | <input type="checkbox"/> WT36S60-STG |
| <input type="checkbox"/> WT24S60-STG | <input type="checkbox"/> WT30S60-STG | <input type="checkbox"/> WT36S72-STG |
| <input type="checkbox"/> WT24S72-STG | <input type="checkbox"/> WT30S72-STG | <input type="checkbox"/> WT36S84-STG |
| <input type="checkbox"/> WT24S84-STG | <input type="checkbox"/> WT30S84-STG | <input type="checkbox"/> WT36S96-STG |
| <input type="checkbox"/> WT24S96-STG | <input type="checkbox"/> WT30S96-STG | <input type="checkbox"/> WT36S108-STG |
| <input type="checkbox"/> WT24S108-STG | <input type="checkbox"/> WT30S108-STG | <input type="checkbox"/> WT36S120-STG |
| <input type="checkbox"/> WT24S120-STG | <input type="checkbox"/> WT30S120-STG | |

Features

- 16 Gauge, 300 series stainless steel
- Welded construction for consistent metal gauge thickness throughout
- Sound deadened between top and bottom hat channels with double sided tape
- 1-5/8" Galvanized legs with high impact plastic feet, adjustable up to 1"
- Fully adjustable galvanized undershef
- Shipped knocked down for reduced shipping costs and supplied with Allen wrench and screws

Options

- Custom Size / Height
- Cutout in Top (depending on size and location)
- Edge Modification
- Urn Trough
- Overshelves
- Undershelves
- Drawers
- Sink
- Splash
- Base Options
- Welded Set-Up
- Casters / Feet Upgrade

* For additional available options, contact Elkay SSP

Materials

- **Top:** 16 Gauge, 300 series stainless steel, 1-3/4" turned-down edge
- **Legs:** 1-5/8" Diameter heavy gauge galvanized tubing with galvanized leg gussets and high impact plastic feet, adjustable up to 1"
- **Undershef:** Galvanized steel with 1-1/2" turned-down edge, fully adjustable



AUTOQUOTES



In keeping with our policy of continuing product improvement, Elkay SSP reserves the right to change product specifications without notice.

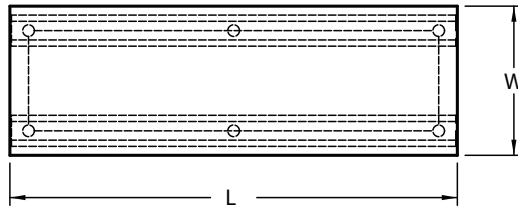
This specification describes an Elkay SSP product with design, quality and functional benefits to the user. When making a comparison of other producers' offerings, be certain these features are not overlooked.

Elkay SSP
 421 N. Freya St.
 Spokane, WA 99205
 Phone: 800-726-0553 Fax: 509-535-1493

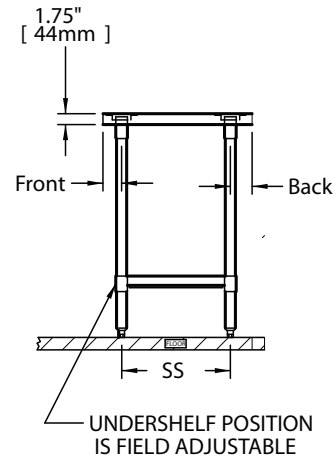
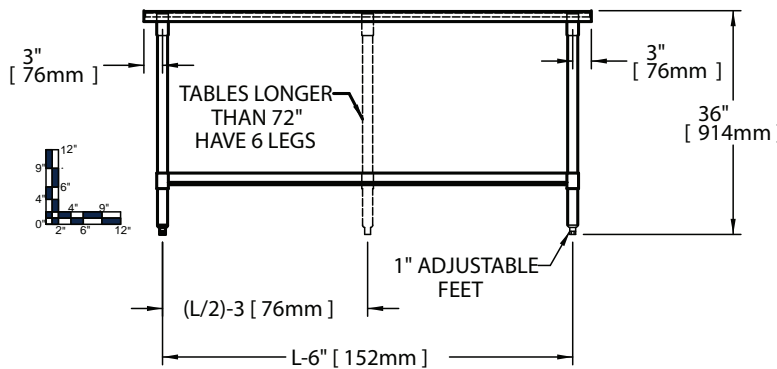
Website: www.sspinc.net
 Email: sspsales@elkay.com
 ©2011 Elkay



Item No.: _____ Qty.: _____
 Model No.: _____
 Project No.: _____



Size of Undershef:
 Common length = subtract 6" from length
 24" Width = subtract 6.5" from width
 30" Width = subtract 7.45" from width
 36" Width = subtract 10" from width



24" Work Table				30" Work Table				36" Work Table				Legs			
Model Number	Overall Size		Weight	Model Number	Overall Size		Weight	Model Number	Overall Size		Weight				
	Length L	Height H			Length L	Height H			Length L	Height H					
	in.	mm	lbs. kg		in.	mm	lbs. kg		in.	mm	lbs. kg				
WT 24 S 30 -STG	30	762	36 914	90 41	WT 30 S 30 -STG	30	762	36 914	103 47				4		
WT 24 S 36 -STG	36	914	36 914	98 45	WT 30 S 36 -STG	36	914	36 914	110 50	WT 36 S 36 -STG	36	914	36 914	125 57	4
WT 24 S 48 -STG	48	1219	36 914	120 55	WT 30 S 48 -STG	48	1219	36 914	133 60	WT 36 S 48 -STG	48	1219	36 914	153 70	4
WT 24 S 60 -STG	60	1524	36 914	146 66	WT 30 S 60 -STG	60	1524	36 914	163 74	WT 36 S 60 -STG	60	1524	36 914	187 85	4
WT 24 S 72 -STG	72	1829	36 914	167 76	WT 30 S 72 -STG	72	1829	36 914	187 85	WT 36 S 72 -STG	72	1829	36 914	215 98	4
WT 24 S 84 -STG	84	2134	36 914	204 93	WT 30 S 84 -STG	84	2134	36 914	226 103	WT 36 S 84 -STG	84	2134	36 914	259 118	6
WT 24 S 96 -STG	96	2438	36 914	226 103	WT 30 S 96 -STG	96	2438	36 914	251 114	WT 36 S 96 -STG	96	2438	36 914	288 131	6
WT 24 S 108 -STG	108	2743	36 914	256 116	WT 30 S 108 -STG	108	2743	36 914	284 129	WT 36 S 108 -STG	108	2743	36 914	325 148	6
WT 24 S 120 -STG	120	3048	36 914	278 126	WT 30 S 120 -STG	120	3048	36 914	309 140	WT 36 S 120 -STG	120	3048	36 914	354 161	6

* Custom sizes also available

