

| | | | |
|--------------|-------|-------|-------|
| Item No.: | _____ | Qty.: | _____ |
| Model No.: | _____ | | |
| Project No.: | _____ | | |



Standard Series Work Table

Standard Work Table, Flat Top with Stainless Steel Undershef

24"

30"

- WT24S30-STSX
- WT24S36-STSX
- WT24S48-STSX
- WT24S60-STSX
- WT24S72-STSX
- WT24S84-STSX
- WT24S96-STSX
- WT24S108-STSX
- WT24S120-STSX

- WT30S30-STSX
- WT30S36-STSX
- WT30S48-STSX
- WT30S60-STSX
- WT30S72-STSX
- WT30S84-STSX
- WT30S96-STSX
- WT30S108-STSX
- WT30S120-STSX

Features

- 16 Gauge, 300 series stainless steel
- Welded construction for consistent metal gauge thickness throughout
- Sound deadened between top and bottom hat channels with double sided tape
- 1-5/8" Stainless steel legs and feet, adjustable up to 1"
- Fully adjustable stainless steel undershef
- Shipped knocked down for reduced shipping costs and supplied with Allen wrench and screws

Options

- Custom Height (if less than 36")
- Cutout in Top (depending on size and location)
- Overshelves
- Undershelves
- Drawers
- Casters / Feet Upgrade

* For additional available options, contact Elkay SSP

Materials

- **Top:** 16 Gauge, 300 series stainless steel, 1-3/4" turned-down edge
- **Legs:** 1-5/8" Diameter heavy gauge stainless steel tubing with stainless steel leg gussets and stainless steel feet, adjustable up to 1"
- **Undershef:** 18 Gauge, 400 series stainless steel, 1-1/2" turned-down edge, fully adjustable

Flyer Product



AUTOQUOTES



In keeping with our policy of continuing product improvement, Elkay SSP reserves the right to change product specifications without notice.

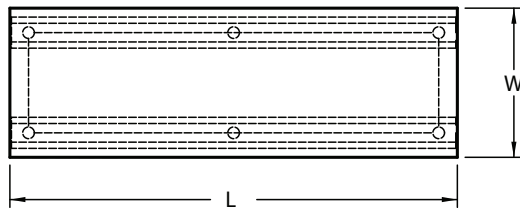
This specification describes an Elkay SSP product with design, quality and functional benefits to the user. When making a comparison of other producers' offerings, be certain these features are not overlooked.

Elkay SSP
421 N. Freya St.
Spokane, WA 99205
Phone: 800-726-0553 Fax: 509-535-1493

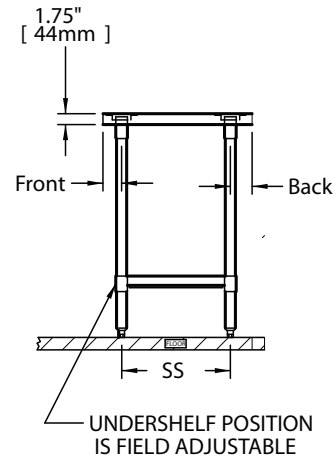
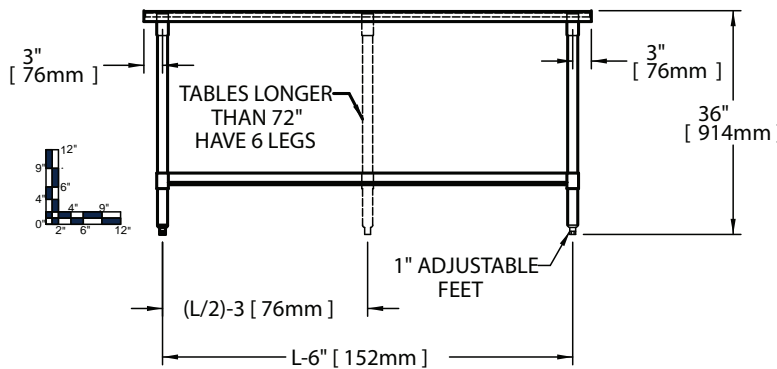
Website: www.sspinc.net
Email: sspsales@elkay.com
©2011 Elkay



Item No.: _____ Qty.: _____
 Model No.: _____
 Project No.: _____



Size of Undershef:
 Common length = subtract 6" from length
 24" Width = subtract 6.5" from width
 30" Width = subtract 7.45" from width



| 24" Work Table | | | | | 30" Work Table | | | | | Legs | | | | |
|---------------------|--------------|-------------|--------|-----|----------------|--------------|---------------------|--------|------|------|-----|-----|-----|---|
| Model Number | Overall Size | | Weight | | Model Number | Overall Size | | Weight | | | | | | |
| | Length L | Height H | lbs. | kg | | Length L | Height H | lbs. | kg | | | | | |
| | in. | mm | in. | mm | | in. | mm | in. | mm | lbs. | kg | | | |
| WT 24 S 30 - STS X | 30 | 762 | 36 | 914 | 91 | 41 | WT 30 S 30 - STS X | 30 | 762 | 36 | 914 | 102 | 46 | 4 |
| WT 24 S 36 - STS X | 36 | 914 | 36 | 914 | 99 | 45 | WT 30 S 36 - STS X | 36 | 914 | 36 | 914 | 111 | 50 | 4 |
| WT 24 S 48 - STS X | 48 | 1219 | 36 | 914 | 121 | 55 | WT 30 S 48 - STS X | 48 | 1219 | 36 | 914 | 134 | 61 | 4 |
| WT 24 S 60 - STS X | 60 | 1524 | 36 | 914 | 147 | 67 | WT 30 S 60 - STS X | 60 | 1524 | 36 | 914 | 164 | 75 | 4 |
| WT 24 S 72 - STS X | 72 | 1829 | 36 | 914 | 168 | 76 | WT 30 S 72 - STS X | 72 | 1829 | 36 | 914 | 188 | 85 | 4 |
| WT 24 S 84 - STS X | 84 | 2134 | 36 | 914 | 205 | 93 | WT 30 S 84 - STS X | 84 | 2134 | 36 | 914 | 228 | 104 | 6 |
| WT 24 S 96 - STS X | 96 | 2438 | 36 | 914 | 228 | 104 | WT 30 S 96 - STS X | 96 | 2438 | 36 | 914 | 253 | 115 | 6 |
| WT 24 S 108 - STS X | 108 | 2743 | 36 | 914 | 257 | 117 | WT 30 S 108 - STS X | 108 | 2743 | 36 | 914 | 285 | 130 | 6 |
| WT 24 S 120 - STS X | 120 | 3048 | 36 | 914 | 280 | 127 | WT 30 S 120 - STS X | 120 | 3048 | 36 | 914 | 310 | 141 | 6 |

