

Item No.:	_____	Qty.:	_____
Model No.:	_____		
Project No.:	_____		



Standard Series Work Table

Standard Work Table, Backsplash with Stainless Steel Undershef

24"

30"

- WT24S30-BSX
- WT24S36-BSX
- WT24S48-BSX
- WT24S60-BSX
- WT24S72-BSX
- WT24S84-BSX
- WT24S96-BSX
- WT24S108-BSX
- WT24S120-BSX

- WT30S30-BSX
- WT30S36-BSX
- WT30S48-BSX
- WT30S60-BSX
- WT30S72-BSX
- WT30S84-BSX
- WT30S96-BSX
- WT30S108-BSX
- WT30S120-BSX

Features

- 16 Gauge, 300 series stainless steel
- 4" backsplash with 1" return
- Welded construction for consistent metal gauge thickness throughout
- Sound deadened between top and bottom hat channels with double sided tape
- 1-5/8" Stainless steel legs and feet, adjustable up to 1"
- Fully adjustable stainless steel undershef
- Shipped knocked down for reduced shipping costs and supplied with Allen wrench and screws

Options

- Custom Height (if less than 36")
- Cutout in Top (depending on size and location)
- Overshelves
- Undershelves
- Drawers
- Casters / Feet Upgrade

* For additional available options, contact Elkay SSP

Materials

- **Top:** 16 Gauge, 300 series stainless steel, 1-3/4" turned-down edge
- **Legs:** 1-5/8" Diameter heavy gauge stainless steel tubing with stainless steel leg gussets and stainless steel feet, adjustable up to 1"
- **Undershef:** 18 Gauge, 400 series stainless steel, 1-1/2" turned-down edge, fully adjustable

Flyer Product



AUTOQUOTES



In keeping with our policy of continuing product improvement, Elkay SSP reserves the right to change product specifications without notice.

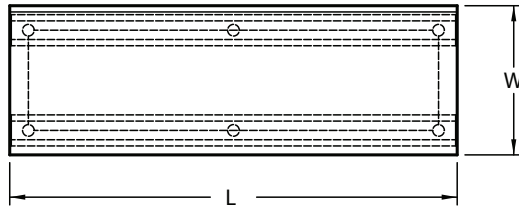
This specification describes an Elkay SSP product with design, quality and functional benefits to the user. When making a comparison of other producers' offerings, be certain these features are not overlooked.

Elkay SSP
421 N. Freya St.
Spokane, WA 99205
Phone: 800-726-0553 Fax: 509-535-1493

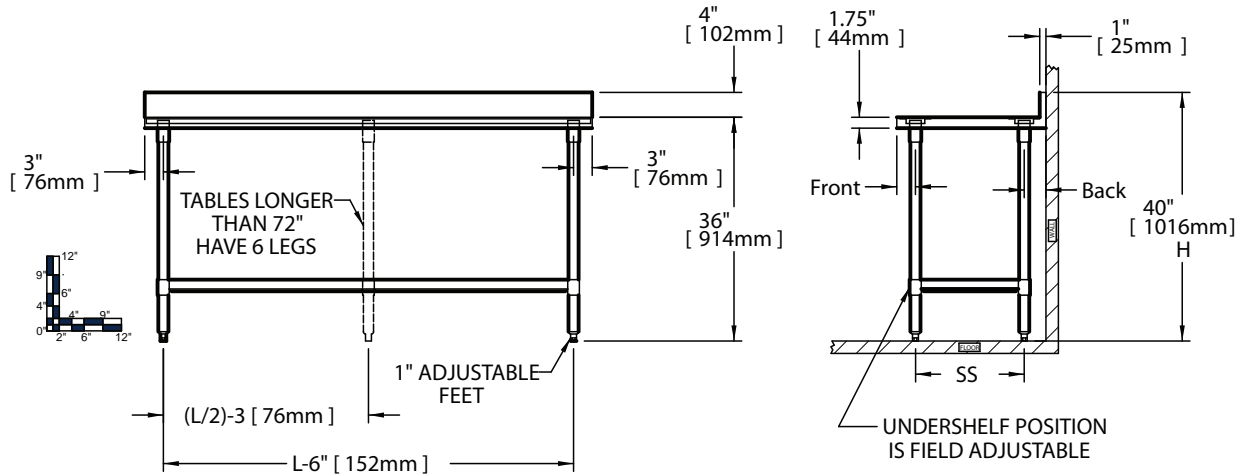
Website: www.sspinc.net
Email: sspsales@elkay.com
©2011 Elkay



Item No.: _____ Qty.: _____
 Model No.: _____
 Project No.: _____



Size of Undershef:
 Common length = subtract 6" from length
 24" Width = subtract 6.5" from width
 30" Width = subtract 7.45" from width



24" Work Table					30" Work Table					Legs				
Model Number	Overall Size		Weight		Model Number	Overall Size		Weight						
	Length L	Height H	lbs.	kg		Length L	Height H	lbs.	kg					
	in.	mm	in.	mm		in.	mm	in.	mm	lbs.	kg			
WT 24 S 30 - BS X	30	762	40	1016	91	41	WT 30 S 30 - BS X	30	762	40	1016	104	47	4
WT 24 S 36 - BS X	36	914	40	1016	102	46	WT 30 S 36 - BS X	36	914	40	1016	114	52	4
WT 24 S 48 - BS X	48	1219	40	1016	124	56	WT 30 S 48 - BS X	48	1219	40	1016	138	63	4
WT 24 S 60 - BS X	60	1524	40	1016	151	69	WT 30 S 60 - BS X	60	1524	40	1016	167	76	4
WT 24 S 72 - BS X	72	1829	40	1016	173	79	WT 30 S 72 - BS X	72	1829	40	1016	192	87	4
WT 24 S 84 - BS X	84	2134	40	1016	210	95	WT 30 S 84 - BS X	84	2134	40	1016	233	106	6
WT 24 S 96 - BS X	96	2438	40	1016	233	106	WT 30 S 96 - BS X	96	2438	40	1016	258	117	6
WT 24 S 108 - BS X	108	2743	40	1016	263	120	WT 30 S 108 - BS X	108	2743	40	1016	291	132	6
WT 24 S 120 - BS X	120	3048	40	1016	286	130	WT 30 S 120 - BS X	120	3048	40	1016	317	144	6

