

Item No.:	_____	Qty.:	_____
Model No.:	_____		
Project No.:	_____		



Standard Series Work Table

Standard Work Table, Flat Top with Galvanized Crossbracing

24"

30"

- WT24X30-STGX
- WT24X36-STGX
- WT24X48-STGX
- WT24X60-STGX
- WT24X72-STGX
- WT24X84-STGX
- WT24X96-STGX
- WT24X108-STGX
- WT24X120-STGX

- WT30X30-STGX
- WT30X36-STGX
- WT30X48-STGX
- WT30X60-STGX
- WT30X72-STGX
- WT30X84-STGX
- WT30X96-STGX
- WT30X108-STGX
- WT30X120-STGX

Features

- 16 Gauge, 300 series stainless steel
- Welded construction for consistent metal gauge thickness throughout
- Sound deadened between top and bottom hat channels with double sided tape
- 1-5/8" Galvanized legs with high impact plastic feet, adjustable up to 1" feet
- Adjustable galvanized crossbracing
- Shipped knocked down for reduced shipping costs and supplied with Allen wrench and screw

Options

- Custom Height (if less than 36")
- Cutout in Top (depending on size and location)
- Overshelves
- Undershelves
- Drawers
- Casters / Feet Upgrade

* For additional available options, contact Elkay SSP

Materials

- **Top:** 16 Gauge, 300 series stainless steel, 1-3/4" turned down edge
- **Legs:** 1-5/8" Diameter heavy gauge galvanized tubing with galvanized leg gussets and high impact plastic feet, adjustable up to 1"
- **Crossbracing:** 1-1/4" Diameter, galvanized steel, adjustable

Flyer Product



AUTOQUOTES



In keeping with our policy of continuing product improvement, Elkay SSP reserves the right to change product specifications without notice.

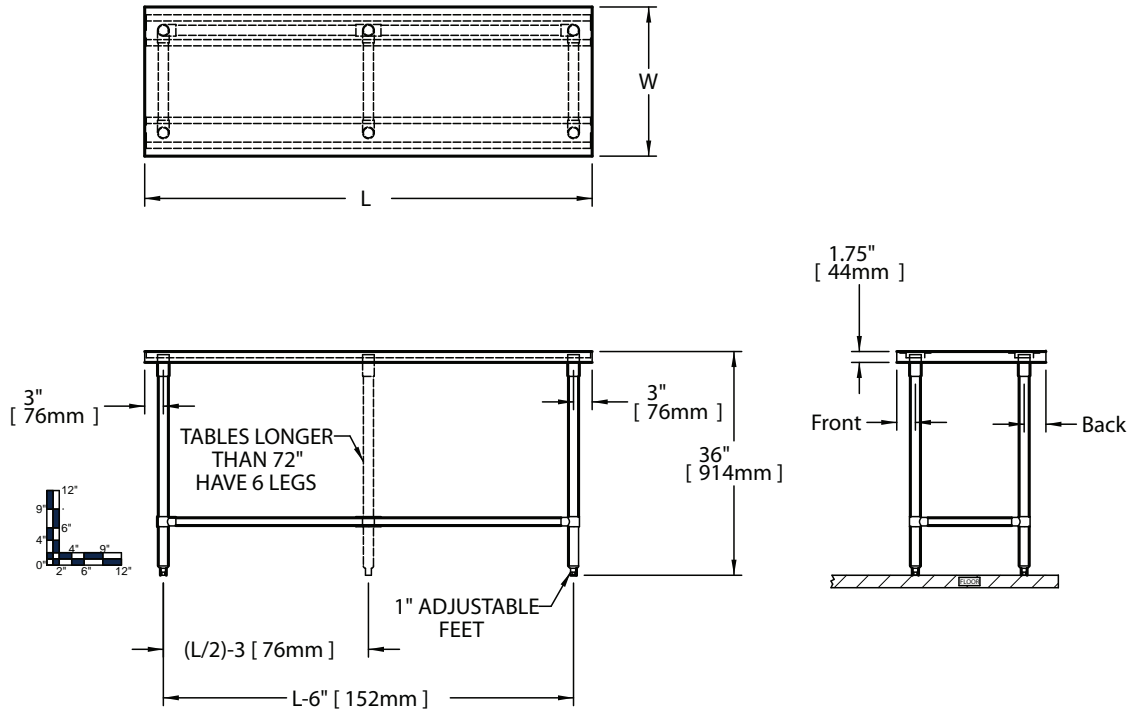
This specification describes an Elkay SSP product with design, quality and functional benefits to the user. When making a comparison of other producers' offerings, be certain these features are not overlooked.

Elkay SSP
421 N. Freya St.
Spokane, WA 99205
Phone: 800-726-0553 Fax: 509-535-1493

Website: www.sspinc.net
Email: sspsales@elkay.com
©2011 Elkay



Item No.: _____ Qty.: _____
 Model No.: _____
 Project No.: _____



24" Work Table					30" Work Table					Legs				
Model Number	Overall Size		Weight		Model Number	Overall Size		Weight						
	Length L	Height H	lbs.	kg		Length L	Height H	lbs.	kg					
	in.	mm	in.	mm		in.	mm	in.	mm	lbs.	kg			
WT 24 X 30 -STG X	30	762	36	914	75	34	WT 30 X 30 -STG X	30	762	36	914	85	39	4
WT 24 X 36 -STG X	36	914	36	914	85	39	WT 30 X 36 -STG X	36	914	36	914	94	43	4
WT 24 X 48 -STG X	48	1219	36	914	102	46	WT 30 X 48 -STG X	48	1219	36	914	112	51	4
WT 24 X 60 -STG X	60	1524	36	914	124	56	WT 30 X 60 -STG X	60	1524	36	914	136	62	4
WT 24 X 72 -STG X	72	1829	36	914	142	65	WT 30 X 72 -STG X	72	1829	36	914	155	70	4
WT 24 X 84 -STG X	84	2134	36	914	175	80	WT 30 X 84 -STG X	84	2134	36	914	190	86	6
WT 24 X 96 -STG X	96	2438	36	914	193	88	WT 30 X 96 -STG X	96	2438	36	914	210	95	6
WT 24 X 108 -STG X	108	2743	36	914	219	100	WT 30 X 108 -STG X	108	2743	36	914	237	108	6
WT 24 X 120 -STG X	120	3048	36	914	238	108	WT 30 X 120 -STG X	120	3048	36	914	257	117	6

