

Item No.:	_____	Qty.:	_____
Model No.:	_____		
Project No.:	_____		

Standard Series Work Table

Standard Work Table, Backsplash with Stainless Steel Undershef



24"

30"

36"

- | | | |
|--------------------------------------|--------------------------------------|--------------------------------------|
| <input type="checkbox"/> WT24S30-BS | <input type="checkbox"/> WT30S30-BS | <input type="checkbox"/> WT36S36-BS |
| <input type="checkbox"/> WT24S36-BS | <input type="checkbox"/> WT30S36-BS | <input type="checkbox"/> WT36S48-BS |
| <input type="checkbox"/> WT24S48-BS | <input type="checkbox"/> WT30S48-BS | <input type="checkbox"/> WT36S60-BS |
| <input type="checkbox"/> WT24S60-BS | <input type="checkbox"/> WT30S60-BS | <input type="checkbox"/> WT36S72-BS |
| <input type="checkbox"/> WT24S72-BS | <input type="checkbox"/> WT30S72-BS | <input type="checkbox"/> WT36S84-BS |
| <input type="checkbox"/> WT24S84-BS | <input type="checkbox"/> WT30S84-BS | <input type="checkbox"/> WT36S96-BS |
| <input type="checkbox"/> WT24S96-BS | <input type="checkbox"/> WT30S96-BS | <input type="checkbox"/> WT36S108-BS |
| <input type="checkbox"/> WT24S108-BS | <input type="checkbox"/> WT30S108-BS | <input type="checkbox"/> WT36S120-BS |
| <input type="checkbox"/> WT24S120-BS | <input type="checkbox"/> WT30S120-BS | |

Features

- 16 Gauge, 300 series stainless steel
- 4" backsplash with 1" return
- Welded construction for consistent metal gauge thickness throughout
- Sound deadened between top and bottom hat channels with double sided tape
- 1-5/8" Stainless steel legs and feet, adjustable up to 1"
- Fully adjustable stainless steel undershef
- Shipped knocked down for reduced shipping costs and supplied with Allen wrench and screws

Options

- Custom Size / Height
- Cutout in Top (depending on size and location)
- Edge Modification
- Urn Trough
- Overshelves
- Undershelves
- Drawers
- Sink
- Splash
- Base Options
- Welded Set-Up
- Casters / Feet Upgrade

* For additional available options, contact Elkay SSP

Materials

- **Top:** 16 Gauge, 300 series stainless steel, 1-3/4" turned-down edge
- **Legs:** 1-5/8" Diameter heavy gauge stainless steel tubing with stainless steel leg gussets and stainless steel feet, adjustable up to 1"
- **Undershef:** 18 Gauge, 400 series stainless steel, 1-1/2" turned-down edge, fully adjustable



AUTOQUOTES



In keeping with our policy of continuing product improvement, Elkay SSP reserves the right to change product specifications without notice.

This specification describes an Elkay SSP product with design, quality and functional benefits to the user. When making a comparison of other producers' offerings, be certain these features are not overlooked.

Elkay SSP

421 N. Freya St.
Spokane, WA 99205
Phone: 800-726-0553 Fax: 509-535-1493

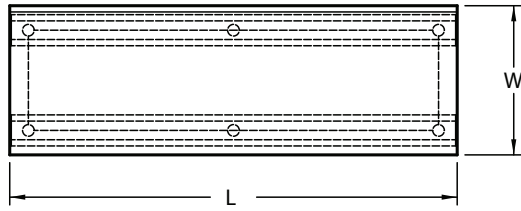
Website: www.sspinc.net
Email: sspsales@elkay.com
©2011 Elkay



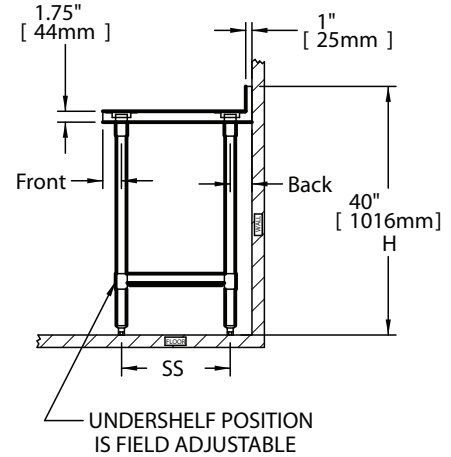
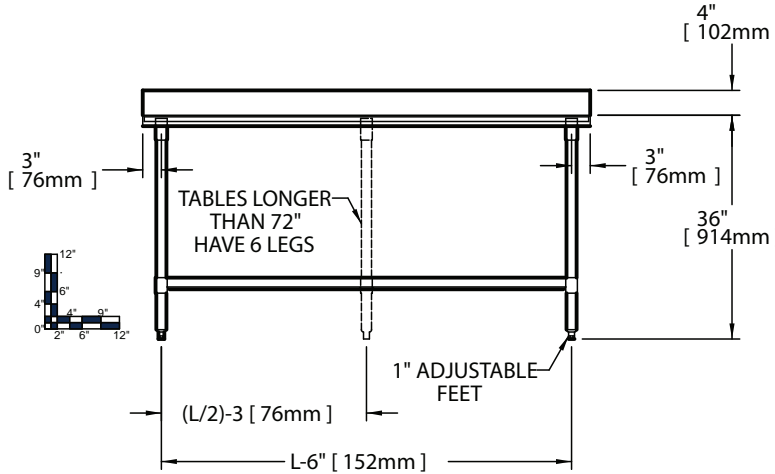
Item No.: _____ Qty.: _____

Model No.: _____

Project No.: _____



Size of Undershef:
 Common length = subtract 6" from length
 24" Width = subtract 6.5" from width
 30" Width = subtract 7.45" from width
 36" Width = subtract 10" from width



24" Work Table					30" Work Table					36" Work Table					Legs
Model Number	Overall Size		Weight		Model Number	Overall Size		Weight		Model Number	Overall Size		Weight		
	Length L	Height H				Length L	Height H				Length L	Height H			
	in.	mm	lbs.	kg		in.	mm	lbs.	kg		in.	mm	lbs.	kg	
WT 24 S 30 - BS	30	762	91	41	WT 30 S 30 - BS	30	762	104	47					4	
WT 24 S 36 - BS	36	914	102	46	WT 30 S 36 - BS	36	914	114	52	WT 36 S 36 - BS	36	914	129	59	4
WT 24 S 48 - BS	48	1219	124	56	WT 30 S 48 - BS	48	1219	138	63	WT 36 S 48 - BS	48	1219	157	71	4
WT 24 S 60 - BS	60	1524	151	69	WT 30 S 60 - BS	60	1524	167	76	WT 36 S 60 - BS	60	1524	192	87	4
WT 24 S 72 - BS	72	1829	173	79	WT 30 S 72 - BS	72	1829	192	87	WT 36 S 72 - BS	72	1829	220	100	4
WT 24 S 84 - BS	84	2134	210	95	WT 30 S 84 - BS	84	2134	233	106	WT 36 S 84 - BS	84	2134	265	120	6
WT 24 S 96 - BS	96	2438	233	106	WT 30 S 96 - BS	96	2438	258	117	WT 36 S 96 - BS	96	2438	295	134	6
WT 24 S 108 - BS	108	2743	263	120	WT 30 S 108 - BS	108	2743	291	132	WT 36 S 108 - BS	108	2743	332	151	6
WT 24 S 120 - BS	120	3048	286	130	WT 30 S 120 - BS	120	3048	317	144	WT 36 S 120 - BS	120	3048	362	165	6

* Custom sizes also available

