

Item No.:	_____	Qty.:	_____
Model No.:	_____		
Project No.:	_____		

Standard Series Work Table

Standard Work Table, Flat Top with Galvanized Crossbracing



24"

30"

36"

- | | | |
|---------------------------------------|---------------------------------------|---------------------------------------|
| <input type="checkbox"/> WT24X30-STG | <input type="checkbox"/> WT30X30-STG | <input type="checkbox"/> WT36X36-STG |
| <input type="checkbox"/> WT24X36-STG | <input type="checkbox"/> WT30X36-STG | <input type="checkbox"/> WT36X48-STG |
| <input type="checkbox"/> WT24X48-STG | <input type="checkbox"/> WT30X48-STG | <input type="checkbox"/> WT36X60-STG |
| <input type="checkbox"/> WT24X60-STG | <input type="checkbox"/> WT30X60-STG | <input type="checkbox"/> WT36X72-STG |
| <input type="checkbox"/> WT24X72-STG | <input type="checkbox"/> WT30X72-STG | <input type="checkbox"/> WT36X84-STG |
| <input type="checkbox"/> WT24X84-STG | <input type="checkbox"/> WT30X84-STG | <input type="checkbox"/> WT36X96-STG |
| <input type="checkbox"/> WT24X96-STG | <input type="checkbox"/> WT30X96-STG | <input type="checkbox"/> WT36X108-STG |
| <input type="checkbox"/> WT24X108-STG | <input type="checkbox"/> WT30X108-STG | <input type="checkbox"/> WT36X120-STG |
| <input type="checkbox"/> WT24X120-STG | <input type="checkbox"/> WT30X120-STG | |

Features

- 16 Gauge, 300 series stainless steel
- Welded construction for consistent metal gauge thickness throughout
- Sound deadened between top and bottom hat channels with double sided tape
- 1-5/8" Galvanized legs with high impact plastic feet, adjustable up to 1"
- Adjustable galvanized crossbracing
- Shipped knocked down for reduced shipping costs and supplied with Allen wrench and screw

Options

- Custom Size / Height
- Cutout in Top (depending on size and location)
- Edge Modification
- Urn Trough
- Overshelves
- Undershelves
- Drawers
- Sink
- Splash
- Base Options
- Welded Set-Up
- Casters / Feet Upgrade

* For additional available options, contact Elkay SSP

Materials

- **Top:** 16 Gauge, 300 series stainless steel, 1-3/4" turned down edge
- **Legs:** 1-5/8" Diameter heavy gauge galvanized tubing with galvanized leg gussets and high impact plastic feet, adjustable up to 1"
- **Crossbracing:** 1-1/4" Diameter, galvanized steel, adjustable



AUTOQUOTES



In keeping with our policy of continuing product improvement, Elkay SSP reserves the right to change product specifications without notice.

This specification describes an Elkay SSP product with design, quality and functional benefits to the user. When making a comparison of other producers' offerings, be certain these features are not overlooked.

Elkay SSP

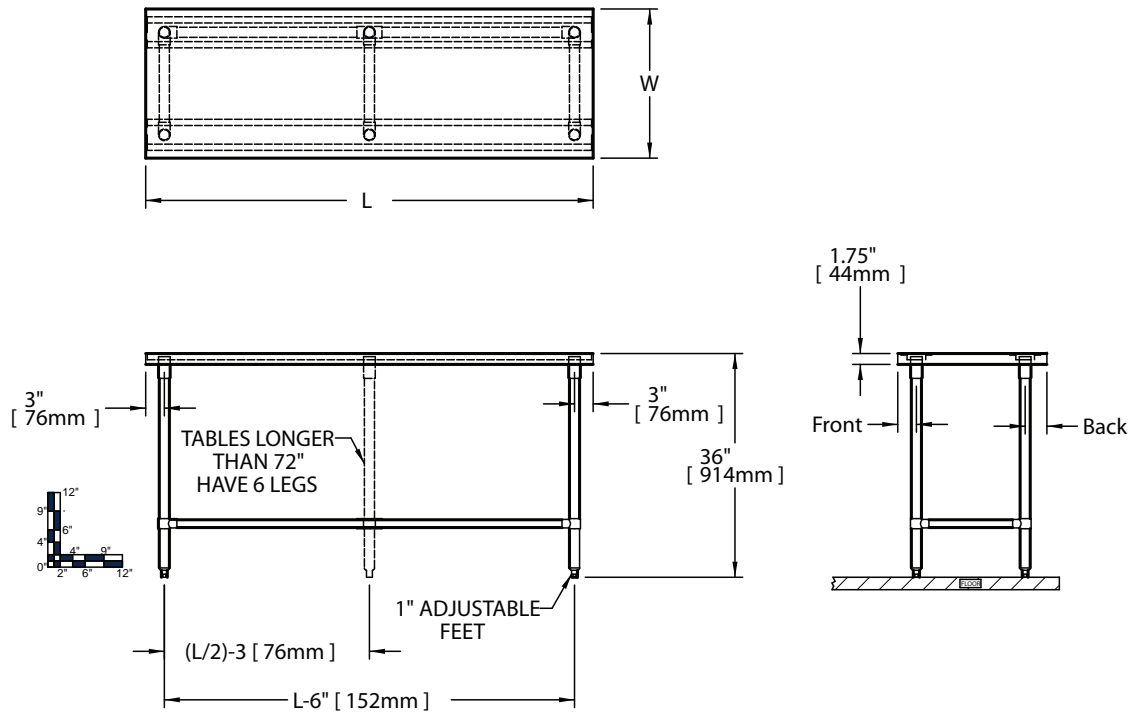
421 N. Freya St.
Spokane, WA 99205
Phone: 800-726-0553 Fax: 509-535-1493

Website: www.sspinc.net
Email: sspsales@elkay.com

©2011 Elkay



Item No.: _____ Qty.: _____
 Model No.: _____
 Project No.: _____



24" Work Table				30" Work Table				36" Work Table				Legs		
Model Number	Overall Size		Weight	Model Number	Overall Size		Weight	Model Number	Overall Size		Weight			
	Length	Height			Length	Height			Length	Height				
	L	H		L	H		L	H		L	H			
	in.	mm	lbs. kg		in.	mm	lbs. kg		in.	mm	lbs. kg			
WT 24 X 30 -STG	30	762	36 914	75 34	WT 30 X 30 -STG	30	762	36 914	85 39				4	
WT 24 X 36 -STG	36	914	36 914	85 39	WT 30 X 36 -STG	36	914	36 914	94 43	WT 36 X 36 -STG	36	914	107 49	4
WT 24 X 48 -STG	48	1219	36 914	102 46	WT 30 X 48 -STG	48	1219	36 914	112 51	WT 36 X 48 -STG	48	1219	128 58	4
WT 24 X 60 -STG	60	1524	36 914	124 56	WT 30 X 60 -STG	60	1524	36 914	136 62	WT 36 X 60 -STG	60	1524	155 70	4
WT 24 X 72 -STG	72	1829	36 914	142 65	WT 30 X 72 -STG	72	1829	36 914	155 70	WT 36 X 72 -STG	72	1829	177 80	4
WT 24 X 84 -STG	84	2134	36 914	175 80	WT 30 X 84 -STG	84	2134	36 914	190 86	WT 36 X 84 -STG	84	2134	216 98	6
WT 24 X 96 -STG	96	2438	36 914	193 88	WT 30 X 96 -STG	96	2438	36 914	210 95	WT 36 X 96 -STG	96	2438	238 108	6
WT 24 X 108 -STG	108	2743	36 914	219 100	WT 30 X 108 -STG	108	2743	36 914	237 108	WT 36 X 108 -STG	108	2743	269 122	6
WT 24 X 120 -STG	120	3048	36 914	238 108	WT 30 X 120 -STG	120	3048	36 914	257 117	WT 36 X 120 -STG	120	3048	292 133	6

