

Item No.:	_____	Qty.:	_____
Model No.:	_____		
Project No.:	_____		

## Standard Series Work Table

Standard Work Table, Flat Top with Stainless Steel Crossbracing



24"

30"

36"

- |                                       |                                       |                                       |
|---------------------------------------|---------------------------------------|---------------------------------------|
| <input type="checkbox"/> WT24X30-ST5  | <input type="checkbox"/> WT30X30-ST5  |                                       |
| <input type="checkbox"/> WT24X36-ST5  | <input type="checkbox"/> WT30X36-ST5  | <input type="checkbox"/> WT36X36-ST5  |
| <input type="checkbox"/> WT24X48-ST5  | <input type="checkbox"/> WT30X48-ST5  | <input type="checkbox"/> WT36X48-ST5  |
| <input type="checkbox"/> WT24X60-ST5  | <input type="checkbox"/> WT30X60-ST5  | <input type="checkbox"/> WT36X60-ST5  |
| <input type="checkbox"/> WT24X72-ST5  | <input type="checkbox"/> WT30X72-ST5  | <input type="checkbox"/> WT36X72-ST5  |
| <input type="checkbox"/> WT24X84-ST5  | <input type="checkbox"/> WT30X84-ST5  | <input type="checkbox"/> WT36X84-ST5  |
| <input type="checkbox"/> WT24X96-ST5  | <input type="checkbox"/> WT30X96-ST5  | <input type="checkbox"/> WT36X96-ST5  |
| <input type="checkbox"/> WT24X108-ST5 | <input type="checkbox"/> WT30X108-ST5 | <input type="checkbox"/> WT36X108-ST5 |
| <input type="checkbox"/> WT24X120-ST5 | <input type="checkbox"/> WT30X120-ST5 | <input type="checkbox"/> WT36X120-ST5 |

### Features

- 16 Gauge, 300 series stainless steel
- Welded construction for consistent metal gauge thickness throughout
- Sound deadened between top and bottom hat channels with double sided tape
- 1-5/8" Stainless steel legs and feet, adjustable up to 1"
- Adjustable galvanized crossbracing
- Shipped knocked down for reduced shipping costs and supplied with Allen wrench and screw

### Options

- Custom Size / Height
- Cutout in Top (depending on size and location)
- Edge Modification
- Urn Trough
- Overshelves
- Undershelves
- Drawers
- Sink
- Splash
- Base Options
- Welded Set-Up
- Casters / Feet Upgrade

\* For additional available options, contact Elkay SSP

### Materials

- **Top:** 16 Gauge, 300 series stainless steel, 1-3/4" turned-down edge
- **Legs:** 1-5/8" Diameter heavy gauge stainless steel tubing with stainless steel leg gussets and stainless steel feet adjustable up to 1"
- **Crossbracing:** 1-1/4" Diameter, stainless steel, adjustable



**AUTOQUOTES**



In keeping with our policy of continuing product improvement, Elkay SSP reserves the right to change product specifications without notice.

This specification describes an Elkay SSP product with design, quality and functional benefits to the user. When making a comparison of other producers' offerings, be certain these features are not overlooked.

#### Elkay SSP

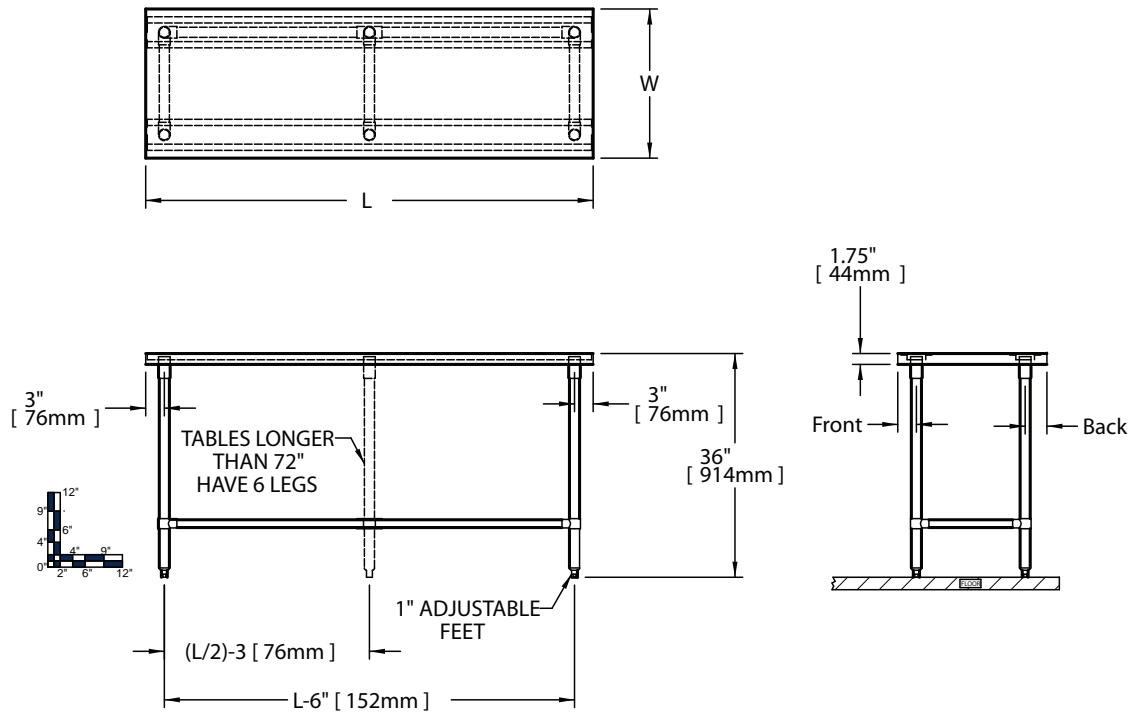
421 N. Freya St.  
Spokane, WA 99205  
Phone: 800-726-0553 Fax: 509-535-1493

Website: [www.sspinc.net](http://www.sspinc.net)  
Email: [sspsales@elkay.com](mailto:sspsales@elkay.com)

©2011 Elkay



Item No.: \_\_\_\_\_ Qty.: \_\_\_\_\_  
 Model No.: \_\_\_\_\_  
 Project No.: \_\_\_\_\_



24" Work Table				30" Work Table				36" Work Table				Legs			
Model Number	Overall Size		Weight	Model Number	Overall Size		Weight	Model Number	Overall Size		Weight				
	Length L	Height H			Length L	Height H			Length L	Height H					
	in.	mm	lbs.   kg		in.	mm	lbs.   kg		in.	mm	lbs.   kg				
WT 24 X 30 - STS	30	762	36   914	76   35	WT 30 X 30 - STS	30	762	36   914	86   39				4		
WT 24 X 36 - STS	36	914	36   914	86   39	WT 30 X 36 - STS	36	914	36   914	95   43	WT 36 X 36 - STS	36	914	36   914	108   49	4
WT 24 X 48 - STS	48	1219	36   914	103   47	WT 30 X 48 - STS	48	1219	36   914	113   51	WT 36 X 48 - STS	48	1219	36   914	129   59	4
WT 24 X 60 - STS	60	1524	36   914	125   57	WT 30 X 60 - STS	60	1524	36   914	137   62	WT 36 X 60 - STS	60	1524	36   914	156   71	4
WT 24 X 72 - STS	72	1829	36   914	143   65	WT 30 X 72 - STS	72	1829	36   914	156   71	WT 36 X 72 - STS	72	1829	36   914	178   81	4
WT 24 X 84 - STS	84	2134	36   914	176   80	WT 30 X 84 - STS	84	2134	36   914	191   87	WT 36 X 84 - STS	84	2134	36   914	217   99	6
WT 24 X 96 - STS	96	2438	36   914	194   88	WT 30 X 96 - STS	96	2438	36   914	211   96	WT 36 X 96 - STS	96	2438	36   914	239   109	6
WT 24 X 108 - STS	108	2743	36   914	220   100	WT 30 X 108 - STS	108	2743	36   914	238   108	WT 36 X 108 - STS	108	2743	36   914	270   123	6
WT 24 X 120 - STS	120	3048	36   914	239   109	WT 30 X 120 - STS	120	3048	36   914	258   117	WT 36 X 120 - STS	120	3048	36   914	293   133	6

\* Custom sizes also available

