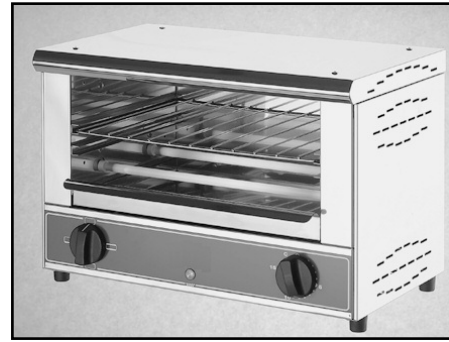




TOASTER OVEN

CONCEPT

- Ideal for melting, warming and toasting
- One or two shelf snack toasters feature top and bottom infra-red heat
- 15-minute timer for controlled operation with a continuous mode
- Compact footprint
- Stainless steel exterior and interior construction
- One or two wire racks and crumb tray included
- Open-style models furnished with heat-resistant removable rack handles
- TS327 has removable heat shield at top compartment



BAR-100 120 or 208/240 V



BAR-200 120 or 208/240 V



TS-127 208/240 V



BAR-106/1 120 V



TS-327 208/240 V



BAR-206/1 120 V

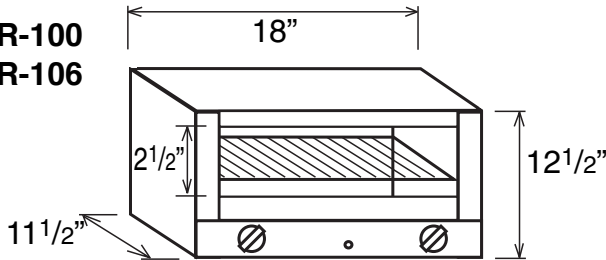


765 WESTMINSTER STREET PROVIDENCE, RI 02903
 TEL: (401)273-3300 FAX: (401)273-3328 E-mail: sales@equipex.com
 www.equipex.com

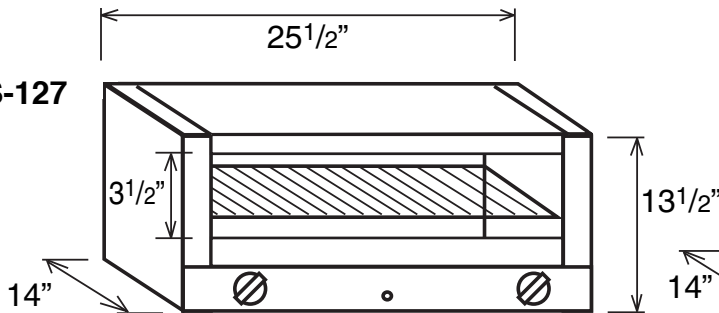


TOASTER OVENS

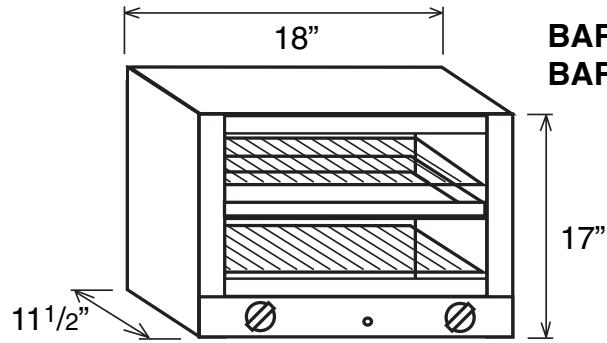
**BAR-100
BAR-106**



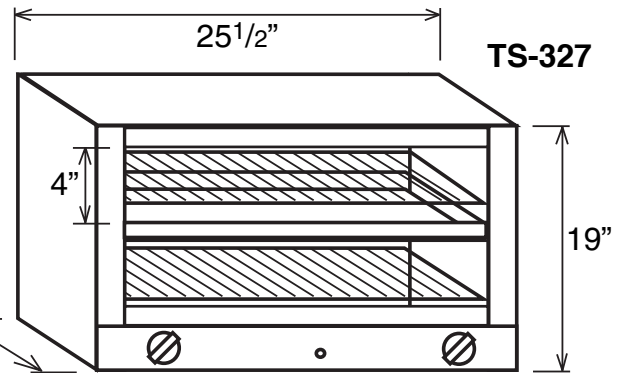
TS-127



**BAR-200
BAR-206**



TS-327



SPECIFICATIONS

- INSTALLATION CLEARANCE: 2" EACH SIDE, TOP AND BACK
- TS SERIES HAS 4" EXTENDED HANDLES IN FRONT

| MODEL | ELECTRICAL | DIMENSIONS | WORK SURFACE | SHIPPING WEIGHT | NEMA PLUG |
|-----------|-------------------------------------|--|-----------------------|-----------------|-----------|
| BAR 100/1 | 120V, 1PH 1.7KW, 14 Amps | 18"Wx11 1/2"Dx12 1/2"H | 13 3/4"x9 3/4" | 24 lbs | 5-15 P |
| BAR 100 | 208/240V, 1PH 2KW, 7/9 Amps | 18"Wx11 1/2"Dx12 1/2"H | 13 3/4"x9 3/4" | 24 lbs | 6-15 P |
| BAR 200/1 | 120V, 1PH 1.7KW, 14 Amps | 18"Wx11 1/2"Dx17"H | (2) 13 3/4"x9 3/4" | 28 lbs | 5-15 P |
| BAR 200 | 208/240V, 1PH 3KW, 11/13 Amps | 18"Wx11 1/2"Dx17"H | (2) 13 3/4"x9 3/4" | 28 lbs | 6-15 P |
| BAR 106/1 | 120V, 1PH 1.1KW; 10 Amps | 18"Wx11 1/2"Dx12 1/2"H plus 4" for handle | 13 3/4"x9 3/4" | 25 lbs | 5-15P |
| BAR 206/1 | 120V, 1PH 1.65KW, 14Amps | 18"Wx11 1/2"Dx17"H plus 4" for handle | (2) 13 3/4"x9 3/4" | 30 lbs | 5-15P |
| TS-127 | 208/240V, 1PH, 3.0KW, 11/13Amps | 25 1/2"Wx14"Dx13 1/2"H | 20"x13" | 40 lbs | 6-20P |
| TS-327 | 208/240V, 1PH, 4.8KW, 18/20 Amps | 25 1/2"Wx14"Dx19"H | (2) 20"x13" | 50 lbs | L6-30P |

WARRANTY: Limited one year parts and labor



765 WESTMINSTER STREET PROVIDENCE, RI 02903
 TEL: (401)273-3300 FAX: (401)273-3328 E-mail: sales@equipex.com
 www.equipex.com