



ADVENTYS

INDUCTION

CONCEPT

INDUCTION COOKERS FOR PROFESSIONALS

High energy efficiency (90%) and your cooking area stays cool too!

- Stainless steel casing
- Drop-in or under counter-top installation
- Easy to clean capacitive touch controls
- Superior airflow and cooling fans permit all day use
- Large induction coil for stockpots and large pans
- Automatic pan detection / power supply monitor
- Controlled high temperature feature for stir fry and sauté
- Precision low temperature control for sauces and chocolates
- Empty pan security/automatic overheating protection
- Small article protection/oil auto ignition shutoff
- Removable grease filter to clean air intake

BENGAL

DWIC 3600

208/240 V



- Heavy duty 6mm vitroceramic glass
- 11" curved coil for fast heat transfer - uniform temperature
- Control panel: on/off + (+/-) + (3) presets + 99 min. timer
- 25 power levels (25W to 3600W) + 4-digit power level display
- 14½" (36cm) dia. wok fits 11¾" (30cm) dia. wok opening

GL650, 1800 DI

120 V

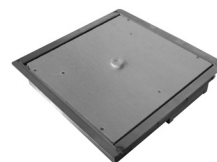


- Drop-in buffet use
- Durable 4 mm vitroceramic glass
- 7½" coil for warming or cooking
- Integral control panel:
on/off + (+/-) + power level + 99 min. timer
[9 (GL650) or 20 (GL 1800) power levels]
- Optional: Remote control panel

LEO

GL650 UC

120 V



- Designed for under counter-top buffet use
- 7½" coil for warming or cooking
- Remote Control panel:
on/off + (+/-) + display °F
- 9 power levels



LEOPARD

DRIC 2500, 3000,3600

208/240 V



- Durable 4mm vitroceramic glass
- 11"coil for fast heat transfer
- Temperature in °F or 4-digit power level display
- Integral control panel:
on/off + (+/-) + (2) presets + 99 min. timer
- 25 power levels + 110 temperature levels (86°F - 284° F)

JAGUAR

D11M or C 2500, 3000, 3600

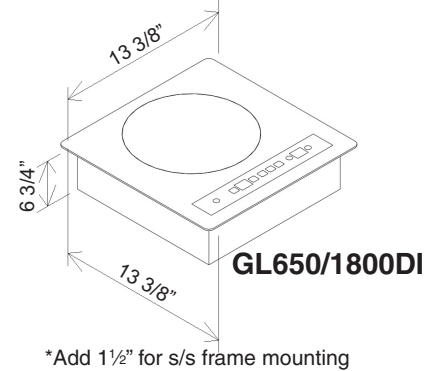
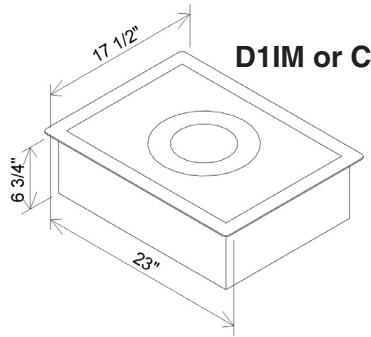
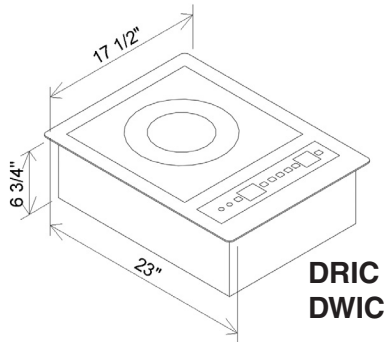
208/240 V



- Durable 4mm vitroceramic glass
- 11" coil for fast heat transfer
- Temperature in °F or 4-digit power level display
- Remote control panel:
on/off + (+/-) + (2) presets + 99 min. timer
- 25 power levels + 110 temperature levels (86°F - 284° F)
- Optional knob controls (D11M):
knob + 4-digit power level - 25 power levels



765 WESTMINSTER STREET PROVIDENCE, RI 02903
TEL: (401)273-3300 FAX: (401) 273-3328 E-mail: sales@equipex.com
www.equipex.com



INDUCTION TECHNOLOGY

How does it work? Induction is a basic principal of physics. When the electric current goes through a copper coil it creates a magnetic field. The pan attracts the magnetic field and creates heat. Induction technology is over **90% efficient**, therefore there is no waste of power or heat. As soon as the pan is removed, the induction unit turns off and **saves you energy**.

SPECIFICATIONS

NOTES: 1) **REQUIRES THE USE OF INDUCTION READY COOKWARE**
2) **ADD 6" CLEARANCE UNDER AND ADEQUATE VENTILATION**

MODEL	ELECTRICAL	DIMENSIONS	CUT OUT SIZE	SHIPPING WEIGHT	NEMA PLUG
DRIC 2500	208/240V, 1PH 2.5KW, 11/12 Amps	17 1/2"W x 23"D x 6 3/4"H	16 1/4"W x 21 3/4"D	27 lbs	6 - 20P
DRIC 3000	208/240V, 1PH 3.0KW, 13/15 Amps	17 1/2"W x 23"D x 6 3/4"H	16 1/4"W x 21 3/4"D	27 lbs	6 - 20P
DRIC 3600	208/240V, 1PH 3.6KW, 15/18 Amps	17 1/2"W x 23"D x 6 3/4"H	16 1/4"W x 21 3/4"D	27 lbs	L6 - 30P
D1IM/C 2500	208/240V, 1PH 2.5KW, 11/12 Amps	17 1/2"W x 23"D x 6 3/4"H	16 1/4"W x 21 3/4"D	37 lbs	6 - 20P
D1IM/C 3000	208/240V, 1PH 3.0KW, 13/15 Amps	17 1/2"W x 23"D x 6 3/4"H	16 1/4"W x 21 3/4"D	37 lbs	6 - 20P
D1IM/C 3600	208/240V, 1PH 3.6KW, 15/18 Amps	17 1/2"W x 23"D x 6 3/4"H	16 1/4"W x 21 3/4"D	37 lbs	L6 - 30P
DWIC 3600	208/240V, 1PH 3.6KW, 15/18 Amps	17 1/2"W x 23"D x 6 3/4"H	16 1/4"W x 21 3/4"D	30 lbs	L6 - 30P
GL650DI	120V, 1PH 0.65KW, 6 Amps	13 3/8"W x 13 3/8"D x 6 3/4"H (add 1 1/2" for s/s frame)	12 3/8"W x 12 3/8"D	18 lbs	5 - 15P
GL1800DI	120V, 1PH 1.8KW, 15 Amps	13 3/8"W x 13 3/8"D x 6 3/4"H (add 1 1/2" for s/s frame)	12 3/8"W x 12 3/8"	18 lbs	5 - 15P
GL650UC	120V, 1PH 0.65KW, 6 Amps	13 3/8"W x 13 3/8"D x 6 5/8"H	Remote control panel 6 1/2"W x 2"D	18 lbs	5 - 15P
D1IM Control Panel	with 5'-0" wire harness	15 3/4"W x 4 3/8"D x 3 1/8"H	14 5/8"W x 2 7/8"H	N/A	N/A
D1IC Control Panel	with 5'-0" wire harness	15 3/4"W x 4 3/8"D x 3 1/8"H	14 5/8"W x 2 7/8"H	N/A	N/A

WARRANTY: Limited three-year parts and labor on "D" series; 2 years on "GL" series