

sodir

PANINI

CONCEPT

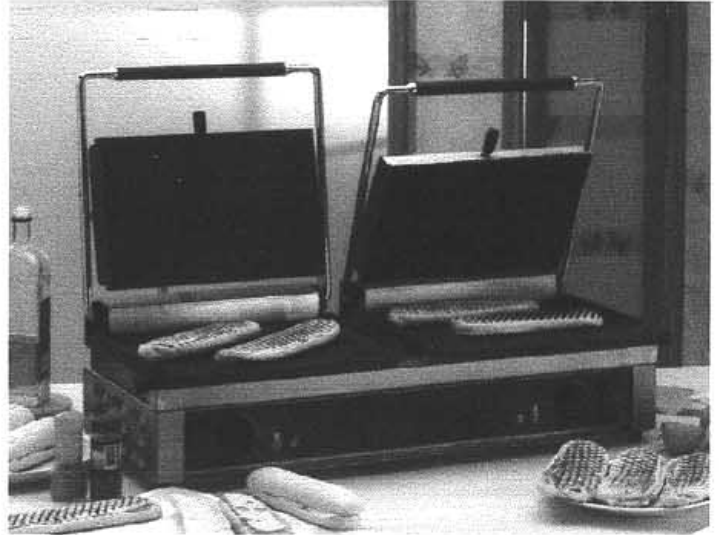
ELECTRIC PANINI GRILLS

*A complete range of panini grills
especially suited for creative food
the easy way*

- Fine grain cast iron grooved and smooth plates
- Stainless steel base for lasting service
- Adjustable spring counter balanced top
- Detachable front drip tray and scraper for convenient cleaning
- Even heat distribution through top and bottom plates
- Rapid grilling of sandwiches, meat, fish and vegetables
- Thermostatically controlled up to 570°F
- On/off switch and pilot lights for convenience and safety

208/240 V

DIABLO



OPTIONS:

- * grooved top and bottom plates
- * smooth top and bottom plates
- * smooth right top and bottom/
grooved left top and bottom
- * optional timers (2 required)

MAJESTIC

208/240 V



OPTIONS:

- * grooved top and bottom plates
- * smooth top and bottom plates
- * smooth right top and bottom/
grooved left top and bottom
- * optional timers (2 required)

PANINI

120 V

208/240 V



OPTIONS:

- * grooved top and bottom plates
- * smooth bottom/ grooved top
plates
- * smooth top and bottom plates
- * optional timer

SAVOY

120 V



OPTIONS:

- * grooved top and bottom
plates
- * smooth top and bottom plates
- * optional timer



EQUIPEX LTD.

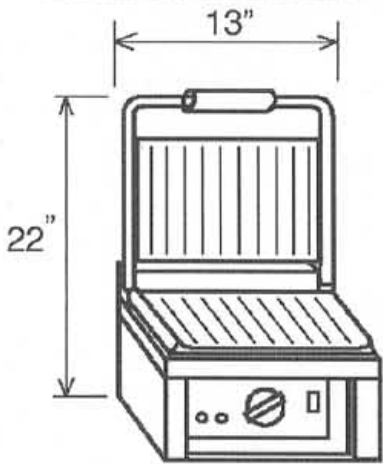
765 WESTMINSTER STREET PROVIDENCE, RI 02903

TEL: (401)273-3300 FAX: (401)273-3328 E-mail: sales@equipex.com

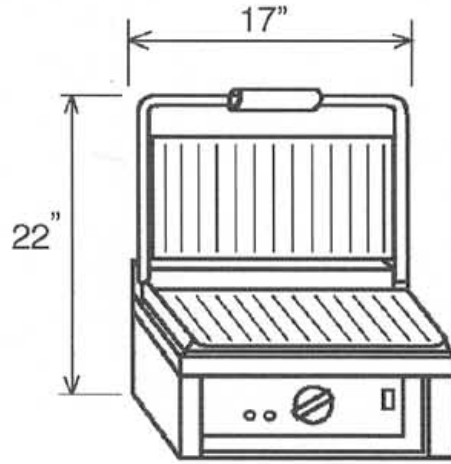
www.equipex.com

sodir

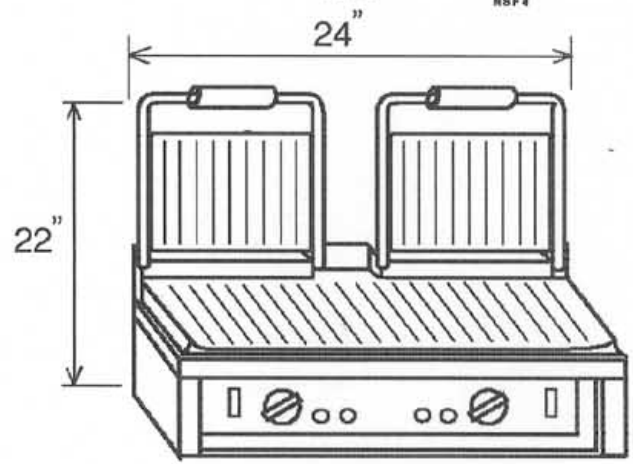
ELECTRIC PANINI GRILLS



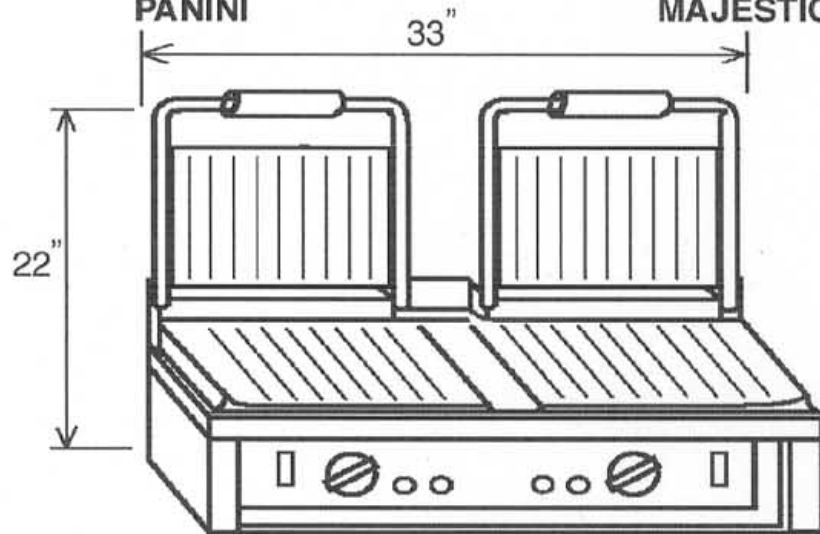
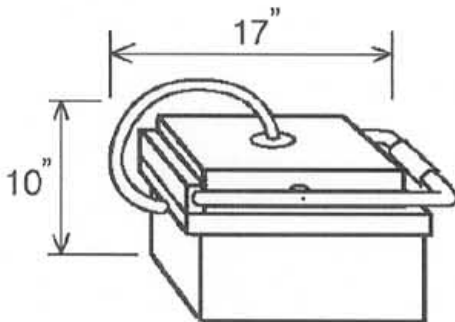
SAVOY



PANINI



MAJESTIC



DIABLO

SPECIFICATIONS

INSTALLATION CLEARANCE: 2" EACH SIDE

MODEL	ELECTRICAL	DIMENSIONS	WORK SURFACE	SHIPPING WEIGHT	NEMA PLUG
DIABLO	208/240V, 1PH 6KW, 25/29 Amps	33"Wx17"Dx22"H	14"Wx9 1/2"D two (2)	115 lbs	6-50 P
MAJESTIC	208/240V, 1PH 4KW, 16/18 Amps	24"Wx17"Dx22"H	21"Wx9 1/2"D	80 lbs	L6-30 P
PANINI	120V, 1.75KW, 14 Amps 208/240V, 1PH, 3KW, 12/14 Amps	17"Wx17"Dx22"H	14"Wx9 1/2"D	59 lbs	5-15 P 6-15 P
SAVOY	120V, 1.75KW, 14 Amps	13"Wx17"Dx22"H	10"Wx9 1/2"D	45 lbs	5-15 P

WARRANTY: Limited one year parts and labor

765 WESTMINSTER STREET PROVIDENCE, RI 02903
 TEL: (401)273-3300 FAX: (401)273-3328 E-mail: sales@equipex.com
 www.equipex.com